



cromox[®]
THE NEW DIMENSION OF STAINLESS

cromox
CDAW 2/3-6

Grade 60 Swivel Lifting Point, shot blasted finish **CDAW**

cromox[®] products are manufactured by KETTEN WÄLDER in Germany using the highest quality of corrosion resistant raw materials. They select the highest and purest materials and manufacture all products on the most modern machinery.

The **cromox**[®] range of products use the highest levels of design, materials, and manufacturing processes to produce the best performing products for use in the harshest environments.

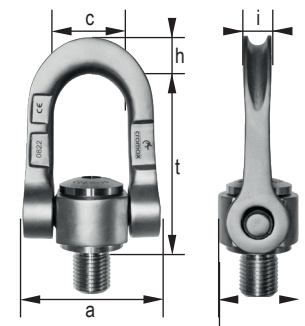
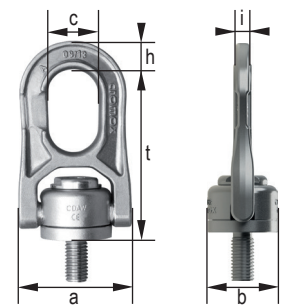
cromox[®] products are durable and with controlled levels of Chromium and Nickel it produces a passive layer of chromium oxide that increases the corrosion resistance.

Our stringent testing procedures ensure our products are manufactured to the highest quality. This makes us the market leaders in product development for stainless steel lifting products.

KETTEN WÄLDER are Lloyds Register approved manufacturers with LR certified proofing Laboratory and full members of LEEA.

Grade 60 Swivel Lifting Point, shot blasted finish

Type	WLL (t)	Dimensions (mm)						Thread	Thread Length	Weight (kg. approx.)
		a	b	c	h	i	t			
CDAW 05	0.50	66	42	31.0	16.5	11.0	100	M 10	15	0.500
CDAW 1	1.00	66	42	31.0	16.5	11.0	100	M 14	20	0.500
CDAW 2	2.00	100	50	53.5	26.0	20.5	127	M 20	30	1.770
CDAW 3	3.00	100	50	53.5	26.0	20.5	127	M 27	40	1.840
CDAW 5	5.00	120	60	64.0	31.5	26.0	146	M 36	54	3.500
CDAW 8	8.00	150	85	80.5	38.5	30.0	180	M 42	62	6.550
CDAW 10	10.00	171	98	92.5	44.0	35.0	207	M 48	72	9.620



Material	
D-ring	AISI 318LN
Weld-on block	AISI 316L