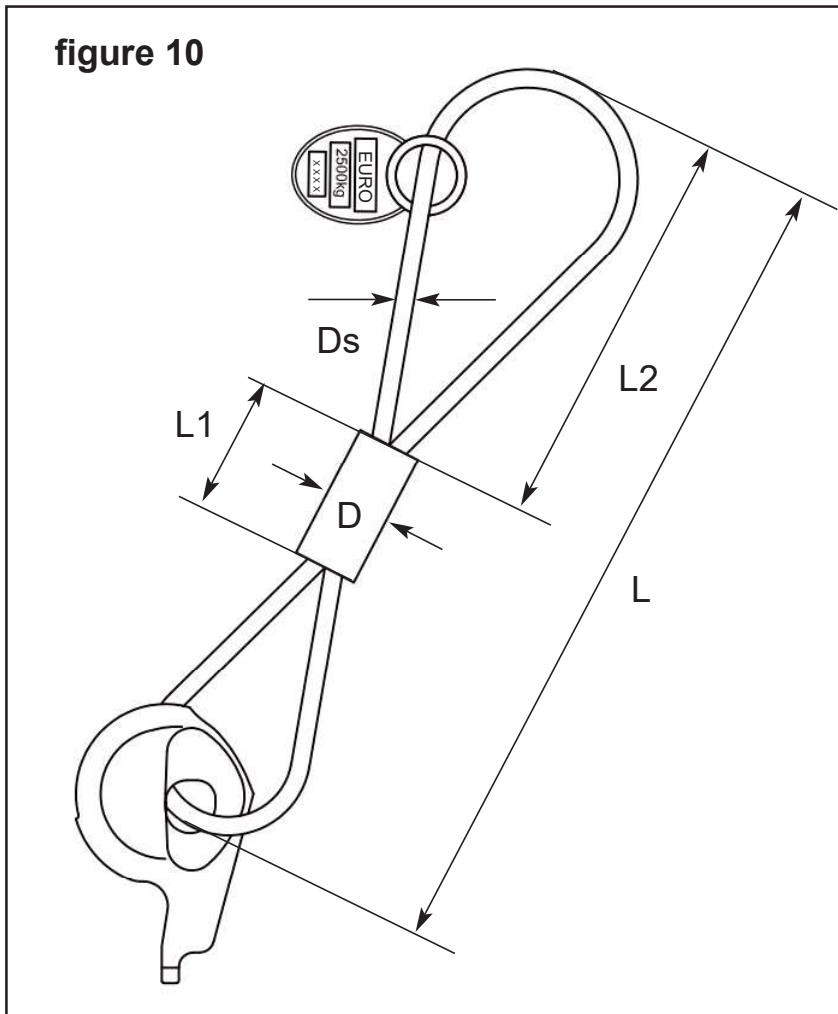


## Combination Anchor Pin Ring Clutches



The Combination Ring Clutch is similar in specification to the standard Pin Anchor Ring Clutch, but supplied with a wire rope lifting chain attachment. The wire rope offers greater flexibility when lifting elements with edges that may come into contact with the Ring Clutch chain attachment link. Minimising the potential cosmetic damage of the concrete.

**table 20**  
Pin Anchor Combination Ring Clutch Dimensions

Load Capacity (tonnes)	L (mm)	L1 (mm)	L2 (mm)	D (mm)	Ds (mm)
1.3	320	60	150	17.0	8
2.5	560	105	250	28.0	14
5.0	690	155	300	37.5	18
10.0	1100	200	500	54.0	26

### Routine Inspection and Retirement

Pin Anchor Ring Clutches & Combination Ring Clutches should be inspected before each use by a competent person. The inspection should involve a visual check for obvious defects, deformation of the oval ring or lifter body, cracks and obvious excessive wear. If any of these defects are found the lifting device should be discarded. If they are bent do not bend back into shape. Use of the Ring Clutch must not commence if any of the identification markings are worn away and no longer visible.

In addition the Ring Clutch & Combination Ring Clutch should be inspected and tested by a recognised organisation at least every twelve months.