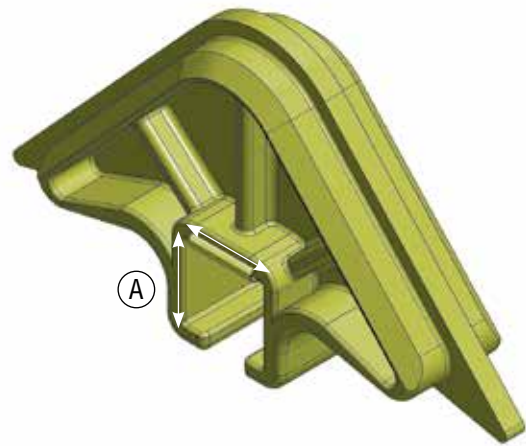
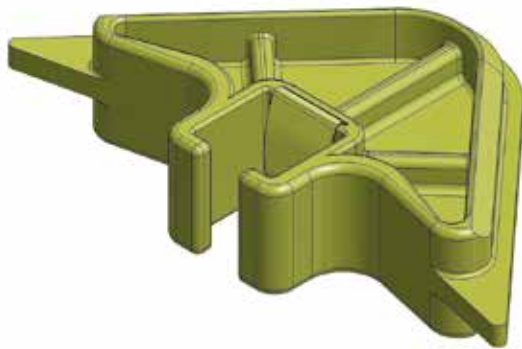


PRODUCT DATA

ORDER NO.: SFX/ACC-DRUM-CLOU-FIX-3



TECHNICAL DATA

A) Supporting arm cross section (W x H)	25 x 22 mm
Storage capacity (L x W x H)	30 x 160 x 87 mm
Weight per piece	100 g

ORDER NO.

CLOU FIX (Set = 3 pcs.) incl. carrier bag	SFX/ACC-DRUM-CLOU-FIX-3
--	-------------------------