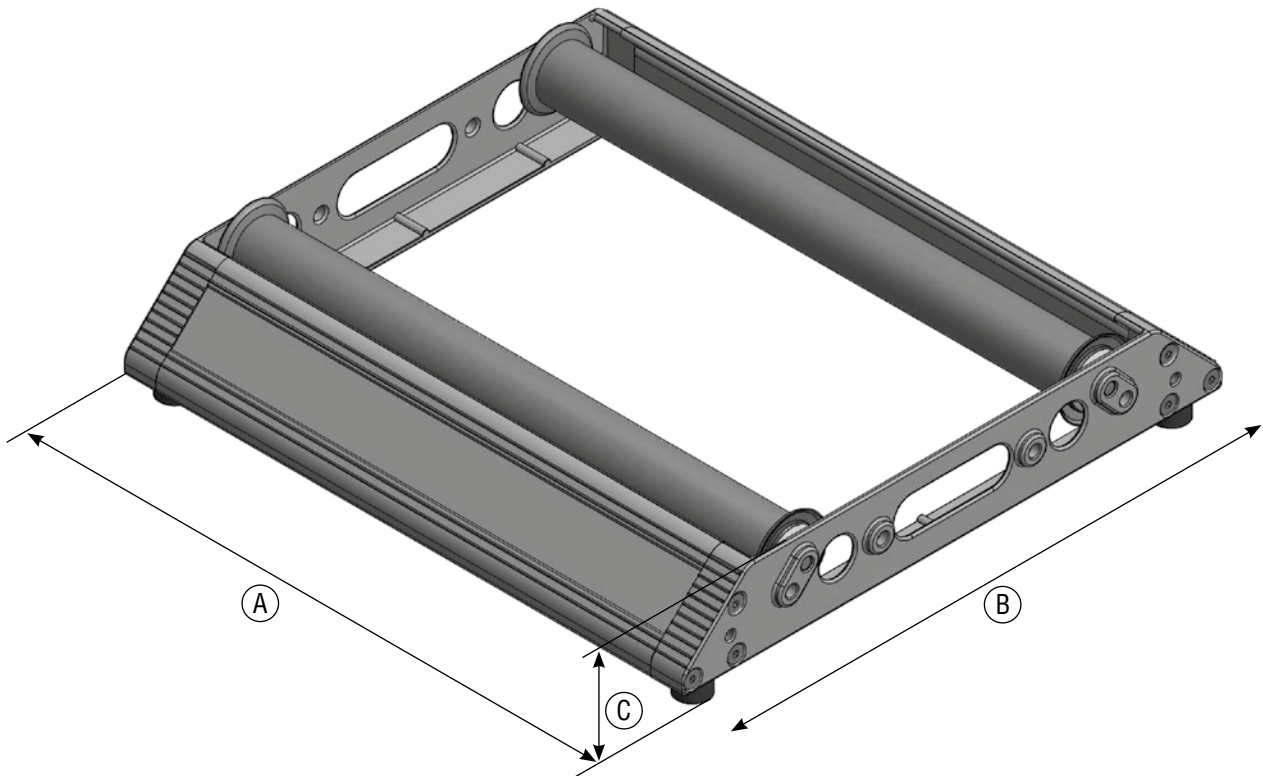


## PRODUCT DATA

ORDER NO.: SFX/ACC-DRUM-ORIGINAL-1



## TECHNICAL DATA

Load-bearing capacity	200 kg
Roller gap	90, 150, 240, 300, 330 mm
Weight without castors	7.5 kg
Max. drum width	520 mm
Max. drum $\varnothing$	1.200 mm
A) Width	550 mm
B) Length	530 mm
C) Height	100 mm

## ORDER NO.

ORIGINAL SFX/ACC-DRUM-ORIGINAL-1

## ACCESSORIES

CASTORS (set = 4 pcs.) SFX/ACC-DRUM-SPARE-CASTOR-4