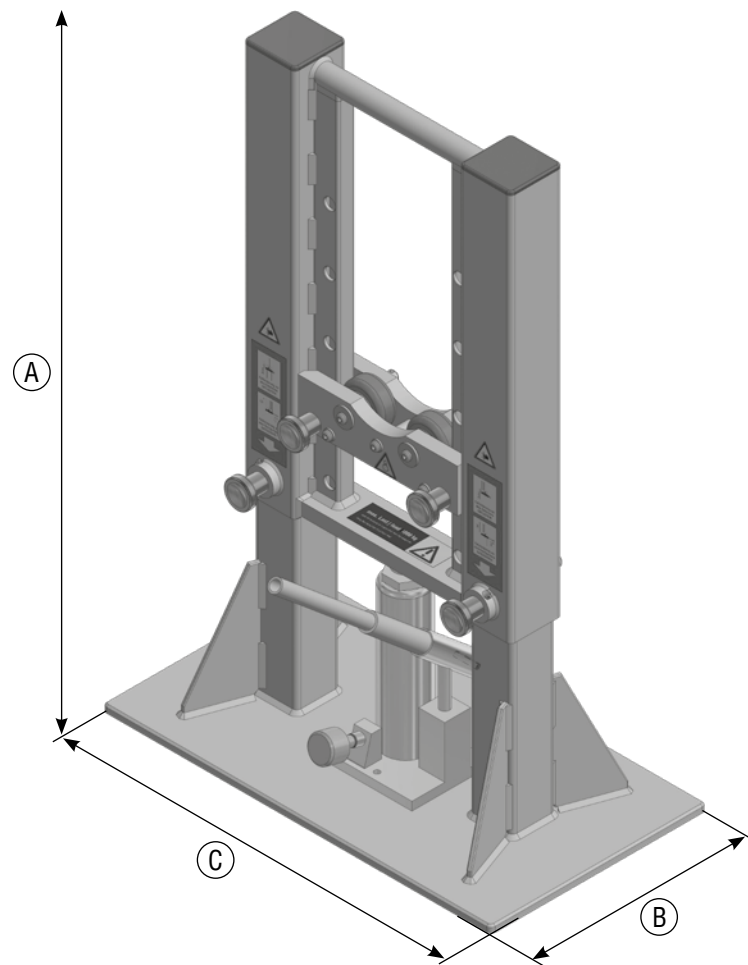


PRODUCT DATA

ORDER NO.: SFX/ACC-DRUM-EASYLIFT-1



TECHNICAL DATA

Max. load	2,000 kg
Max. drum \varnothing	1,200 mm
Min. drum \varnothing	600 mm
A) Height	640 mm
B) Depth	250 mm
C) Width	450 mm
Length of drum axle	1,350 mm
Max. drum width	850 mm
Weight per site	26 kg

ORDER NO.

EASYLIFT Set: SFX/ACC-DRUM-EASYLIFT-1

- two side parts
- one drum axle 1,350 mm
- one Set centering cones \varnothing 95 mm

ACCESSORIES

Drum axle 1,500 mm SFX/ACC-DRUM-SPARE-AXLEL1500JUMBO-1