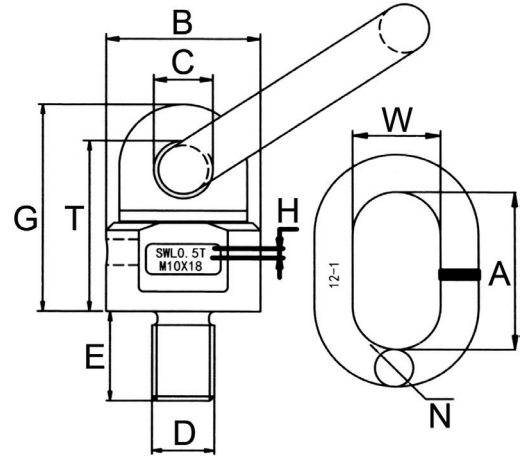
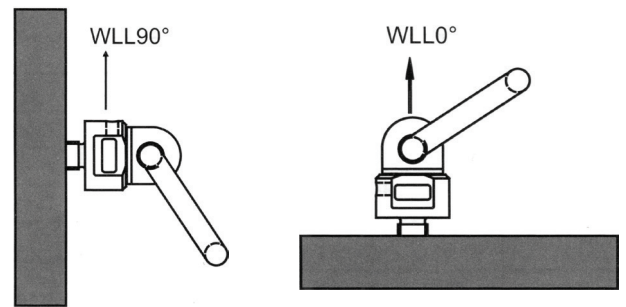


## G80 Swivel Lifting Points



- Swivel Lifting Points Short & Long Thread
- Short thread diameters from 8mm-36mm
- Long thread diameters from 13mm-120mm
- Can be used at 90° (See loading chart)
- Supplied fully tested & certified



Product Code	DxE mm	WLL		B mm	C mm	G mm	T mm	A mm	W mm	N mm	N.W kg
		0°	90°								
25259	M8x13	0.60	0.30	36	15	51	41	55	30	13	0.41
25260	M10x18	0.90	0.45	36	15	51	41	55	30	13	0.43
25261	M12x18	1.00	0.50	36	15	51	41	55	30	13	0.45
25261-45	M12x45	1.00	0.50	36	15	51	41	55	30	13	0.47
25261-110	M12x110	1.00	0.50	36	15	51	41	55	30	13	0.53
25262	M16x20	2.00	1.12	36	15	52	42	55	30	13	0.46
25262-40	M16x40	2.00	1.12	36	15	52	42	55	30	13	0.48
25262-120	M16x120	2.00	1.12	36	15	52	42	55	30	13	0.60
25263	M20x30	4.00	2.00	49.5	19	68	56	70	35	16	0.96
25263-120	M20x120	4.00	2.00	49.5	19	68	56	70	35	16	1.17
25264	M24x30	6.30	3.15	57	22	78	65.5	85	40	18	1.45
25264-90	M24x90	6.30	3.15	57	22	78	65.5	85	40	18	1.66
25264-120	M24x120	6.30	3.15	57	22	78	65.5	85	40	18	1.74
25266	M30x35	10.60	5.30	66	23.5	96.5	80.5	85	40	20	2.17
25266-120	M30x120	10.60	5.30	66	23.5	96.5	80.5	85	40	20	2.60
25268	M36x50	11.80	8.00	80	27	109	89.5	115	50	22	3.60
25268-120	M36x120	11.80	8.00	80	27	109	89.5	115	50	22	4.25