



# **GUARD USER INSTRUCTIONS**





**(Original Instructions)**

**Instrucciones para el usuario  
Instructions d'utilisation  
Gebruikersinstructies  
Istruzioni per l'utilizzatore  
Bedienungsanleitungen**

**GUARD150G, GUARD150S  
GUARD300G, GUARD300S  
GUARD500G, GUARD500S,  
GUARD800S, GUARD1000G  
& GUARD1500G**



**UK  
CA**  

 [www.guardloadarrest.com](http://www.guardloadarrest.com)  
 [hello@guardloadarrest.com](mailto:hello@guardloadarrest.com)  
 +44 (0) 1691 671 675  
 Mile Oak Industrial Estate, Maesbury Road,  
Oswestry, Shropshire, SY10 8GA UK

EN

ES

FR

NL

IT

DE

# Language

English	2
Español	12
Français	22
Nederlands	32
Italiano	42
Deutsch	52

## 1. Overview

Guard load arrestors are a range of products designed and manufactured by Globestock Limited in the United Kingdom.

Guard load arrestors are retractable load arrestors, specifically designed to arrest the fall of a load if the primary hoist mechanism suspending the load fails. A shock absorbing brake mechanism within the Guard load arrestor helps prevent damage to the load during an arrest. Guard load arrestors can mitigate the risk of injury, death or damage occurring if the primary hoist mechanism suspending the load fails.

Each of the Guard load arrestors covered by this manual are specified in Appendix A and illustrated below.

## 2. Caution

Guard load arrestors must be used according to the manufacturer's instructions. Failure to do so could result in serious injury or death. Guard load arrestors cannot be used to secure personnel.

Use of a Guard load arrestor does not remove the responsibility to inspect and maintain the primary hoist mechanism according to the manufacturer's instructions and any relevant legislation or regulation. A formal assessment of the installation, inspection schedule, maintenance schedule and any identified risks must be undertaken by a competent person prior to using Guard load arrestors.

A procedure to recover the load in the event of an arrest must be defined and documented by a competent person, prior to using Guard load arrestors. The potential fall path beneath the load must be kept clear.

## 3. Identification



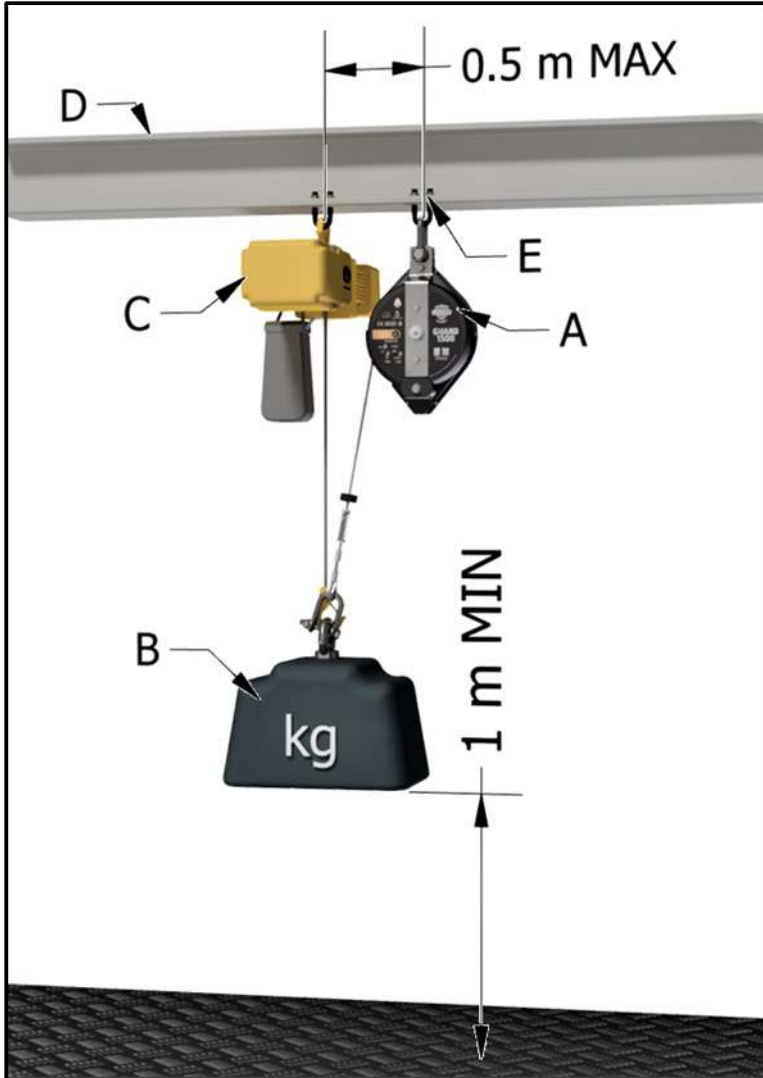
<b>A</b>	<b>Pre-Use Inspections</b>		
i	Visually inspect Guard load arrestor	ii	Check load indicator
iii	Visually inspect wire rope	iv	Check arrest mechanism
<b>B</b>	<b>Additional Information</b>		
i	Read instructions	ii	Minimum anchor strength
iii	Maximum working load	iv	CE Machinery Directive / SMSR / UKCA
v	UKCA Supply of Machinery (Safety) Regulations 2008		
<b>C</b>	<b>Product Information</b>		
i	Product name	ii.	Product logo
<b>D</b>	<b>Manufacturer Information</b>		

## 4. Installation

Guard load arrestors must be installed by a competent person.

Appropriate personal protective equipment (PPE) must be worn when installing Guard load arrestors. If you have any doubts about any aspect of the installation, contact the manufacturer or an approved distributor for clarification. Consider using lifting aids when installing heavy equipment.

# 4.1. Single Hoist Installation

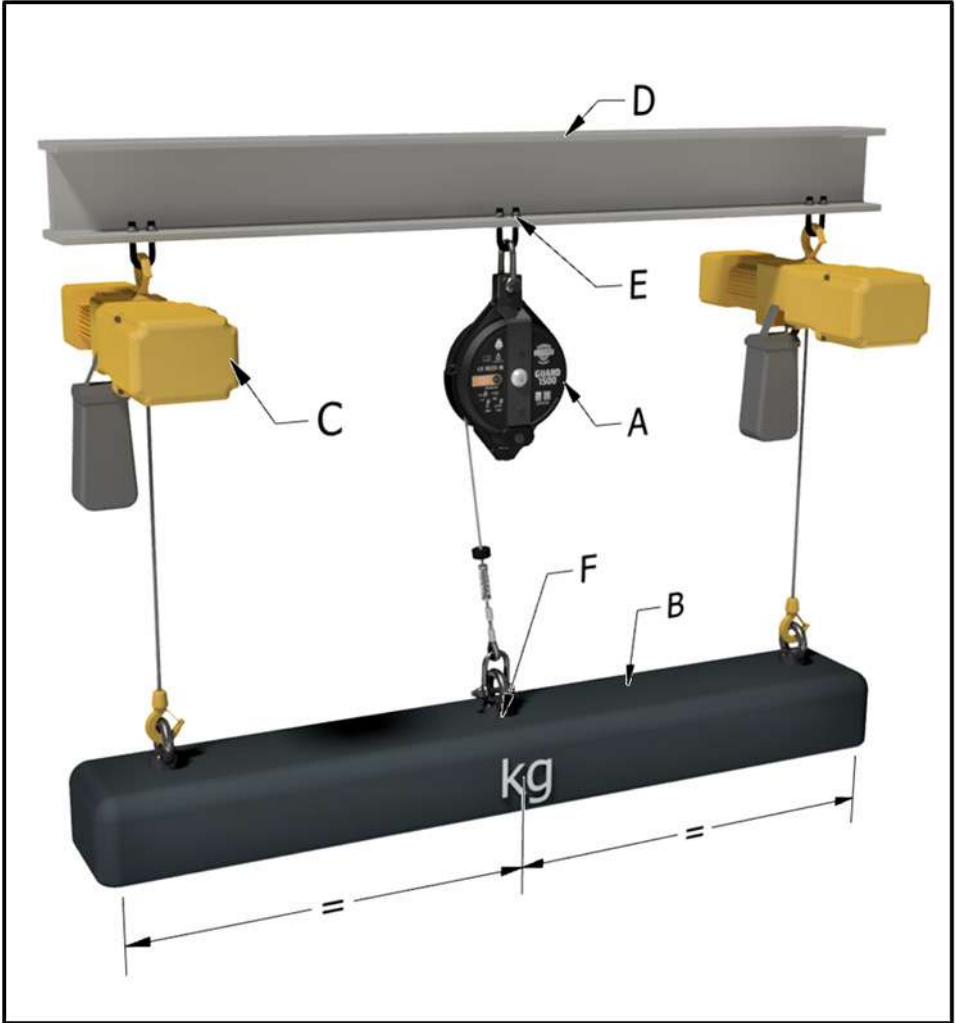


## Key

A	Guard Load Arrestor
B	Load
C	Primary Hoist Mechanism
D	Support Beam
E	Anchor Point

- A. Connect the Guard load arrestor to an anchor point by its anchorage shackle.**
- i. Ensure the rope exit on the Guard load arrestor faces towards the primary hoist mechanism.
  - ii. Ensure the anchorage shackle nut is fastened completely. ***Do not overtighten or crush the anchorage shackle.***
  - iii. Ensure the anchor point of the Guard load arrestor is no more than 0.5 metres from the anchor point of the primary hoist mechanism.
  - iv. Keep the Guard load arrestor perpendicular to the primary hoist mechanism to minimise twisting and wear.
  - v. The minimum strength requirements for the anchor point are specified in Appendix A of this manual.
- B. Conduct pre-use inspections as described in Section 5 of this manual.**
- C. Connect the Guard's wire rope shackle to the load connector.**
- i. Ensure the Guard's wire rope shackle nut is fastened completely. ***Do not overtighten or crush the Guard's wire rope shackle.***
  - ii. ***Do not attach the Guard's wire rope shackle to the hoist hook.***
  - iii. The minimum strength requirements for the anchor point specified in Appendix A also apply to the load connector.
  - iv. For loads with an evenly distributed mass, the load connector must be positioned at the central point of the load.
  - v. For loads with an unevenly distributed mass, the load connector must be positioned in line with the load's centre of gravity.
  - vi. The red marker, one metre from the anchor point of the rope to the unit, should not be visible outside the unit.
- D. Ensure there is a minimum of 1 metre between the suspended load and any personnel, sensitive equipment, or obstructions underneath it. Additional clearance should be provided where possible.**

## 4.2. Multiple Hoist Installation

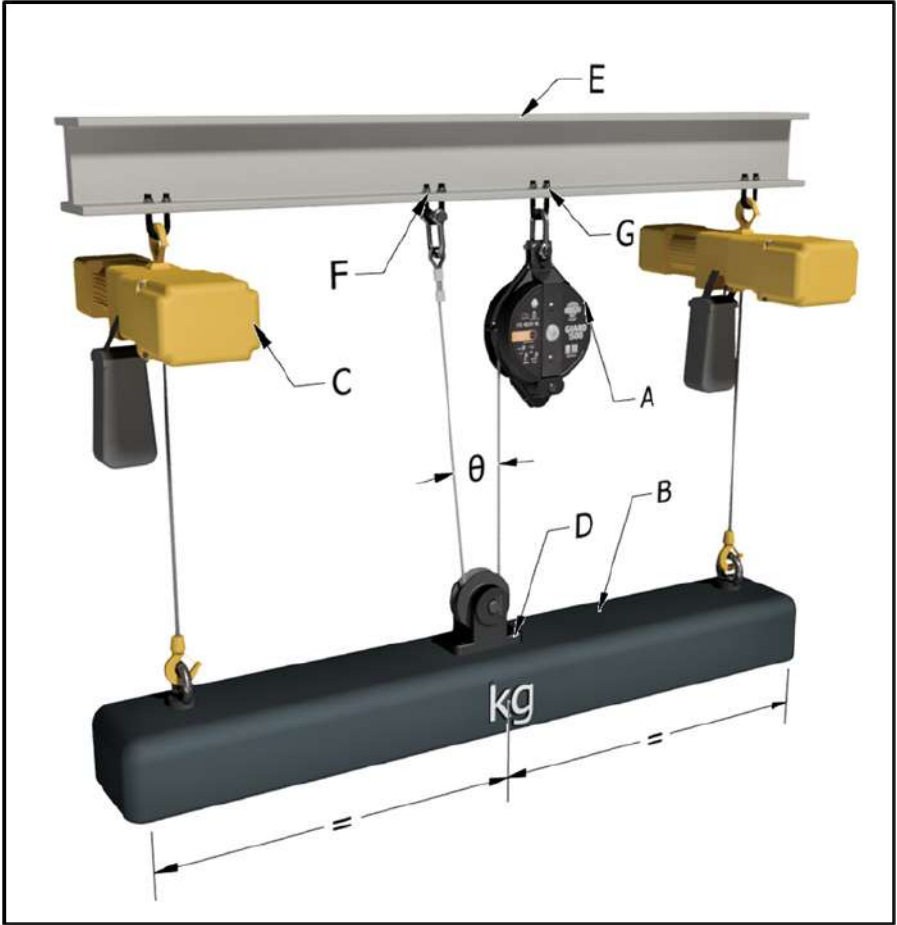


## Key

A	Guard Load Arrestor
B	Load
C	Primary Hoist Mechanism
D	Support Beam
E	Anchor Point
F	Load Connector

- A. Connect the Guard load arrestor to an anchor point by its anchorage shackle.**
- i. Position the Guard load arrestor and anchor point directly above the proposed load connector point.
  - ii. Ensure the anchorage shackle nut is fastened completely. ***Do not overtighten or crush the anchorage shackle.***
  - iii. Keep the Guard load arrestor perpendicular to the primary hoist mechanism to minimise twisting and wear.
  - iv. The minimum strength requirements for the anchor point are specified in Appendix A of this manual.
- B. Conduct pre-use inspections as described in Section 5 of this manual.**
- C. Connect the Guard's wire rope shackle to the load connector.**
- i. Ensure the Guard's wire rope shackle nut is fastened completely. ***Do not overtighten or crush the Guard's wire rope shackle.***
  - ii. The minimum strength requirements for the anchor point specified in Appendix A also apply to the load connector.
  - iii. For loads with an evenly distributed mass, the load connector must be positioned at the central point of the load
  - iv. For loads with an unevenly distributed mass, the load connector must be positioned in line with the load's centre of gravity.
  - v. The red marker, one metre from the anchor point of the rope to the unit, should not be visible outside the unit.
- D. Ensure there is a minimum of 1 metre between the suspended load and any personnel, sensitive equipment, or obstructions underneath it. Additional clearance should be provided where possible.**

## 4.3. Pulley Connector Installation



Key

A	Guard Load Arrestor
B	Load
C	Primary Hoist Mechanism
D	Pulley Connector
E	Support Beam
F	Secondary Anchor Point
G	Anchor Point

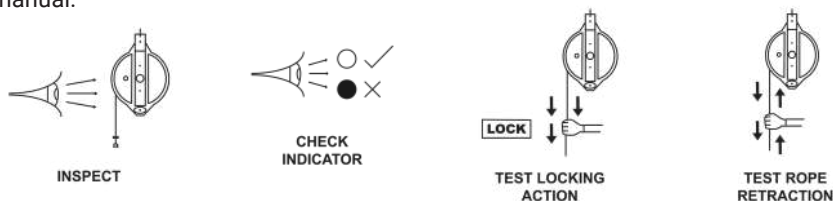


- A. Connect the Guard load arrestor to an anchor point by its anchorage shackle.**
- i. Position the Guard load arrestor and anchor point directly above the proposed load connector point.
  - ii. Ensure the anchorage shackle nut is fastened completely. **Do not overtighten or crush the anchorage shackle.**
  - iii. Keep the Guard load arrestor perpendicular to the primary hoist mechanism to minimise twisting and wear.
  - iv. The minimum strength requirements for the anchor point are specified in Appendix A of this manual.
- B. Conduct pre-use inspections as described in Section 5 of this manual.**
- C. Connect the Guard's wire rope shackle to the load connector.**
- i. Extract the wire rope, feed it underneath the pulley connector or sheave and double it back up to fasten to a secondary anchor point. **Do not attach to the same anchor point as the Guard load arrestor.**
  - ii. Ensure the Guard's wire rope shackle nut is fastened completely. **Do not overtighten or crush the Guard's wire rope shackle.**
  - iii. The minimum strength requirements for the anchor point specified in Appendix A also apply to the load connector.
  - iv. For loads with an evenly distributed mass, the load connector must be positioned at the central point of the load.
  - v. For loads with an unevenly distributed mass, the load connector must be positioned in line with the load's centre of gravity.
  - vi. When in use, the angle  $\theta$  must remain between  $0^\circ$  and  $45^\circ$ .
  - vii. The red marker, one metre from the anchor point of the rope to the unit, should not be visible outside the unit.
- D. Ensure there is a minimum of 1 metre between the suspended load and any personnel, sensitive equipment, or obstructions underneath it. Additional clearance should be provided where possible.**
- E. Additional considerations.**
- Using a pulley connector allows the Guard load arrestor to arrest twice its maximum working load (MWL). As a result, certain speeds and forces in the system are altered.
- i. The pulley connector's strength must be twice the anchor requirements specified in Appendix A.
  - ii. The support beam must be twice the anchor requirements specified in Appendix A.
  - iii. The usable rope length will be half that specified in Appendix A.
  - iv. The maximum running speed will be half that specified in Appendix A.

# 5. Pre-Use Inspection

All Guard load arrestors must be subjected to a pre-use inspection after installation and before each subsequent use.

Pre-use inspections must be conducted by a competent person. It is good practice to keep a record of all pre-use inspections. A sample inspection record is provided in Appendix B of this manual.



Appropriate personal protective equipment (PPE) must be worn when conducting pre-use inspections.

## A. Visual Inspection of Guard Load Arrestor

- i. Inspect case for deformation or any other damage.
- ii. Confirm that all fasteners are present and secure.
- iii. Confirm load indicator lens is clearly visible and does not show red.
- iv. Confirm that all product labels are present and clearly legible.

## B. Visual Inspection of Guard Load Arrestor's Wire Rope

- i. Confirm that Guard's wire rope shackle is present and functional.
- ii. Confirm that there are no sharp edges present at the wire rope exit.
- iii. Extract all wire rope from the Guard load arrestor. **Do not let go of the wire rope.**
- iv. Confirm that there are no damaged or broken strands.
- v. Confirm that there are no signs of corrosion.
- vi. Confirm that red marker is present on the last metre of wire rope.
- vii. Slowly allow the wire rope to retract and confirm that it all retracts back into the Guard load arrestor.

## C. Arrest Mechanism

- i. Confirm arrest mechanism locks when rope is extracted quickly (by hand) from the Guard load arrestor.

Any Guard load arrestor which fails any of the above pre-use inspections must be removed from service immediately and sent to a Globestock approved service agent for maintenance.

This pre-use inspection does not replace or supersede any relevant legislative or regulatory requirements that may be in place for this type of work equipment.

## 6. Maintenance

All Guard load arrestors must undergo periodic maintenance to ensure they continue to operate safely and effectively.

Guard load arrestors must be maintained by a Globestock approved service agent at least every 12 months. Guard load arrestors may require more frequent maintenance when they are used in harsh environments.

Guard load arrestors must undergo periodic maintenance whenever they arrest a load, regardless of when they were last maintained. This maintenance does not replace or supersede any relevant legislative or regulatory requirements that may be in place for this type of equipment.

Never open a Guard unit, unless trained and explicitly authorised to do so by Globestock.

## 7. After an Arrest

A procedure to recover the load in the event of an arrest must be defined and documented by a competent person, prior to using Guard load arrestors.

The Guard load arrestor will activate and arrest the load if the primary system suspending a load fails. In this scenario, consideration must be given to the items listed below:

1. The immediate surrounding area must be cordoned off to prevent any unauthorised access near to or underneath the suspended load.
2. The suspended load must be manoeuvred to a safe area soon as possible. This could be the ground or a suitable raised platform capable of supporting the load.
3. The suspended load must be lifted slightly to allow the wire rope to retract and disengage the brake mechanism.
4. Additional wire rope can be extracted from Guard once the brake mechanism has been disengaged.
5. In certain circumstances, it is possible for the wire rope to bind onto the rope drum inside the Guard and prevent any extraction / retraction of wire rope. In this scenario, the suspended load must be fully supported and then unattached from the Guard.

**Any Guard load arrestors which arrest a load must be removed from service immediately and sent to a Globestock approved service agent for maintenance.**

# 1. Resumen

Los dispositivos anticaídas Guard constituyen una gama de productos diseñados y fabricados por Globestock Limited en el Reino Unido.

Los dispositivos anticaídas Guard son dispositivos anticaídas retráctiles, diseñados específicamente para contener la caída de una carga en caso de que fallase el mecanismo principal del polipasto que la suspende. Un mecanismo de freno de absorción de impactos situado dentro del dispositivo anticaídas Guard atenúa los posibles daños a la carga durante la contención. Los dispositivos anticaídas Guard pueden mitigar el riesgo de lesiones, muertes o daños si fallase el mecanismo principal del polipasto que suspende la carga.

Cada uno de los dispositivos anticaídas que cubre este manual se especifica en el Apéndice A y se ilustra a continuación.

## 2. Precaución

Los dispositivos anticaídas Guard deben utilizarse de acuerdo con las instrucciones del fabricante, de no ser así podría causar lesiones graves o incluso muerte.

Los dispositivos anticaídas no pueden utilizarse para proteger al personal.

El uso de un dispositivo anticaída no descarta la responsabilidad de tener que inspeccionar y mantener el mecanismo de elevación principal tal como se estipula en las instrucciones del fabricante y en cualquier legislación o regulación que se aplique.

Una persona competente deberá llevar a cabo la evaluación formal de la instalación, del programa de inspección, del programa de mantenimiento y de cualquier riesgo identificado antes de utilizar los dispositivos anticaídas.

Antes de utilizar los dispositivos anticaídas, una persona competente deberá identificar y documentar el procedimiento para recuperar la carga en caso de contención.

La ruta potencial de caída debajo de la carga debe mantenerse despejada.

# 3. Identificación

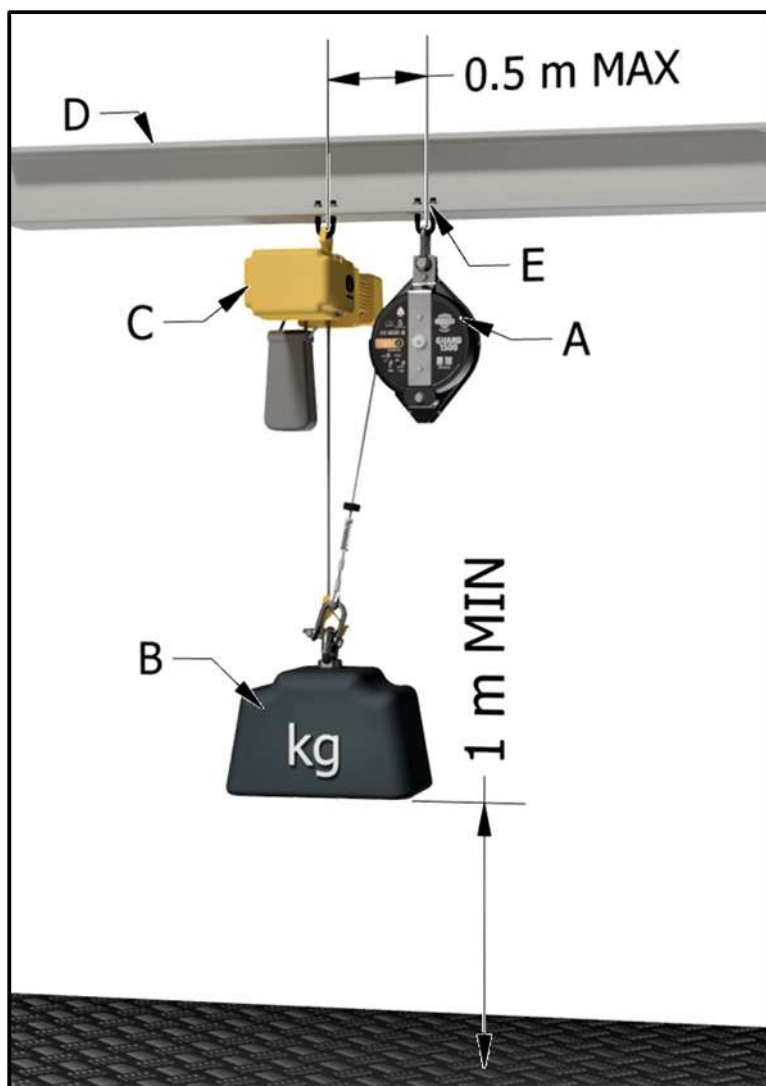


<b>A</b>	<b>Inspecciones previas al uso</b>		
i	Inspeccionar visualmente el dispositivo anticaídas	ii	Comprobar el indicador de carga
iii	Inspeccionar visualmente el cable de acero	iv	Comprobar el mecanismo de contención
<b>B</b>	<b>Información adicional</b>		
i	Leer las instrucciones	ii	Resistencia mínima del anclaje
iii	Carga máxima de trabajo	iv	Directiva CE sobre máquinas / SMR / UKCA
v	Reglamento de UKCA sobre suministro de maquinaria (seguridad) de 2008		
<b>C</b>	<b>Información sobre el producto</b>		
i	Nombre del producto	ii	Logotipo del producto
<b>D</b>	<b>Información del fabricante</b>		

# 4. Instalación

Los dispositivos anticaídas deberán ser instalados por una persona competente. Para la instalación de los dispositivos anticaídas Guard, se debe utilizar un equipo de protección personal (EPP) adecuado. Si tiene alguna duda sobre cualquier aspecto de la instalación, póngase en contacto con el fabricante o con un distribuidor autorizado para que le esclarezca las dudas. Considere el uso de ayudas de elevación al instalar equipos pesados.

## 4.1. Instalación de un polipasto simple

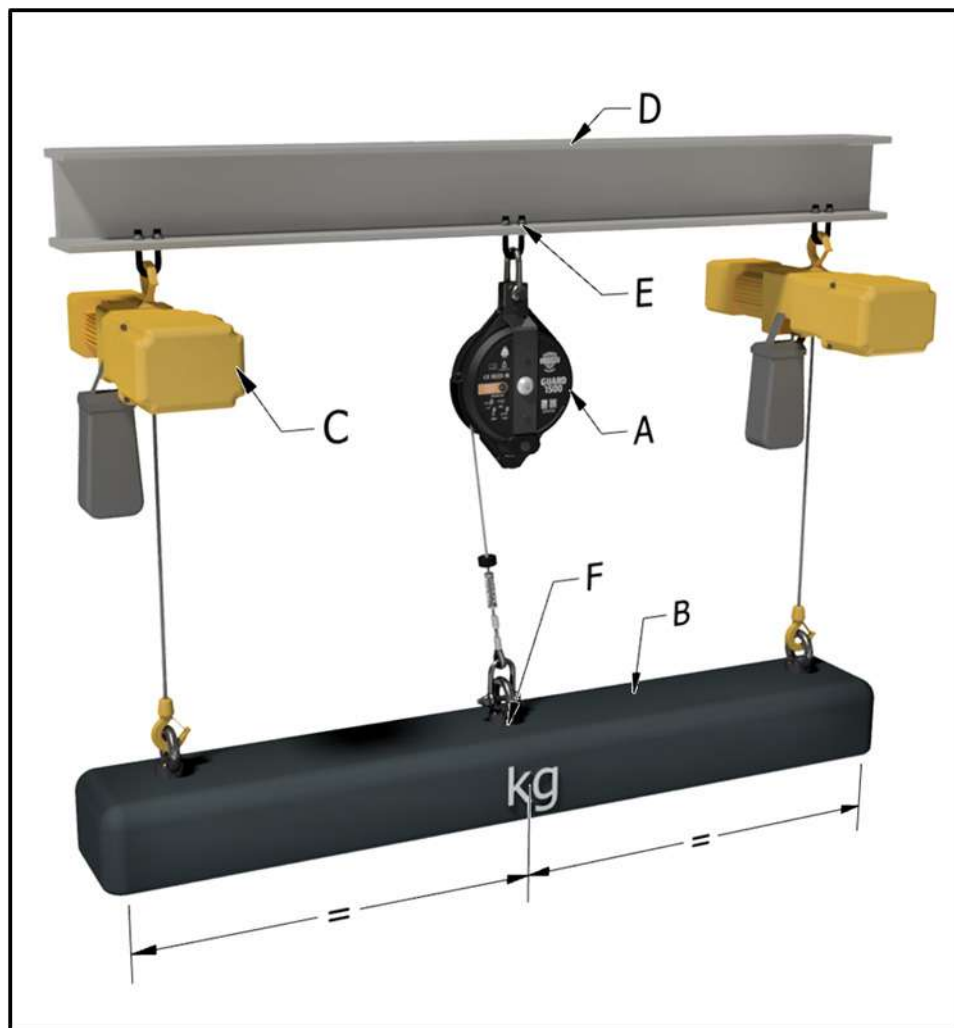


## Clave

A	Dispositivo anticaídas Guard
B	Carga
C	Mecanismo principal del polipasto
D	Viga de soporte
E	Punto de anclaje

- A. Conecte el dispositivo anticaídas Guard a un punto de anclaje mediante su grillete de anclaje.**
- Asegúrese de que la salida de la cuerda en el dispositivo anticaídas Guard está orientada hacia el mecanismo principal del polipasto.
  - Asegúrese de que la tuerca del grillete de anclaje esté completamente apretada. No apriete demasiado ni aplaste el grillete de anclaje.
  - Asegúrese de que el punto de anclaje del dispositivo anticaídas Guard no está a más de 0,5 metros del punto de anclaje del mecanismo principal del polipasto.
  - Mantenga el dispositivo anticaídas Guard perpendicular al mecanismo principal del polipasto para minimizar la torsión y el desgaste.
  - Los requisitos mínimos de resistencia para el punto de anclaje se especifican en el Apéndice A de este manual.
- B. Realice las inspecciones previas al uso tal y como se describe en el apartado 5 de este manual.**
- C. Conecte el grillete del cable de acero del protector Guard al conector de carga.**
- Asegúrese de que la tuerca del grillete del cable de acero en el protector Guard esté completamente ajustada. No apriete demasiado ni aplaste el grillete del cable de acero del protector Guard.
  - No fije el grillete del cable del protector Guard al gancho del polipasto.
  - Los requisitos de resistencia mínima para el punto de anclaje especificados en el Apéndice A también se aplican al conector de carga.
  - Para cargas con una masa uniformemente distribuida, el conector de carga debe colocarse en el punto central de la carga.
  - En el caso de cargas con una masa distribuida de forma desigual, el conector de carga debe colocarse en línea con el centro de gravedad de la carga.
  - El marcador rojo, a un metro del punto de anclaje de la cuerda a la unidad, no debe verse fuera de la unidad.
- D. Asegúrese de que haya al menos 1 metro entre la carga suspendida y cualquier miembro del personal, equipo sensible u obstáculo que se encuentren debajo de ella. En la medida de lo posible, se debe dejar un espacio libre adicional.**

## 4.2. Instalación de polipasto múltiple



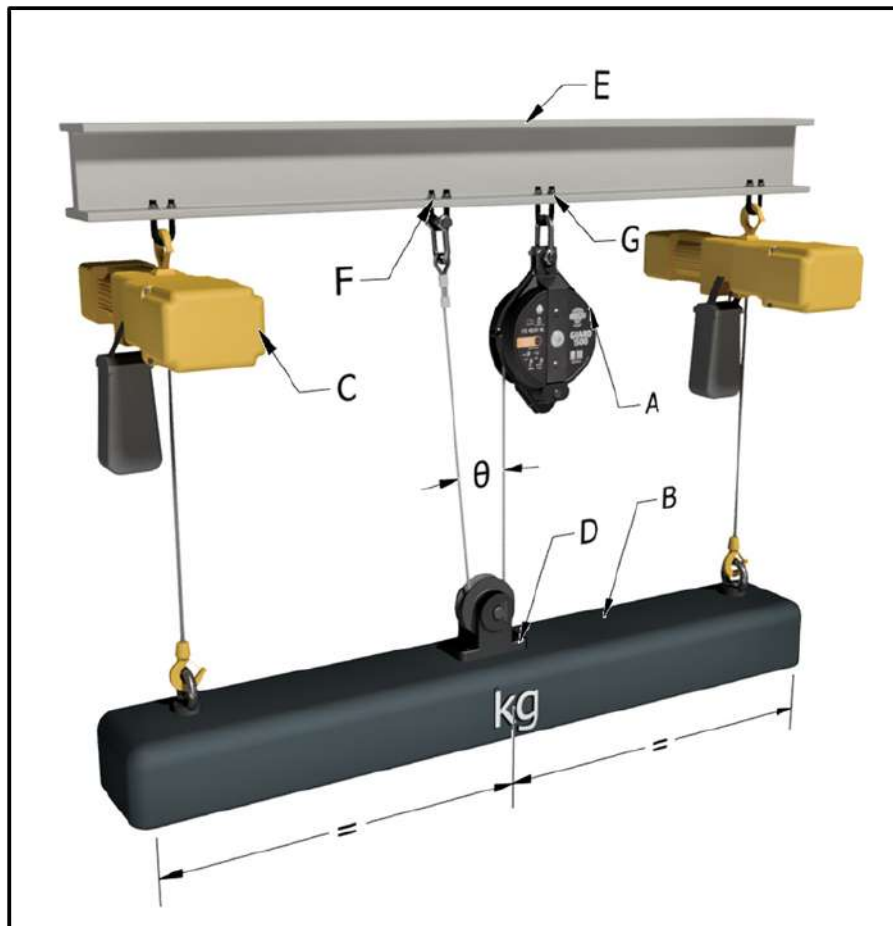


## Clave

A	Dispositivo anticaídas Guard
B	Carga
C	Mecanismo principal del polipasto
D	Viga de soporte
E	Punto de anclaje
F	Conector de carga

- A. Conecte el dispositivo anticaídas Guard a un punto de anclaje mediante su grillete de anclaje.**
- Coloque el dispositivo anticaídas Guard y el punto de anclaje directamente sobre el punto propuesto del conector de carga.
  - Asegúrese de que la tuerca del grillete de anclaje esté completamente apretada. No apriete demasiado ni aplaste el grillete de anclaje.
  - Mantenga el dispositivo anticaídas Guard perpendicular al mecanismo principal del polipasto para minimizar la torsión y el desgaste.
  - Los requisitos mínimos de resistencia para el punto de anclaje se especifican en el Apéndice A de este manual.
- B. Realice las inspecciones previas al uso tal y como se describe en el apartado 5 de este manual.**
- C. Conecte el grillete del cable de acero del protector Guard al conector de carga.**
- Asegúrese de que la tuerca del grillete del cable de acero del protector esté completamente ajustada. No apriete demasiado ni aplaste el grillete del cable de acero del protector.
  - Los requisitos de resistencia mínima para el punto de anclaje especificados en el Apéndice A también se aplican al conector de carga.
  - En el caso de cargas con una masa uniformemente distribuida, el conector de carga debe colocarse en el punto central de la carga.
  - En el caso de cargas con una masa distribuida de forma desigual, el conector de carga debe colocarse en línea con el centro de gravedad de la carga.
  - El marcador rojo, a un metro del punto de anclaje de la cuerda a la unidad, no debe verse fuera de la unidad.
- D. Asegúrese de que haya al menos 1 metro entre la carga suspendida y cualquier miembro del personal, equipo sensible u obstáculo que se encuentren debajo de ella. En la medida de lo posible, se debe dejar un espacio libre adicional.**

## 4.3. Instalación del conector de la polea



Clave

A	Dispositivo anticaídas Guard
B	Carga
C	Mecanismo principal del polipasto
D	Conector de polea
E	Viga de soporte
F	Punto de anclaje
G	Punto de anclaje

- A. Conecte el dispositivo anticaídas Guard a un punto de anclaje mediante su grillete de anclaje.**
- Coloque el dispositivo anticaídas Guard y el punto de anclaje directamente sobre el punto de conexión de la carga propuesto.
  - Asegúrese de que la tuerca del grillete de anclaje esté completamente apretada. No apriete demasiado ni aplaste el grillete de anclaje.
  - Mantenga el dispositivo anticaídas Guard perpendicular al mecanismo principal del polipasto para minimizar la torsión y el desgaste.
  - Los requisitos mínimos de resistencia para el punto de anclaje se especifican en el Apéndice A de este manual.
- B. Realice las inspecciones previas al uso tal y como se describe en el apartado 5 de este manual.**
- B. Realice las inspecciones previas al uso tal y como se describe en el apartado 5 de este manual.**
- C. Conecte el grillete del cable de acero del protector Guard al conector de carga.**
- Extraiga el cable de acero, páselo por debajo del conector de la polea o dentado y vuelva a doblarlo para fijarlo a un punto de anclaje secundario. No lo ajuste al mismo punto de anclaje que el dispositivo anticaídas Guard.
  - Asegúrese de que la tuerca del grillete del cable de acero del protector Guard esté completamente ajustada. No apriete demasiado ni aplaste el grillete del cable de acero del protector Guard.
  - Los requisitos de resistencia mínima para el punto de anclaje especificados en el Apéndice A también se aplican al conector de carga.
  - Para cargas con una masa uniformemente distribuida, el conector de carga debe colocarse en el punto central de la carga.
  - En el caso de cargas con una masa distribuida de forma desigual, el conector de carga debe colocarse en línea con el centro de gravedad de la carga.
  - Estando en uso, el ángulo  $\theta$  debe permanecer entre  $0^\circ$  y  $45^\circ$ .
- D. Asegúrese de que haya al menos 1 metro entre la carga suspendida y cualquier miembro del personal, equipo sensible u obstáculo que se encuentren debajo de ella. En la medida de lo posible, se debe dejar un espacio libre adicional.**
- E. Consideraciones adicionales**
- El uso de un conector de polea permita que el dispositivo anticaídas Guard contenga el doble de su carga máxima de trabajo (CMT). Como resultado, se alteran ciertas velocidades y fuerzas en el sistema.
- La resistencia del conector de la polea debe ser el doble de los requisitos de anclaje que se especifican en el Apéndice A.
  - La viga de soporte debe tener el doble de los requisitos de anclaje que se especifican en el Apéndice A.
  - La longitud de cuerda utilizable será la mitad de la que se especifica en el Apéndice A.
  - La velocidad máxima de circulación será la mitad de la que se especifica en el Apéndice A.

# 5. Inspección previas al uso

Todos los dispositivos anticaídas Guard deben someterse a una inspección previa a su uso, después de su instalación y antes de cada uso posterior.

Las inspecciones previas al uso deben ser realizadas por una persona competente además de ser buena práctica llevar un registro de todas las inspecciones previas al uso. En el Apéndice B de este manual se incluye un ejemplo de registro de inspección.

Cuando se realicen las inspecciones previas al uso, se debe utilizar un equipo de protección personal (EPP) adecuado

## **A. Inspección visual del dispositivo anticaídas Guard**

- i. Inspeccione la caja en caso de deformaciones o cualquier otro daño.
- ii. Confirme que todas las fijaciones están presentes y son seguras.
- iii. Confirme que la lente del indicador de carga sea claramente visible y no está en rojo.
- iv. Confirme que todas las etiquetas del producto están presentes y son claramente legibles.

## **B. Inspección visual del cable de acero del dispositivos anticaídas Guard**

- i. Confirme que el grillete del cable de acero del protector Guard está presente y funciona.
- ii. Confirme que no hay bordes afilados en la salida del cable de acero.
- iii. Extraiga todo el cable de acero del dispositivo anticaídas Guard. No suelte el cable de acero.
- iv. Confirme que no hay hilos dañados o rotos.
- v. Confirme que no hay signos de corrosión.
- vi. Confirme que el marcador rojo está presente en el último metro del cable de acero.
- vii. Deje que el cable de acero se retraiga lentamente y confirme que todo se retrae de nuevo en el dispositivo anticaídas Guard.

## **C. Mecanismo de contención**

- i. Confirme que el mecanismo de contención de carga se bloquea cuando la cuerda se extrae rápidamente (a mano) desde el dispositivo anticaídas Guard.

Todo dispositivo anticaídas Guard que no pase cualquiera de las inspecciones anteriores antes de su uso debe ser retirado de su funcionamiento inmediatamente y se debe enviar a un agente de servicio aprobado por Globestock para su mantenimiento.

Esta inspección previa al uso no sustituye ni reemplaza ningún requisito legislativo o reglamentario pertinente que pueda estar en vigor para este tipo de equipos de trabajo.

# 6. Mantenimiento

Todos los dispositivos anticaídas Guard deben someterse a un mantenimiento periódico para garantizar que sigan funcionando con seguridad y eficacia.

Los dispositivos anticaídas Guard deben recibir mantenimiento por un agente de servicio aprobado por Globestock al menos cada 12 meses. Los dispositivos anticaídas Guard puede que requieran un mantenimiento más frecuente cuando se utilizan en entornos difíciles. Los dispositivos anticaídas Guard deben someterse a un mantenimiento periódico siempre que contengan una carga, independientemente de la última vez que se les haya realizado el mantenimiento. Nunca abra una unidad de Guardia, a menos que Globestock lo haya capacitado y explícitamente autorizado para hacerlo.

# 7. Tras una contención

Antes de utilizar los dispositivos anticaídas Guard, una persona competente debe identificar y documentar un procedimiento para recuperar la carga en caso de contención.

El dispositivo anticaídas Guard se activará y detendrá la carga si falla el sistema principal que suspende una carga. En dicho caso, hay que tener en cuenta los elementos que se indican a continuación:

1. El área circundante inmediata debe ser acordonada para evitar cualquier acceso no autorizado cerca o debajo de la carga suspendida.
2. La carga suspendida debe ser trasladada a una zona segura lo antes posible. Esta puede ser el suelo o una plataforma elevada adecuada capaz de soportar la carga.
3. La carga suspendida debe levantarse ligeramente para permitir que el cable de acero se retraiga y desenganche el mecanismo de freno.
4. El cable de acero adicional puede ser extraído del protector Guard una vez que el mecanismo de freno haya sido desenganchado.
5. En determinadas circunstancias, es posible que el cable se agarre al tambor del cable dentro del protector Guard e impida la extracción/retracción del cable. En ese caso, la carga suspendida debe ser soportada completamente y luego desenganchada del protector.

Cualquier dispositivo anticaídas Guard que detenga una carga debe ser retirado del servicio inmediatamente y enviado a un agente de servicio aprobado por Globestock para su mantenimiento.

# 1. Présentation

Les dispositifs d'arrêt de charge Guard sont une gamme de produits conçus et fabriqués par Globestock Limited au Royaume-Uni.

Les dispositifs d'arrêt de charge Guard sont rétractables, spécialement conçus pour arrêter la chute d'une charge en cas de défaillance du mécanisme de levage principal qui suspend la charge. Un mécanisme de freinage absorbant les chocs dans le dispositif Guard permet d'éviter d'endommager la charge lors d'un arrêt. Les dispositifs d'arrêt de charge Guard peuvent atténuer le risque de blessure, de mort ou de dommages survenant si le mécanisme de levage principal suspendant la charge est défaillant.

Chacun des dispositifs d'arrêt de charge Guard couverts par ce manuel est spécifié dans l'annexe A et illustré ci-dessous.

# 2. Attention

Les dispositifs d'arrêt de charge Guard doivent être utilisés en conformité avec les instructions du fabricant. Ne pas le faire pourrait entraîner des blessures graves ou la mort. Les dispositifs d'arrêt de charge Guard ne peut pas être utilisé pour sécuriser le personnel.

L'utilisation d'un dispositif d'arrêt de charge Guard ne retire pas la responsabilité d'inspecter et d'entretenir le mécanisme de levage principal conformément aux instructions du fabricant et à toute législation ou réglementation pertinente.

Une évaluation formelle de l'installation, du calendrier d'inspection, du calendrier de maintenance et de tout risque identifié doit être entreprise par une personne compétente avant d'utiliser les dispositifs d'arrêt de charge Guard.

Une procédure de récupération du chargement en cas d'arrêt doit être définie et documentée par une personne compétente, avant d'utiliser les dispositifs d'arrêt de charge Guard.

La trajectoire de chute potentielle sous la charge doit être dégagée.

# 3. Identification

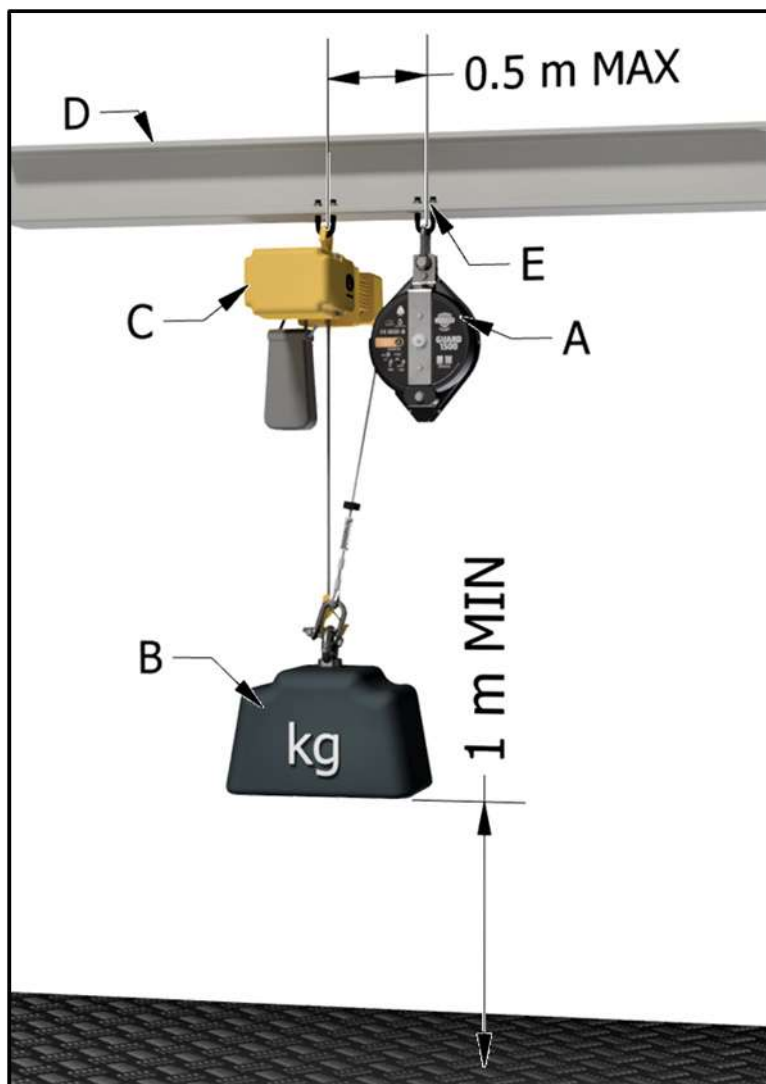


<b>A</b>	<b>Inspections pré-utilisation</b>		
i	Inspecter visuellement le dispositif d'arrêt de charge Guard	ii	Vérifier l'indicateur de charge
iii	Inspecter visuellement le câble métallique	iv	Vérifier le mécanisme d'arrêt
<b>B</b>	<b>Informations supplémentaires</b>		
i	Lire les instructions	ii	Force d'ancrage minimale
iii	Charge utile maximale	iv	Directive CE sur les machines / SMSR / UKCA
v	Règlements de l'UKCA sur l'approvisionnement en machines (sécurité) 2008		
<b>C</b>	<b>Informations sur le produit</b>		
i	Nom du produit	ii	Logo du produit
<b>D</b>	<b>Informations sur le fabricant</b>		

# 4. Installation

Les dispositifs d'arrêt de charge Guard doivent être installés par une personne compétente. Un équipement de protection individuelle (EPI) approprié doit être porté lors de l'installation des dispositifs d'arrêt de charge Guard. Si vous avez des doutes sur un aspect de l'installation, contactez le fabricant ou un distributeur agréé pour obtenir des éclaircissements. Envisagez d'utiliser des aides au levage lors de l'installation d'équipements lourds.

## 4.1. Installation d'un palan unique



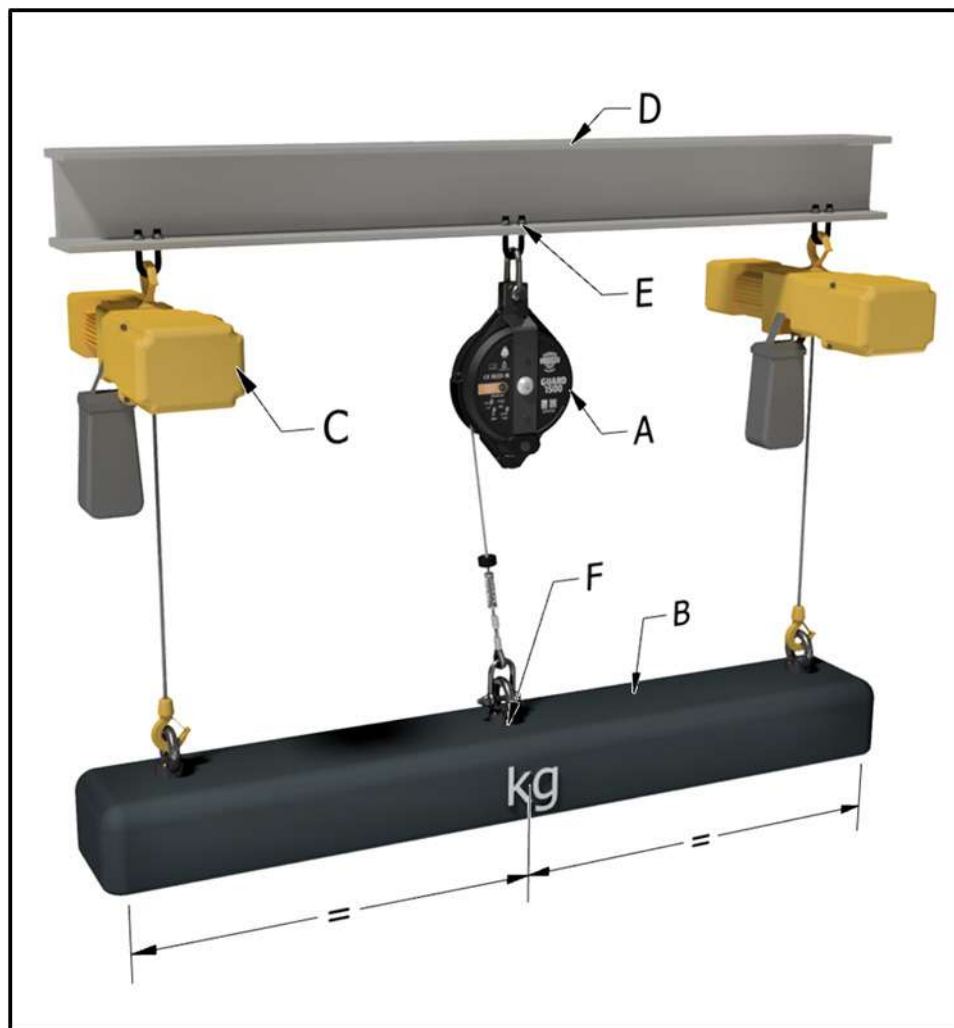


## Essentiel

A	Dispositif d'arrêt de charge Guard
B	Charger
C	Mécanisme de levage principal
D	Poutre de soutien
E	Point d'ancrage

- A. Raccorder le dispositif d'arrêt de charge Guard à un point d'ancrage par sa manille d'ancrage.**
- S'assurer-vous que la sortie du câble sur le dispositif d'arrêt de charge Guard est tournée vers le mécanisme de levage principal.
  - S'assurer que l'écrou de la manille d'ancrage est complètement fixé. Ne pas trop serrer ni écraser la manille d'ancrage.
  - S'assurer que le point d'ancrage du dispositif d'arrêt de charge Guard ne se trouve pas à plus de 0,5 mètre du point d'ancrage du mécanisme de levage principal.
  - Maintenir le dispositif d'arrêt de charge Guard perpendiculaire au mécanisme de levage principal pour minimiser la torsion et l'usure.
  - Les exigences de résistance minimale pour le point d'ancrage sont spécifiées dans l'Annexe A de ce manuel.
- B. Effectuer les inspections avant utilisation telles que décrites dans la Section 5 de ce manuel.**
- C. Raccorder la manille du câble métallique Guard au connecteur de charge**
- S'assurer que l'écrou de la manille du câble métallique Guard est complètement fixé. Ne pas trop serrer ni écraser la manille du câble métallique Guard.
  - Ne pas attacher la manille du câble métallique Guard au crochet de levage.
  - Les exigences de résistance minimale pour le point d'ancrage spécifiées à l'Annexe A s'appliquent également au connecteur de charge.
  - Pour les charges dont la masse est uniformément répartie, le connecteur de charge doit être positionné au point central de la charge.
  - Pour les charges dont la masse est inégalement répartie, le connecteur de charge doit être positionné en ligne avec le centre de gravité de la charge.
  - Le repère rouge, à un mètre du point d'ancrage de la corde à l'unité, ne doit pas être visible à l'extérieur de l'unité.
- D. S'assurer qu'il y a au moins 1 mètre entre la charge suspendue et tout personnel, équipement sensible ou obstacle au-dessous. Un dégagement supplémentaire doit être fourni dans la mesure du possible.**

## 4.2. Installation de palans multiples

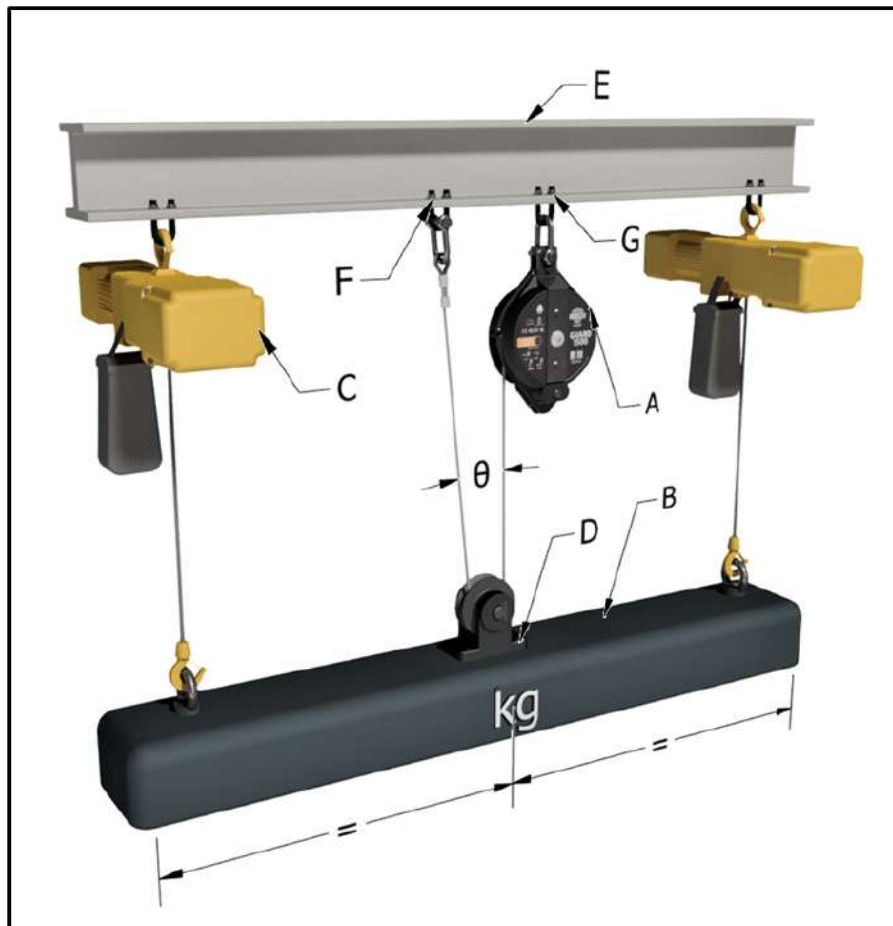


## Essentiel

A	Dispositif d'arrêt de charge Guard
B	Charge
C	Mécanisme de levage principal
D	Poutre de soutien
E	Point d'ancrage
F	Connecteur de charge

- A. Raccorder le dispositif d'arrêt de charge Guard à un point d'ancrage par sa manille d'ancrage.**
- Positionner le dispositif d'arrêt de charge Guard et le point d'ancrage directement au-dessus du point de prise de charge proposé.
  - S'assurer que l'écrou de la manille d'ancrage est complètement fixé. Ne pas trop serrer ni écraser la manille d'ancrage.
  - Maintenir le dispositif d'arrêt de charge Guard perpendiculaire au mécanisme de levage principal pour minimiser la torsion et l'usure.
  - Les exigences de résistance minimale pour le point d'ancrage sont spécifiées dans l'Annexe A de ce manuel.
- B. Effectuer les inspections avant utilisation telles que décrites dans la Section 5 de ce manuel.**
- C. Raccorder la manille du câble métallique Guard au connecteur de charge.**
- S'assurer que l'écrou de la manille du câble métallique Guard est complètement fixé. Ne pas trop serrer ni écraser la manille du câble métallique Guard.
  - Les exigences de résistance minimale pour le point d'ancrage spécifiées à l'Annexe A s'appliquent également au connecteur de charge.
  - Pour les charges dont la masse est uniformément répartie, le connecteur de charge doit être positionné au point central de la charge
  - Pour les charges dont la masse est inégalement répartie, le connecteur de charge doit être positionné en ligne avec le centre de gravité de la charge.
  - Le repère rouge, à un mètre du point d'ancrage de la corde à l'unité, ne doit pas être visible à l'extérieur de l'unité.
- D. S'assurer qu'il y a au moins 1 mètre entre la charge suspendue et tout personnel, équipement sensible ou obstacle au-dessous. Un dégagement supplémentaire doit être fourni dans la mesure du possible .**

## 4.3. Installation du raccord de poulie



Essentiel

A	Dispositif d'arrêt de charge Guard
B	Charge
C	Mécanisme de levage principal
D	Raccord de poulie
E	Poutre de soutien
F	Point d'ancrage secondaire
G	Point d'ancrage

**A. Raccorder le dispositif d'arrêt de charge Guard à un point d'ancrage par sa manille d'ancrage.**

- i. Positionner le dispositif d'arrêt de charge Guard et le point d'ancrage directement au-dessus du point de prise de charge proposé.
- ii. S'assurer que l'écrou de la manille d'ancrage est complètement fixé. Ne pas trop serrer ni écraser la manille d'ancrage.
- iii. Maintenir le dispositif d'arrêt de charge Guard perpendiculaire au mécanisme de levage principal pour minimiser la torsion et l'usure.
- iv. Les exigences de résistance minimale pour le point d'ancrage sont spécifiées dans l'Annexe A de ce manuel.

**B. Effectuer les inspections avant utilisation telles que décrites dans la Section 5 de ce manuel.**

**C. Raccorder la manille du câble métallique Guard au connecteur de charge.**

- i. Extraire le câble métallique, le faire passer sous le connecteur de poulie ou la poulie et le doubler pour le fixer à un point d'ancrage secondaire. Ne pas attacher au même point d'ancrage que le dispositif d'arrêt de charge Guard.
- ii. S'assurer que l'écrou de la manille du câble métallique Guard est complètement fixé. Ne pas trop serrer ni écraser la manille du câble métallique Guard.
- iii. Les exigences de résistance minimale pour le point d'ancrage spécifiées à l'Annexe A s'appliquent également au connecteur de charge.
- iv. Pour les charges dont la masse est uniformément répartie, le connecteur de charge doit être positionné au point central de la charge.
- v. Pour les charges dont la masse est inégalement répartie, le connecteur de charge doit être positionné en ligne avec le centre de gravité de la charge.
- vi. Pendant l'utilisation, l'angle  $\theta$  doit rester dans une fourchette de  $0^\circ$  à  $45^\circ$ .
- vii. Le repère rouge, à un mètre du point d'ancrage de la corde à l'unité, ne doit pas être visible à l'extérieur de l'unité.

**D. S'assurer qu'il y a au moins 1 mètre entre la charge suspendue et tout personnel, équipement sensible ou obstacle au-dessous. Un dégagement supplémentaire doit être fourni dans la mesure du possible.**

**E. Considérations supplémentaires.**

L'utilisation d'un connecteur à poulie permet au dispositif d'arrêt de charge Guard d'arrêter le double de sa charge maximale d'utilisation (MWL). En conséquence, certaines vitesses et forces dans le système sont modifiées.

- i. La résistance du connecteur de poulie doit être le double des exigences d'ancrage spécifiées à l'Annexe A.
- ii. La poutre de support doit être du double des exigences d'ancrage spécifiées à l'Annexe A.
- iii. La longueur de corde utilisable sera de la moitié de celle spécifiée à l'Annexe A.
- iv. La vitesse de course maximale sera de la moitié de celle spécifiée à l'Annexe A.

# 5. Inspection pré-utilisation

Tous les dispositifs d'arrêt de charge Guard doivent faire l'objet d'une inspection avant utilisation après installation et avant chaque utilisation ultérieure.

Les inspections avant utilisation doivent être effectuées par une personne compétente. Il est recommandé de conserver un registre de toutes les inspections avant utilisation. Un exemple de rapport d'inspection est fourni à l'Annexe B de ce manuel.

Un équipement de protection individuelle (EPI) approprié doit être porté lors des inspections avant utilisation.

## **A. Inspection visuelle du dispositif d'arrêt de charge Guard**

- i. Inspecter le boîtier pour détecter toute déformation ou tout autre dommage.
- ii. Confirmer que toutes les fixations sont présentes et sécurisées.
- iii. Confirmer que la lentille de l'indicateur de charge est clairement visible et n'est pas rouge.
- iv. Confirmer que toutes les étiquettes des produits sont présentes et clairement lisibles.

## **B. Inspection visuelle du dispositif d'arrêt de charge du câble Guard**

- i. Confirmer que la manille du câble métallique Guard est présente et fonctionnelle.
- ii. Vérifier qu'il n'y a pas d'arêtes vives à la sortie du câble métallique.
- iii. Extraire tous les câbles métalliques du dispositif d'arrêt de charge Guard. Ne pas relâcher le câble métallique.
- iv. Confirmer qu'il n'y a pas de brins endommagés ou cassés.
- v. Confirmer qu'il n'y a aucun signe de corrosion.
- vi. Confirmer que le marqueur rouge est présent sur le dernier mètre de câble métallique.
- vii. Laisser lentement le câble se rétracter et vérifier que tout se rétracte dans le dispositif d'arrêt de charge Guard.

## **C. Mécanisme d'arrêt**

- i. Confirmer le verrouillage du mécanisme d'arrêt lorsque la corde est extraite rapidement (à la main) du dispositif d'arrêt de charge Guard.

Tout dispositif d'arrêt de charge Guard qui échoue à l'une des inspections de pré-utilisation ci-dessus doit être immédiatement retiré du service et envoyé à un agent de service agréé Globestock pour maintenance.

Cette inspection avant utilisation ne remplace ni ne prévaut sur aucune des exigences législatives ou réglementaires pertinentes qui peuvent être en place pour ce type d'équipement de travail.

## 6. Entretien

Tous les dispositifs d'arrêt de charge Guard doivent faire l'objet d'une maintenance périodique pour garantir leur fonctionnement sûr et efficace.

FR

Les dispositifs d'arrêt de charge Guard doivent être entretenus par un agent de service agréé Globestock au moins tous les 12 mois. Les dispositifs d'arrêt de charge Guard peuvent nécessiter une maintenance plus fréquente lorsqu'ils sont utilisés dans des environnements sévères. Les dispositifs d'arrêt de charge Guard doivent faire l'objet d'un entretien périodique chaque fois qu'ils arrêtent une charge, quelle que soit la date de leur dernier entretien. N'ouvrez jamais une unité Guard, à moins d'avoir été formé et explicitement autorisé à le faire par Globestock.

## 7. Après un arrêt

Une procédure de récupération du chargement en cas d'arrêt doit être définie et documentée par une personne compétente, avant d'utiliser les dispositifs d'arrêt de charge Guard.

Le dispositif d'arrêt de charge Guard activera et arrêtera la charge en cas de défaillance du système principal de suspension d'une charge. Dans ce scénario, il faut tenir compte des éléments suivants :

1. La zone environnante immédiate doit être fermée pour empêcher tout accès non autorisé à proximité ou sous la charge suspendue.
2. La charge suspendue doit être déplacée vers une zone sûre dès que possible. Cela pourra être le sol ou une plateforme surélevée appropriée capable de supporter la charge.
3. La charge suspendue doit être légèrement soulevée pour permettre au câble métallique de se rétracter et de désengager le mécanisme de freinage.
4. Un câble métallique supplémentaire peut être extrait du Guard une fois que le mécanisme de freinage a été désengagé.
5. Dans certaines circonstances, il est possible que le câble se coince sur le tambour à câble à l'intérieur du Guard et empêche toute extraction/rétraction du câble. Dans ce scénario, la charge suspendue doit être entièrement supportée puis détachée du Guard.

Tout dispositif d'arrêt de charge Guard qui arrête une charge doit être immédiatement retiré du service et envoyé à un agent de service agréé Globestock pour maintenance.

# 1. Overzicht

Guard-lastbeveiligingen zijn een assortiment producten ontworpen en geproduceerd door Globestock Limited in het Verenigd Koninkrijk.

Guard-lastbeveiligingen zijn intrekbare lastbeveiligingen, specifiek ontworpen om de val van een last te stoppen bij een storing in het primaire hijsmechanisme waar de last aan hangt. Een schokdempend remmechanisme binnen de Guard-lastbeveiligingen helpt schade aan de last tijdens een stopzetting te voorkomen. Guard-lastbeveiligingen kunnen het risico op letsel, de dood of schade beperken bij het optreden van een defect in het primaire hijsmechanisme waar de last aan hangt.

Elk van de Guard-lastbeveiligingen die door deze handleiding wordt gedekt, wordt gespecificeerd in Bijlage 1 en hieronder geïllustreerd.

## 2. Let op

Guard-lastbeveiligingen moeten worden gebruikt in overeenstemming met de instructies van de fabrikant. Doet u dit niet, dan kan dit leiden tot ernstig letsel of de dood. Guard-lastbeveiligingen kunnen niet worden gebruikt om personeel te beveiligen.

Het gebruik van een Guard-lastbeveiliging neemt de verantwoordelijkheid voor het inspecteren en onderhouden van het primaire hijsmechanisme in overeenstemming met de instructies van de fabrikant en eventuele relevante wetgeving of voorschriften, niet weg.

Voorafgaand aan het gebruik van de Guard-lastbeveiligingen, moet er een formele beoordeling van de installatie, het inspectieschema, het onderhoudsschema en eventuele geïdentificeerde risico's door een bevoegde persoon worden ondernomen.

Voorafgaand aan het gebruik van de Guard-lastbeveiligingen, moet een procedure voor het herstellen van de last in het geval van een stopzetting, door een bevoegde persoon worden gedefinieerd en gedocumenteerd.

Het potentiële valpad onder de last moet vrij worden gehouden.



# 3. Identificatie

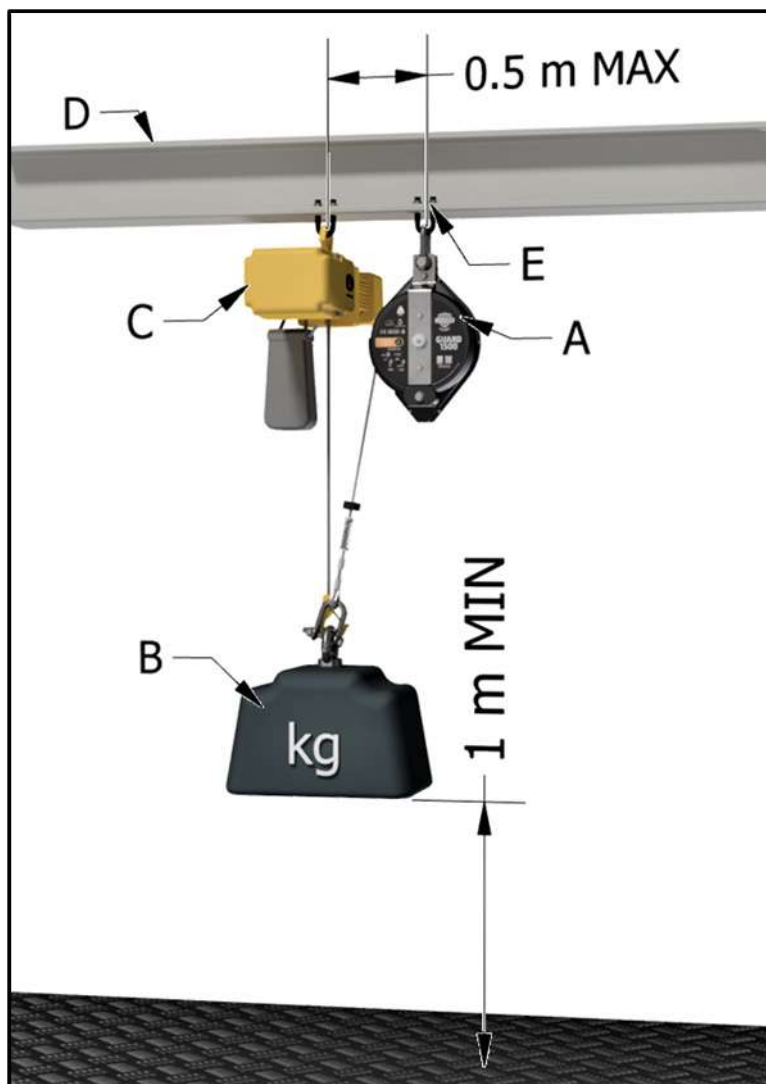


<b>A</b>	<b>Inspecties vóór het gebruik</b>		
i	De Guard-lastbeveiliging visueel inspecteren	ii	De lastindicator controleren
iii	Draadkabel visueel inspecteren	iv	Stopzettingsmechanisme controleren
<b>B</b>	<b>Aanvullende informatie</b>		
i	Instructies lezen	ii	Minimale ankersterkte
iii	Maximale werkbelasting	iv	CE-richtlijn inzake Machines / SSMR / UKCA
v	UKCA (Veiligheids-)voorschriften voor de toevoer van machines 2008		
<b>C</b>	<b>Productinformatie</b>		
i	Productnaam	ii	Productlogo
<b>D</b>	<b>Informatie over de fabrikant</b>		

# 4. Installatie

Guard-lastbeveiligingen moeten door een bevoegde persoon worden geïnstalleerd. Er moeten gepaste persoonlijke beschermingsmiddelen (PBM) worden gedragen tijdens het installeren van Guard-lastbeveiligingen. Als u twijfelt over enig aspect van de installatie, neemt u contact op met de fabrikant of een erkende distributeur voor verduidelijking. Overweeg het gebruik van tilhulpmiddelen bij het installeren van zwaar materieel.

## 4.1. Enkelvoudige hijsinstallatie

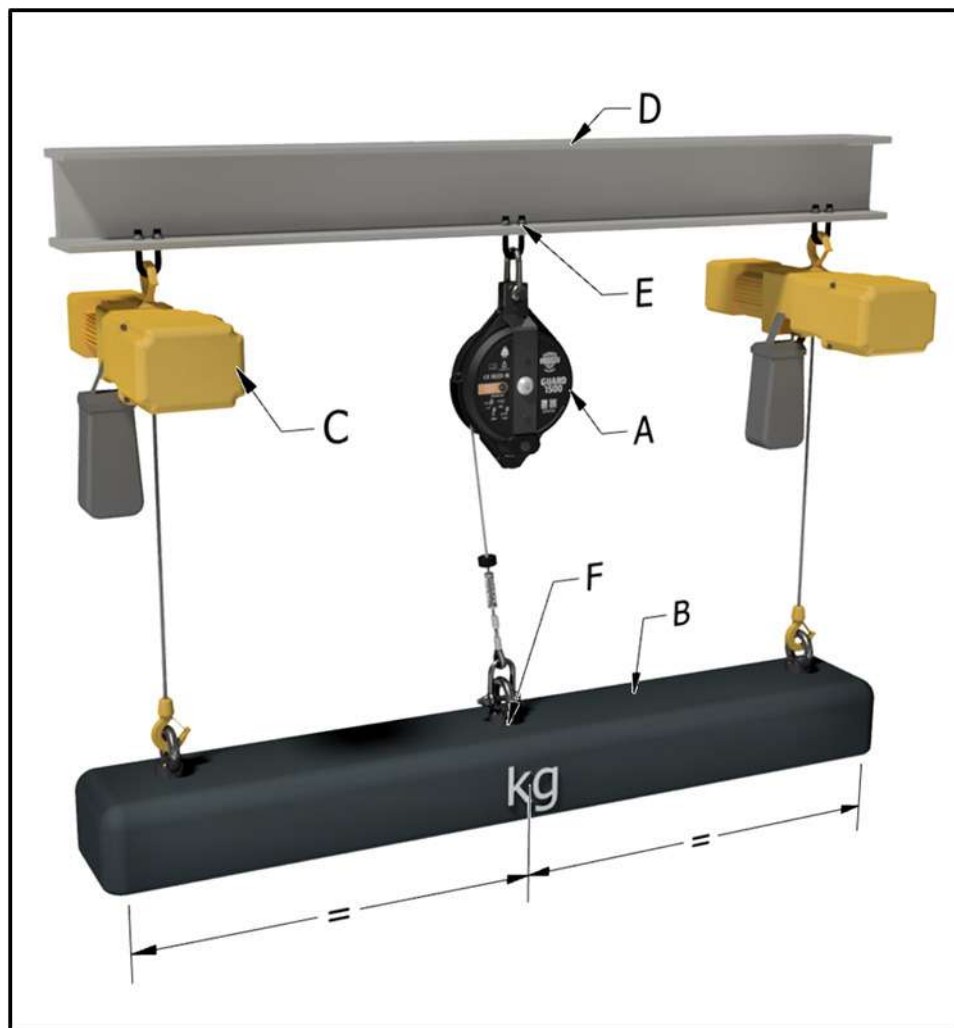


## Legenda

A	Guard-lastbeveiliging
B	Last
C	Primair hijsmechanisme
D	Steunbalk
E	Ankerpunt

- A. Sluit de Guard-lastbeveiliging door middel van de verankeringsbeugel op een ankerpunt aan.**
- Zorg dat de kabeluitgang op de Guard-lastbeveiliging naar het primaire hijsmechanisme toe is gericht.
  - Zorg dat de moer van de verankeringsbeugel volledig is vastgedraaid. De moer niet té vast draaien of de verankeringsbeugel pletten.
  - Zorg dat het ankerpunt van de Guard-lastbeveiliging zich niet meer dan 0,5 meter vanaf het ankerpunt van het primaire hijsmechanisme bevindt.
  - Zorg dat het Guard-lastbeveiliging zich loodrecht op het primaire hijsmechanisme bevindt om verdraaiing en slijtage te minimaliseren.
  - De minimale sterktevereisten voor het ankerpunt worden in Bijlage A van deze handleiding gespecificeerd.
- B. Voer inspecties vóór het gebruik uit volgens de beschrijving in Hoofdstuk 5 van deze handleiding.**
- C. Sluit de draadkabelbeugel van de Guard op de lastconnector aan.**
- Zorg dat de moer van de Guard-draadkabelbeugel volledig is vastgedraaid. De moer niet té vast draaien of de draadkabelbeugel van de Guard pletten.
  - Bevestig de draadkabelbeugel van de Guard niet op de hijszaak.
  - De minimale sterktevereisten voor het ankerpunt die in Bijlage A worden gespecificeerd, zijn ook van toepassing op de lastconnector.
  - Voor lasten met een gelijkmatig verdeelde massa, moet de lastconnector op het centrale punt van de last worden geplaatst.
  - Voor lasten met een ongelijkmatig verdeelde massa, moet de lastconnector in lijn met het zwaartekrachtspunt van de last worden geplaatst.
  - De rode markering, één meter van het ankerpunt van het touw naar de unit, mag niet zichtbaar zijn buiten de unit.
- D. Zorg dat er zich minimaal 1 meter tussen de opgehangen last en eventueel personeel, gevoelige apparatuur of obstructies eronder bevindt. Aanvullende vrije ruimte moet waar mogelijk worden geboden.**

## 4.2. Meervoudige hijsinstallatie

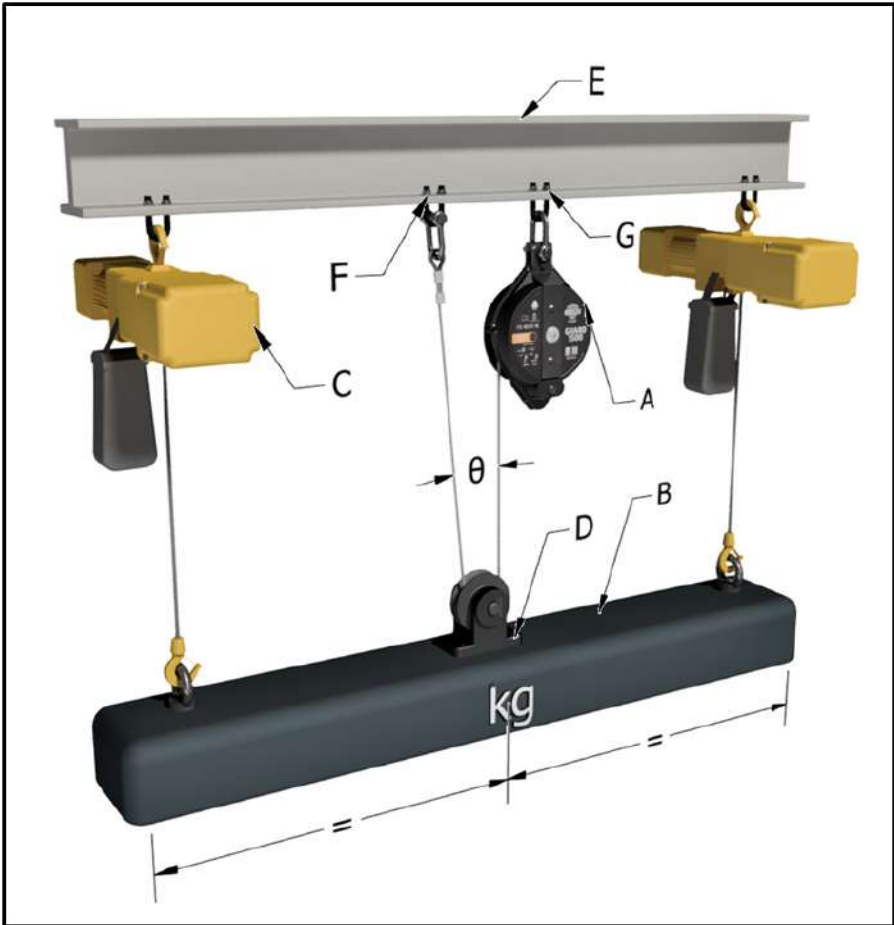


## Legenda

A	Guard-lastbeveiliging
B	Last
C	Primair hijsmechanisme
D	Steunbalk
E	Ankerpunt
F	Lastconnector

- A. Sluit de Guard-lastbeveiliging door middel van de verankeringsbeugel op een ankerpunt aan.**
- Plaats de Guard-lastbeveiliging en het ankerpunt direct boven het voorgestelde lastconnectorpunt.
  - Zorg dat de moer van de verankeringsbeugel volledig is vastgedraaid. De moer niet té vast draaien of de verankeringsbeugel pletten.
  - Zorg dat het Guard-lastbeveiliging zich loodrecht op het primaire hijsmechanisme bevindt om verdraaiing en slijtage te minimaliseren.
  - De minimale sterktevereisten voor het ankerpunt worden in Bijlage A van deze handleiding gespecificeerd.
- B. Voer inspecties vóór het gebruik uit volgens de beschrijving in Hoofdstuk 5 van deze handleiding.**
- C. Sluit de draadkabelbeugel van de Guard op de lastconnector aan.**
- Zorg dat de moer van de Guard-draadkabelbeugel volledig is vastgedraaid. De moer niet té vast draaien of de draadkabelbeugel van de Guard pletten.
  - De minimale sterktevereisten voor het ankerpunt die in Bijlage A worden gespecificeerd, zijn ook van toepassing op de lastconnector.
  - Voor lasten met een gelijkmatig verdeelde massa, moet de lastconnector op het centrale punt van de last worden geplaatst.
  - Voor lasten met een ongelijkmatig verdeelde massa, moet de lastconnector in lijn met het zwaartekrachtspunt van de last worden geplaatst.
  - De rode markering, één meter van het ankerpunt van het touw naar de unit, mag niet zichtbaar zijn buiten de unit.
- D. Zorg dat er zich minimaal 1 meter tussen de opgehangen last en eventueel personeel, gevoelige apparatuur of obstructies eronder bevindt. Aanvullende vrije ruimte moet waar mogelijk worden geboden.**

## 4.3. Installatie van de poelieconnector



Legenda

A	Guard-lastbeveiliging
B	Last
C	Primair hijsmechanisme
D	Poelieconnector
E	Steunbalk
F	Secundaire ankerpunt
G	Ankerpunt

- A. Sluit de Guard-lastbeveiliging door middel van de verankeringsbeugel op een ankerpunt aan.**
- Plaats de Guard-lastbeveiliging en het ankerpunt direct boven het voorgestelde lastconnectorpunt.
  - Zorg dat de moer van de verankeringsbeugel volledig is vastgedraaid. De moer niet té vast draaien of de verankeringsbeugel pletten.
  - Zorg dat het Guard-lastbeveiliging zich loodrecht op het primaire hijsmechanisme bevindt om verdraaiing en slijtage te minimaliseren.
  - De minimale sterktevereisten voor het ankerpunt worden in Bijlage A van deze handleiding gespecificeerd.
- B. Voer inspecties vóór het gebruik uit volgens de beschrijving in Hoofdstuk 5 van deze handleiding.**
- C. Sluit de draadkabelbeugel van de Guard op de lastconnector aan.**
- Trek de draadkabel uit, voer hem onder de poelieconnector of katrolschijf door en voer de kabel terug om hem aan een secundair ankerpunt te bevestigen. Bevestig de kabel niet aan hetzelfde ankerpunt als de Guard-lastbeveiliging.
  - Zorg dat de moer van de Guard-draadkabelbeugel volledig is vastgedraaid. De moer niet té vast draaien of de draadkabelbeugel van de Guard pletten.
  - De minimale sterktevereisten voor het ankerpunt die in Bijlage A worden gespecificeerd, zijn ook van toepassing op de lastconnector.
  - Voor lasten met een gelijkmatig verdeelde massa, moet de lastconnector op het centrale punt van de last worden geplaatst.
  - Voor lasten met een ongelijkmatig verdeelde massa, moet de lastconnector in lijn met het zwaartekrachtspunt van de last worden geplaatst.
  - Tijdens het gebruik moet de hoek  $\theta$  tussen  $0^\circ$  en  $45^\circ$  blijven
  - De rode markering, één meter van het ankerpunt van het touw naar de unit, mag niet zichtbaar zijn buiten de unit.
- D. Zorg dat er zich minimaal 1 meter tussen de opgehangen last en eventueel personeel, gevoelige apparatuur of obstructies eronder bevindt. Aanvullende vrije ruimte moet waar mogelijk worden geboden.**
- E. Aanvullende overwegingen**
- Door een poelieconnector te gebruiken, kan de Guard-lastbeveiliging een twee keer zo grote maximale werkbelasting (MWL) stopzetten. Als gevolg daarvan worden bepaalde snelheden en krachten in het systeem gewijzigd.
- De poelieconnector moet twee keer zo sterk zijn als de ankervereisten die in Bijlage A worden vermeld.
  - De steunbalk moet twee keer zo sterk zijn als de ankervereisten die in Bijlage A worden vermeld.
  - De lengte van de bruikbare draad moet de helft zijn van wat in Bijlage A wordt gespecificeerd.
  - De maximale loopsnelheid moet de helft zijn van wat in Bijlage A wordt

# 5. Inspectie vóór het gebruik

Alle Guard-lastbeveiligingen moeten na installatie en vóór elk daaropvolgende gebruik aan een inspectie vóór het gebruik worden onderworpen.

Inspecties vóór het gebruik moeten door een bevoegde persoon worden uitgevoerd. Het is een goede gewoonte om alle inspecties vóór het gebruik in de administratie op te nemen. Een voorbeeld van een inspectierecord wordt in Bijlage B van deze handleiding gegeven.

Er moeten gepaste persoonlijke beschermingsmiddelen (PBM) worden gedragen tijdens het uitvoeren van inspecties vóór het gebruik.

## **A. Visuele inspectie van de Guard-lastbeveiliging**

- i. Inspecteer de behuizing op vervorming of andere schade.
- ii. Bevestig dat alle bevestigingsmiddelen aanwezig zijn en goed vastzitten.
- iii. Bevestig dat de lastindicatorlens duidelijk zichtbaar is en niet rood is.
- iv. Bevestig dat alle productlabels aanwezig en duidelijk leesbaar zijn.

## **B. Visuele inspectie van de draadkabel van de Guard-lastbeveiliging**

- i. Bevestig dat de draadkabelbeugel van de Guard aanwezig en functioneel is.
- ii. Bevestig dat er geen scherpe randen bij de uitgang van de draadkabel aanwezig zijn.
- iii. Trek de volledige draadkabel van de Guard-lastbeveiliging uit. Laat de draadkabel niet los.
- iv. Bevestig dat er geen beschadigde of gebroken strengen aanwezig zijn.
- v. Bevestig dat er geen tekenen van roest aanwezig zijn.
- vi. Bevestig dat de rode markering op de laatste meter van de draadkabel aanwezig is.
- vii. Laat de draadkabel langzaam terugrollen en bevestig dat hij helemaal is teruggerold in de Guard-lastbeveiliging.

## **C. Stopzettingmechanisme**

- i. Bevestig dat het stopzettingmechanisme wordt vergrendeld wanneer de draad snel (met de hand) uit de Guard-lastbeveiliging wordt getrokken.

Een Guard-lastbeveiliging die niet door de bovenstaande inspecties vóór het gebruik komt, moet onmiddellijk buiten werking worden gesteld en voor onderhoud naar een erkende servicevertegenwoordiger van Globestock worden verzonden.

Deze inspectie vóór het gebruik vervangt of verdringt geen relevante wetgevende of regelgevende vereisten die mogelijk op dit type werkapparatuur van toepassing zijn.



## 6. Onderhoud

Alle Guard-lastbeveiligingen moeten periodiek onderhoud ondergaan om te zorgen dat ze veilig en effectief blijven werken. Guard-lastbeveiligingen moeten minimaal elke 12 maanden door een door Globestock erkende servicevertegenwoordiger worden onderhouden. Guard-lastbeveiligingen vereisen mogelijk vaker onderhoud wanneer ze in ruwe omgevingen worden gebruikt. Guard-lastbeveiligingen moeten periodiek onderhoud ondergaan wanneer ze een last stopzetten, ongeacht wanneer ze voor het laatst werden onderhouden. Dit onderhoud vervangt of verdringt geen relevante wetgevende of regelgevende vereisten die mogelijk op dit type apparatuur van toepassing zijn. Open nooit een Guard-eenheid, tenzij hiervoor getraind en expliciet geautoriseerd door Globestock.

NL

## 7. Na een stopzetting

Voorafgaand aan het gebruik van de Guard-lastbeveiligingen, moet een procedure voor het herstellen van de last in het geval van een stopzetting, door een bevoegde persoon worden gedefinieerd en gedocumenteerd.

De Guard-lastbeveiliging wordt geactiveerd en stopt de last bij een defect in het primaire systeem waar een last aan hangt. In dit scenario moet rekening worden gehouden met de items die hieronder worden vermeld:

1. De onmiddellijke omgeving moet worden afgezet om onbevoegde toegang in de buurt van of onder de hangende last te voorkomen.
2. De hangende last moet zo snel mogelijk naar een veilig gebied worden gebracht. Dit kan de grond zijn, of een geschikt verhoogd platform dat de last kan ondersteunen.
3. De hangende last moet enigszins worden opgehesen, zodat de draadkabel kan worden teruggetrokken en het remmechanisme kan worden uitgeschakeld.
4. Er kan aanvullende draadkabel uit de Guard worden getrokken als het remmechanisme eenmaal is uitgeschakeld.
5. In bepaalde omstandigheden is het mogelijk om de draadkabel op de liertrommel in de Guard te wikkelen en het uit-/intrekken van de draadkabel te voorkomen. In dit scenario moet de hangende last volledig worden ondersteund en vervolgens van de Guard worden losgemaakt.

**Een Guard-lastbeveiliging die een last stopzet, moet onmiddellijk buiten werking worden gesteld en voor onderhoud naar een erkende servicevertegenwoordiger van Globestock worden verzonden.**

# 1. Panoramica

I dispositivi anticaduta di carichi pesanti Guard sono una gamma di prodotti progettati e fabbricati da Globestock Limited nel Regno Unito.

I dispositivi anticaduta Guard sono retrattili, progettati specificamente per arrestare la caduta di un carico qualora il meccanismo primario di sollevamento che sospende il carico stesso avesse un guasto. Un meccanismo di freno ad assorbimento d'urto all'interno del dispositivo anticaduta Guard aiuta a prevenire danni al carico durante un arresto. I dispositivi anticaduta Guard possono ridurre il rischio di lesioni, morte o danni che si verificherebbero qualora il meccanismo primario di sollevamento che sospende il carico dovesse rompersi.

Ognuno dei dispositivi anticaduta Guard trattati in questo manuale è specificato nell'Appendice A e illustrato qui di seguito.

## 2. Attenzione

I dispositivi anticaduta Guard devono essere usati secondo le istruzioni del costruttore. L'inosservanza di tali istruzioni potrebbe provocare gravi lesioni o la morte.

I dispositivi anticaduta dei carichi pesanti Guard non possono essere utilizzati per garantire l'incolumità del personale.

L'uso di un dispositivo anticaduta di carichi pesanti non elimina la responsabilità di ispezionare e mantenere il meccanismo primario di sollevamento in modo che sia conforme alle istruzioni del costruttore e a qualsiasi legislazione o regolamento pertinente.

Prima di utilizzare i dispositivi anticaduta di carichi pesanti Guard, un addetto competente deve sempre effettuare una valutazione formale dell'installazione, del programma di ispezione, del programma di manutenzione e di qualsiasi rischio.

Prima di utilizzare un dispositivo anticaduta Guard, deve essere definita e documentata una procedura per recuperare il carico in caso di arresto, da parte di una persona competente.

Il potenziale percorso di caduta sotto il carico deve essere mantenuto libero.

## 3. Identificazione

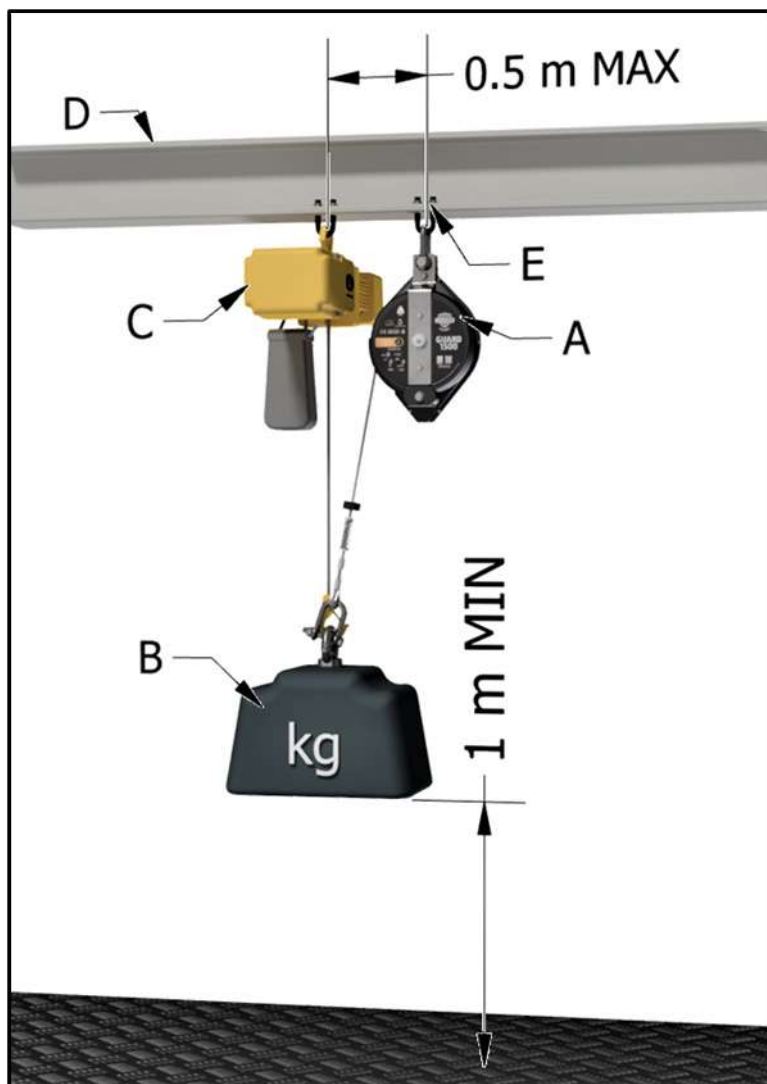


<b>A</b>	<b>Ispezioni pre-utilizzo</b>		
i	Ispezione visiva del dispositivo anticaduta Guard	ii	Controllare indicatore del carico
iii	Ispezione visiva del cavo	iv	Controllare il meccanismo di arresto
<b>B</b>	<b>Informazioni supplementari</b>		
i	Leggere le istruzioni	ii	Forza minima dell'ancoraggio
iii	Carico di lavoro massimo	iv	Direttiva Macchina CE / SMSR / UKCA
v	Normativa UKCA sulla (sicurezza) nella fornitura di macchinari 2008		
<b>C</b>	<b>Informazioni sul prodotto</b>		
i	Nome del prodotto	ii	Logo del prodotto
<b>D</b>	<b>Informazioni sul costruttore</b>		

## 4. Installazione

I dispositivi anticaduta Guard devono essere installati da una persona competente. Durante l'installazione dei dispositivi anticaduta dei carichi pesanti Guard è necessario indossare un'attrezzatura di protezione personale (DPI) appropriata. In caso di dubbi su qualsiasi aspetto dell'installazione, contattare il costruttore o un distributore approvato per chiarimenti. Considerare l'utilizzo di ausili di sollevamento durante l'installazione di attrezzature pesanti.

## 4.1. Installazione del dispositivo di sollevamento singolo



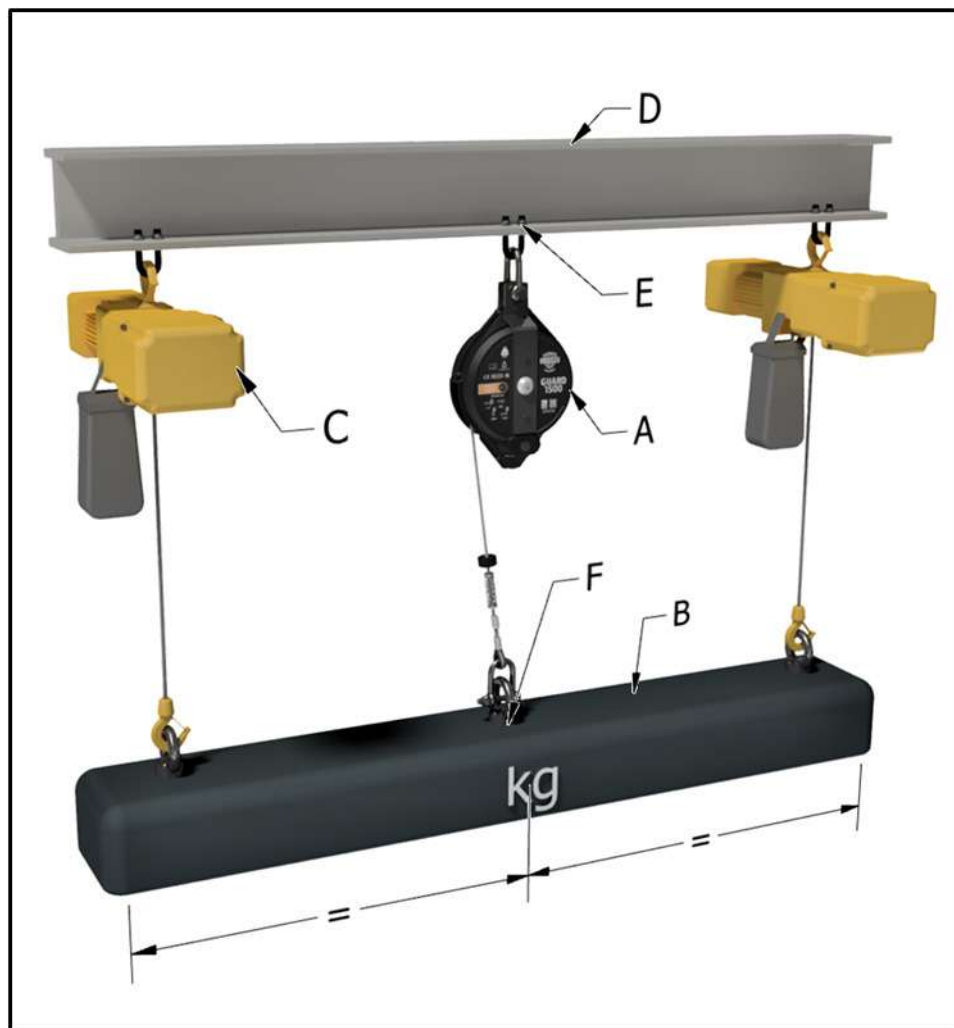
## Legenda

A	Dispositivo anticaduta dei carichi Guard
B	Carico
C	Meccanismo di sollevamento primario
D	Trave di sostegno
E	Punto di ancoraggio

IT

- A. Collegare il dispositivo anticaduta Guard a un punto di ancoraggio tramite il suo grillo di ancoraggio.**
- Assicurarsi che l'uscita del cavo sul dispositivo anticaduta Guard sia rivolto verso il meccanismo primario di sollevamento.
  - Assicurarsi che il dado del grillo di ancoraggio sia fissato a fondo. Non stringere troppo o schiacciare il grillo di ancoraggio.
  - Assicurarsi che il punto di ancoraggio del dispositivo anticaduta Guard non sia a più di 0,5 metri dal punto di ancoraggio del meccanismo primario di sollevamento.
  - Mantenere il dispositivo anticaduta Guard perpendicolare al meccanismo di sollevamento primario per ridurre al minimo la torsione e l'usura.
  - I requisiti minimi di resistenza per il punto di ancoraggio sono specificati nell'appendice A di questo manuale.
- B. Effettuare ispezioni pre-utilizzo come descritto nella Sezione 5 di questo manuale.**
- C. Collegare il grillo del cavo Guard al connettore del carico.**
- Assicurarsi che il dado del grillo del cavo Guard sia ben fissato fino a battuta. Non stringere troppo e non schiacciare il grillo del cavo Guard.
  - Non attaccare il grillo del cavo Guard al gancio del sollevatore.
  - I requisiti di resistenza minima per il punto di ancoraggio specificati nell'appendice A si applicano anche al connettore del carico.
  - Per i carichi con una massa uniformemente distribuita, il connettore del carico deve essere posizionato nel punto centrale del carico.
  - Per i carichi con una massa distribuita in modo non uniforme, il connettore del carico deve essere posizionato in linea con il centro di gravità del carico.
  - L'indicatore rosso, a un metro dal punto di ancoraggio della fune all'unità, non dovrebbe essere visibile all'esterno dell'unità.
- D. Assicurarsi che ci sia almeno 1 metro tra il carico sospeso e qualsiasi persona, attrezzatura sensibile od ostruzioni sotto di esso. Uno spazio aggiuntivo dovrebbe essere fornito dove possibile.**

## 4.2. Installazione sollevatore multiple



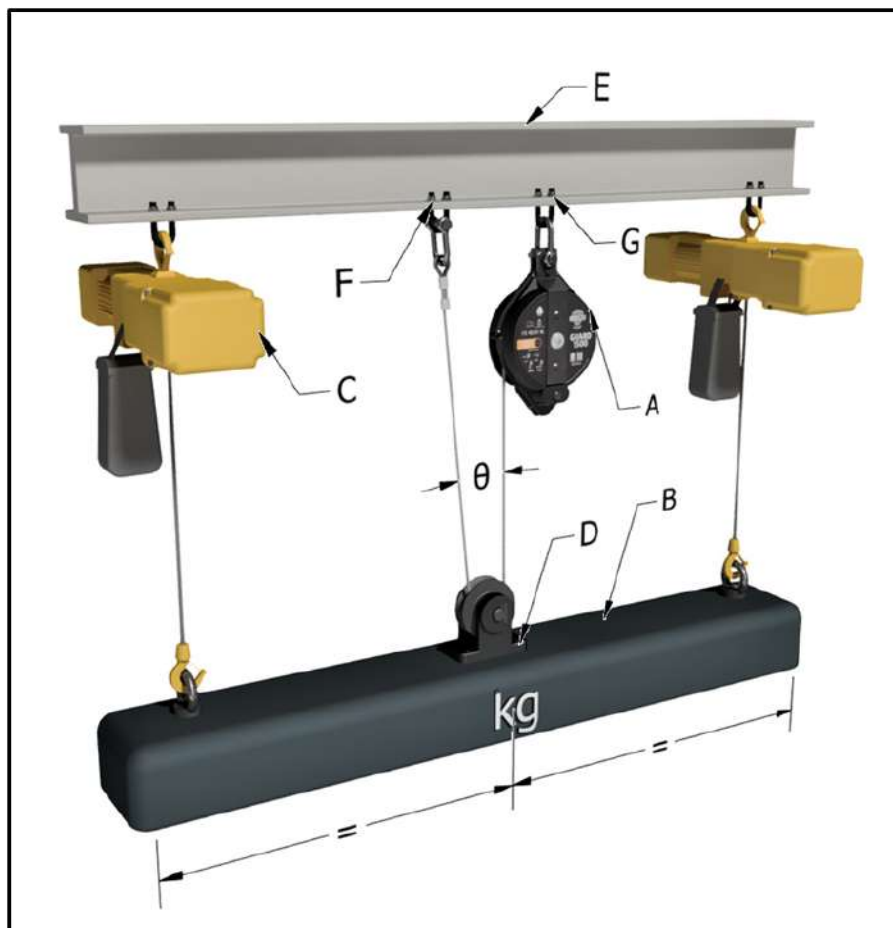
## Legenda

A	Dispositivo anticaduta Guard
B	Carico
C	Meccanismo di sollevamento primario
D	Trave di sostegno
E	Punto di ancoraggio
F	Connettore del carico

IT

- A. Collegare il dispositivo anticaduta Guard a un punto di ancoraggio tramite il suo grillo di ancoraggio.**
- Posizionare il dispositivo anticaduta Guard e il punto di ancoraggio direttamente sopra il punto di collegamento del carico proposto.
  - Assicurarsi che il dado del grillo di ancoraggio sia fissato a fondo. Non stringere troppo o schiacciare il grillo di ancoraggio.
  - Mantenere il dispositivo anticaduta Guard perpendicolare al meccanismo primario di sollevamento per ridurre al minimo la torsione e l'usura.
  - I requisiti minimi di resistenza per il punto di ancoraggio sono specificati nell'appendice A di questo manuale.
- B. Effettuare le ispezioni pre-utilizzo come descritto nella Sezione 5 di questo manuale.**
- C. Collegare il grillo del cavo Guard al connettore del carico.**
- Assicurarsi che il dado del grillo del cavo Guard sia fissato completamente. Non serrare troppo e non schiacciare il grillo del cavo Guard.
  - I requisiti di resistenza minima per il punto di ancoraggio specificati nell'appendice A si applicano anche al connettore del carico.
  - Per i carichi con una massa uniformemente distribuita, il connettore del carico deve essere posizionato nel punto centrale del carico
  - Per i carichi con una massa distribuita in modo irregolare, il connettore del carico deve essere posizionato in linea con il centro di gravità del carico.
  - L'indicatore rosso, a un metro dal punto di ancoraggio della fune all'unità, non dovrebbe essere visibile all'esterno dell'unità.
- D. Assicurarsi che ci sia almeno 1 metro tra il carico sospeso e qualsiasi personale, attrezzatura sensibile od ostruzioni sotto di esso. Uno spazio aggiuntivo dovrebbe essere fornito dove possibile.**

## 4.3. Installazione connettore della puleggia



Legenda

A	Dispositivo anticaduta Guard
B	Carico
C	Meccanismo di sollevamento primario
D	Connettore puleggia
E	Trave di sostegno
F	Punto di ancoraggio secondario
G	Punto di ancoraggio



**A. Collegare il dispositivo anticaduta Guard a un punto di ancoraggio tramite il suo grillo di ancoraggio**

- i. Posizionare il dispositivo anticaduta Guard e il punto di ancoraggio direttamente sopra il punto di collegamento del carico proposto.
- ii. Assicurarci che il dado del grillo di ancoraggio sia fissato a fondo. Non serrare troppo o schiacciare il grillo di ancoraggio.
- iii. Mantenere il dispositivo anticaduta Guard perpendicolare al meccanismo primario di sollevamento per ridurre al minimo la torsione e l'usura.
- iv. I requisiti minimi di resistenza per il punto di ancoraggio sono specificati nell'appendice A di questo manuale.

**B. Effettuare ispezioni pre-utilizzo come descritto nella Sezione 5 di questo manuale.**

**C. Collegare il grillo del cavo Guard al connettore del carico.**

- i. Estrarre il cavo, passarlo sotto il connettore della puleggia o la puleggia e raddoppiarla per fissarla a un punto di ancoraggio secondario. Non attaccare allo stesso punto di ancoraggio del dispositivo anticaduta Guard.
- ii. Assicurarci che il dado del grillo del cavo Guard sia fissato a fondo. Non serrare troppo e non schiacciare il grillo del cavo Guard.
- iii. I requisiti di resistenza minima per il punto di ancoraggio specificati nell'appendice A si applicano anche al connettore del carico.
- iv. Per i carichi con una massa uniformemente distribuita, il connettore del carico deve essere posizionato nel punto centrale del carico.
- v. Per i carichi con una massa distribuita in modo non uniforme, il connettore del carico deve essere posizionato in linea con il centro di gravità del carico.
- vi. Quando in uso, l'angolo  $\theta$  deve rimanere compreso tra  $0^\circ$  e  $45^\circ$ .
- vii. L'indicatore rosso, a un metro dal punto di ancoraggio della fune all'unità, non dovrebbe essere visibile all'esterno dell'unità.

**D. Assicurarci che ci sia almeno 1 metro tra il carico sospeso ed eventuali addetti, attrezzature sensibili od ostruzioni sotto di esso. Uno spazio aggiuntivo dovrebbe essere fornito dove possibile.**

**E. Considerazioni supplementari.**

- L'utilizzo di un connettore a puleggia permette al dispositivo anticaduta Guard di arrestare il doppio del suo carico massimo di lavoro (MWL). Di conseguenza, alcune velocità e forze nel sistema sono modificate.
- i. La forza del connettore della puleggia deve essere il doppio rispetto ai requisiti di ancoraggio specificati nell'appendice A.
  - ii. La trave di sostegno deve essere il doppio dei requisiti di ancoraggio specificati nell'appendice A.
  - iii. La lunghezza del cavo utilizzabile sarà la metà di quella specificata nell'Appendice A.
  - iv. La velocità massima di corsa sarà la metà di quella specificata nell'appendice A.

# 5. Ispezione pre-utilizzo

Tutti i dispositivi anticaduta Guard devono essere sottoposti a un'ispezione pre-utilizzo dopo l'installazione e prima di ogni utilizzo successivo.

Le ispezioni pre-utilizzo devono essere condotte da una persona competente. È buona pratica tenere un registro di tutte le ispezioni pre-utilizzo effettuate. Un esempio di registrazione delle ispezioni è fornito nell'appendice B di questo manuale.

Durante l'esecuzione delle ispezioni pre-utilizzo è necessario indossare un adeguato equipaggiamento di protezione personale (DPI).

## **A. Ispezione visiva del dispositivo anticaduta Guard**

- i. Ispezionare l'involucro per verificare la presenza di eventuali deformazioni o altri danni.
- ii. Confermare che tutti gli elementi di fissaggio siano presenti e ben bloccati.
- iii. Confermare che la lente dell'indicatore di carico sia chiaramente visibile e non mostri il rosso.
- iv. Confermare che tutte le etichette dei prodotti siano presenti e chiaramente leggibili.

## **B. Ispezione visiva del cavo del dispositivo anticaduta Guard**

- i. Confermare che il grillo del cavo Guard sia presente e funzionante.
- ii. Confermare che non ci siano bordi taglienti all'uscita del cavo.
- iii. Estrarre tutto il cavo dal dispositivo anticaduta Guard. Non mollare il cavo.
- iv. Confermare l'assenza di fili danneggiati o rotti.
- v. Confermare l'assenza di segni di corrosione.
- vi. Confermare che il marcatore rosso sia presente sull'ultimo metro del cavo.
- vii. Lasciare che il cavo si ritragga lentamente e confermare che si ritragga tutto nel dispositivo anticaduta Guard.

## **C. Meccanismo di arresto**

- i. Confermare che il meccanismo di arresto si blocchi quando il cavo viene estratto rapidamente (a mano) dal dispositivo anticaduta Guard.

Qualsiasi dispositivo anticaduta Guard che non supera una delle ispezioni pre-utilizzo di cui sopra deve essere immediatamente rimosso dal servizio e inviato a un centro di assistenza approvato da Globestock per manutenzione.

Questa ispezione pre-utilizzo non sostituisce né surclassa qualsiasi requisito legislativo o regolamentare pertinente che può essere in vigore per questo tipo di attrezzatura di lavoro.

## 6. Manutenzione

Tutti i dispositivi anticaduta Guard devono essere sottoposti a manutenzione periodica per garantire che continuino a funzionare in modo sicuro ed efficace.

I dispositivi anticaduta Guard devono essere sottoposti a manutenzione da un manutentore approvato da Globestock almeno ogni 12 mesi. I dispositivi anticaduta Guard possono richiedere una manutenzione più frequente quando vengono utilizzati in ambienti difficili.

I dispositivi anticaduta Guard devono essere sottoposti a manutenzione periodica ogni volta che arrestano la caduta di un carico, indipendentemente dall'ultima manutenzione effettuata. Questa manutenzione non sostituisce né surclassa qualsiasi requisito legislativo o regolamentare pertinente che possa essere in vigore per questo tipo di attrezzatura. Non aprire mai un'unità di guardia, a meno che non sia stata addestrata ed esplicitamente autorizzata a farlo da Globestock.

IT

## 7. Dopo l'arresto di un carico sospeso

Una procedura per recuperare il carico in caso di arresto deve essere definita e documentata da una persona competente, prima di utilizzare i dispositivi anticaduta Guard. Il dispositivo anticaduta Guard si attiva e arresta la caduta del carico sospeso se il sistema primario che sospende tale carico ha un guasto. In questo scenario, è necessario prendere in considerazione gli elementi elencati di seguito:

1. L'area immediatamente circostante deve essere delimitata per evitare qualsiasi accesso non autorizzato vicino o sotto il carico sospeso.
2. Il carico sospeso deve essere manovrato in un'area sicura il più presto possibile. Questa area potrebbe essere il terreno o una piattaforma rialzata adatta a sostenere il carico.
3. Il carico sospeso deve essere sollevato leggermente per consentire al cavo di ritirarsi e disinnestare il meccanismo del freno.
4. Il cavo supplementare può essere estratto dal dispositivo Guard una volta che il meccanismo del freno è stato disinnestato.
5. In determinate circostanze, è possibile che il cavo si attacchi al tamburo del cavo all'interno del dispositivo Guard e impedisca l'estrazione/ritrazione del cavo. In questo scenario, il carico sospeso deve essere sostenuto completamente e poi sganciato dal dispositivo Guard.

**Tutti dispositivi anticaduta Guard che arrestano un carico devono essere immediatamente rimossi dal servizio e inviati a un centro di assistenza approvato da Globestock per manutenzione.**

# 1. Übersicht

Guard Lastsicherungsgeräte sind eine Produktpalette, die von Globestock Limited im Vereinigten Königreich gestaltet wurde und hergestellt wird.

Guard Lastsicherungsgeräte sind einziehbare Lastsicherungsgeräte, die insbesondere gestaltet wurde, den Absturz der Last im Falle eines Tragmittelbruchs zu verhindern. Ein stoßaufnehmender Bremsmechanismus im Guard Lastsicherungsgerät hilft, Beschädigungen der Last während des Auffangens zu verhindern. Guard Lastsicherungsgeräte können das Risiko des Auftretens von Verletzungen, Tod oder Beschädigungen im Falle eines Tragmittelbruchs reduzieren.

Alle Guard Lastsicherungsgeräte, die in dieser Anleitung abgedeckt werden, sind im Anhang A näher beschrieben und nachstehend illustriert.

## 2. Vorsicht

Guard Lastsicherungsgeräte müssen den Anweisungen des Herstellers entsprechend benutzt werden. Geschieht dies nicht, so kann es zu schweren Verletzungen und Tod führen.

Guard Lastsicherungsgeräte dürfen nicht zum Sichern von Personen benutzt werden.

Durch Nutzung eines Guard Lastsicherungsgeräts wird man nicht von der Verantwortlichkeit entoben, das Haupttragmittel den Anweisungen des Herstellers und aller relevanten Gesetzgebung und Vorschriften entsprechend zu inspizieren und zu warten.

Eine formale Bewertung der Installation, des Inspektions- und Wartungsplans sowie jeglicher identifizierter Risiken muss vor Nutzung von Guard Lastsicherungsgeräten von einer kompetenten Person durchgeführt werden.

Die Vorgehensweise zur Bergung der aufgefangenen Last nach Ausfall des Tragmittels muss vor Nutzung der Guard Lastsicherungsgeräte von einer kompetenten Person definiert und dokumentiert werden.

Der mögliche Fallweg unter der Last muss freigehalten werden.

# 3. Identifikation



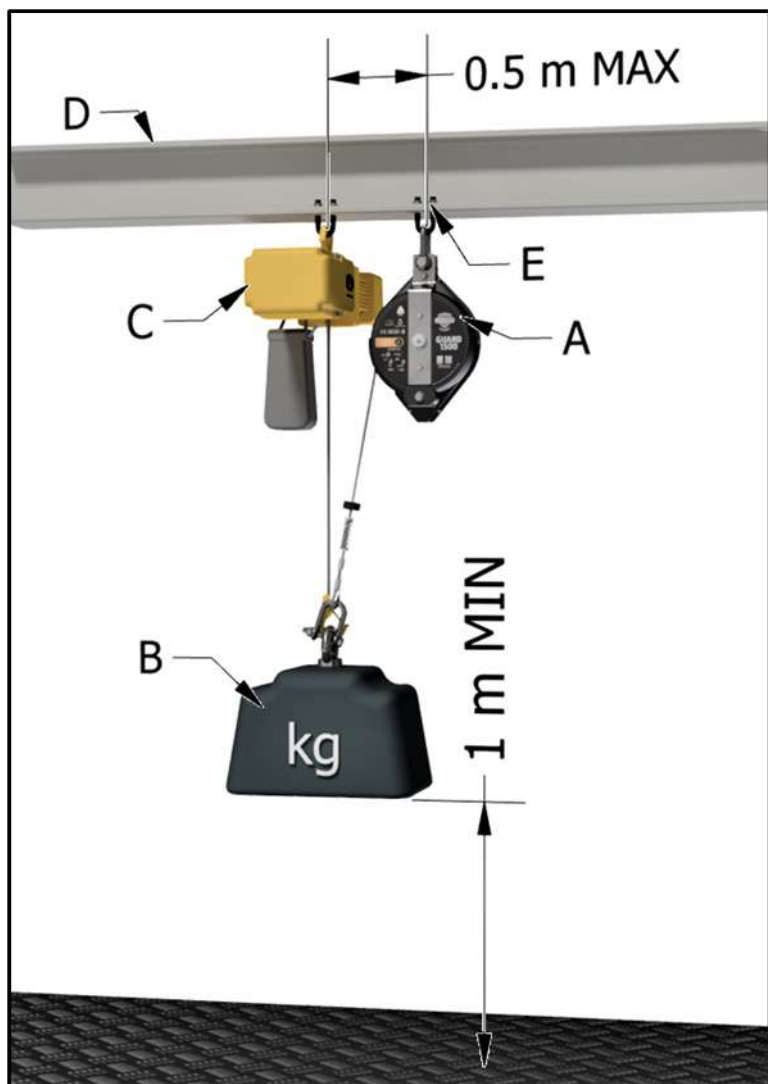
DE

<b>A</b>	<b>Überprüfung vor der Nutzung</b>		
i	Sichtprüfung des Guard Lastsicherungsgeräts durchführen	ii	Lastanzeige überprüfen
iii	Sichtprüfung des Drahtseils durchführen	iv	Bremsmechanismus überprüfen
<b>B</b>	<b>Zusätzliche Informationen</b>		
i	Die Anweisung lesen	ii	Minimale Ankerstärke
iii	Maximale Tragfähigkeit	iv	CE-Kennzeichnung nach Maschinenrichtlinie 2006/42/EG / SMSR / UKCA
v	UKCA Supply of Machinery (Safety) Regulations 2008		
<b>C</b>	<b>Produktinformationen</b>		
i	Produktname	ii	Produktlogo
<b>D</b>	<b>Herstellerangaben</b>		

# 4. Installation

Guard Lastsicherungsgeräte müssen von einer kompetenten Person installiert werden. Die entsprechende persönliche Schutzausrüstung (PSA) muss während der Installation der Guard Lastsicherungsgeräte getragen werden. Wenn irgendwelche Zweifel über jedwede Aspekte der Installation bestehen, bitte mit dem Hersteller oder einem zugelassenen Vertragshändler Kontakt zwecks Klarstellung aufnehmen. Erwägen Sie die Verwendung von Hebehilfen, wenn Sie schwere Geräte installieren.

## 4.1. Installation mit einem Hebezeug

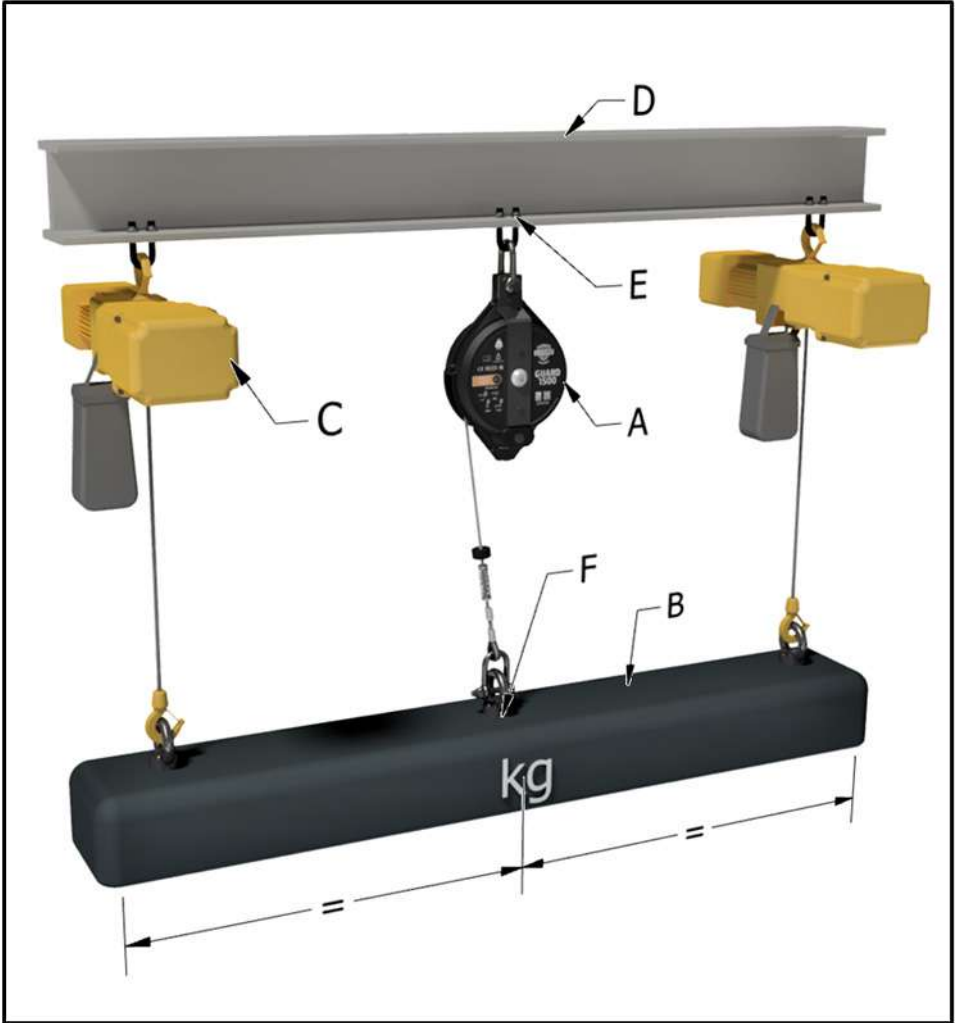


## Legende

A	Guard Lastsicherungsgerät
B	Last
C	Tragmittel
D	Trägerbalken
E	Ankerpunkt

- A. Das Guard Lastsicherungsgerät mit dem Befestigungsschäkel am Ankerpunkt aufhängen.**
- i. Sicherstellen, dass die Seilöffnung des Guard Lastsicherungsgeräts in Richtung des Tragmittels weist.
  - ii. Sicherstellen, dass die Mutter des Befestigungsschäkels vollständig angezogen wird. Nicht zu stark anziehen oder den Schäkel zusammendrücken.
  - iii. Sicherstellen, dass der Ankerpunkt des Guard Lastsicherungsgeräts nicht mehr als 0,5 Meter von dem des Tragmittels entfernt ist.
  - iv. Das Guard Lastsicherungsgerät rechtwinklig zum Tragmittel halten, um Verdrehung und Verschleiß zu minimieren.
  - v. Die minimalen Festigkeitsanforderungen für den Ankerpunkt sind in Anhang A dieser Anleitung spezifiziert.
- B. Die Überprüfungen vor der Nutzung wie in Abschnitt 5 dieser Anleitung beschrieben durchführen.**
- C. Den Schäkel des Guard Drahtseils mit dem Aufhängpunkt der Last verbinden.**
- i. Sicherstellen, dass die Mutter des Schäkels des Guard Drahtseils vollständig angezogen wird. Nicht zu stark anziehen oder den Schäkel des Guard Drahtseils zusammendrücken.
  - ii. Den Schäkel des Guard Drahtseils nicht mit dem Haken des Tragmittels verbinden.
  - iii. Die minimalen Festigkeitsanforderungen für den Ankerpunkt sind in Anhang A dieser Anleitung spezifiziert und gelten auch für den Lastaufhängpunkt.
  - iv. Bei Lasten mit gleichmäßig verteilter Masse muss sich der Lastaufhängpunkt im Mittelpunkt befinden.
  - v. Bei Lasten mit ungleichmäßig verteilter Masse muss sich der Lastaufhängpunkt auf einer Linie mit dem Massenschwerpunkt befinden.
  - vi. Die rote Markierung, einen Meter vom Ankerpunkt des Seils am Gerät entfernt, sollte außerhalb des Geräts nicht sichtbar sein.
- D. Sicherstellen, dass ein Abstand von mindestens 1 Meter unterhalb der abgehängten Last und jeglichem Personal, empfindlichem Gerät oder Hindernissen besteht. Zusätzlicher Freiraum sollte wo immer möglich geboten werden.**

## 4.2. Installation mit mehreren Hebezeugen





## Legende

A	Guard Lastsicherungsgerät
B	Last
C	Tragmittel
D	Trägerbalken
E	Ankerpunkt
F	Lastaufhängpunkt

DE

### **A. Das Guard Lastsicherungsgerät mit dem Befestigungsschäkel am Ankerpunkt aufhängen.**

- i. Das Guard Lastsicherungsgerät und den Ankerpunkt direkt oberhalb des beabsichtigten Lastaufhängpunkts positionieren.
- ii. Sicherstellen, dass die Mutter des Befestigungsschäkels vollständig angezogen wird. Nicht zu stark anziehen oder den Schäkel zusammendrücken.
- iii. Das Guard Lastsicherungsgerät rechtwinklig zum Tragmittel halten, um Verdrehung und Verschleiß zu minimieren.
- iv. Die minimalen Festigkeitsanforderungen für den Ankerpunkt sind in Anhang A dieser Anleitung spezifiziert.

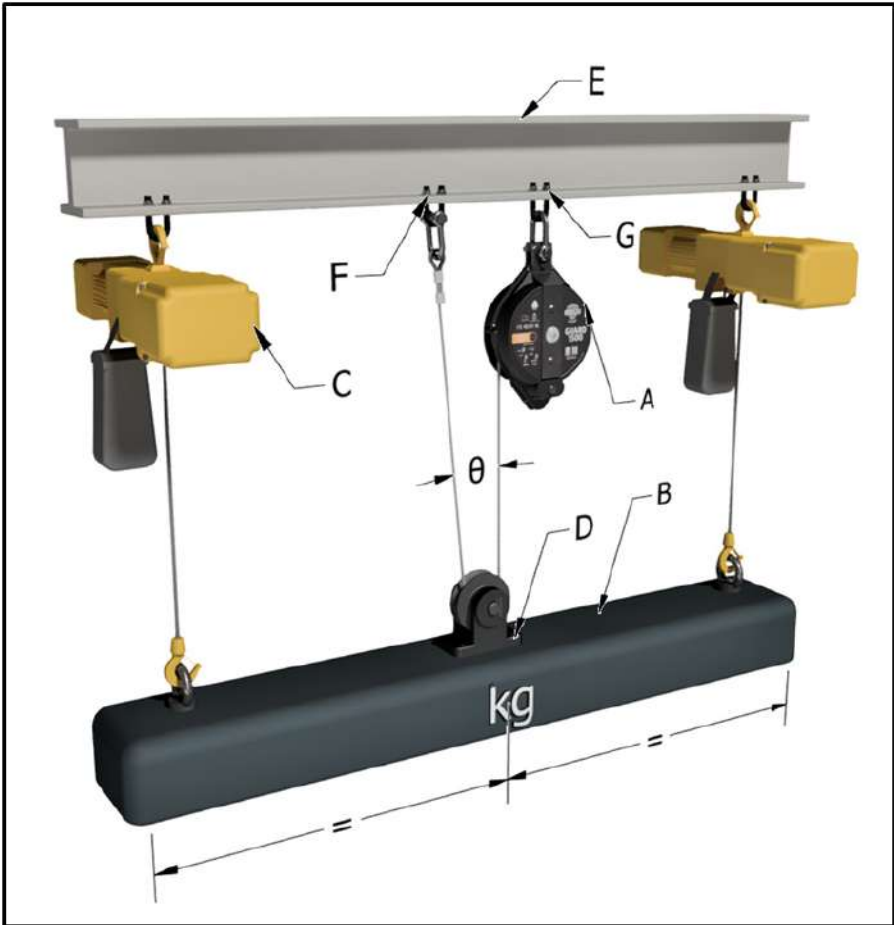
### **B. Die Überprüfungen vor der Nutzung wie in Abschnitt 5 dieser Anleitung beschrieben durchführen.**

### **C. Den Schäkel des Guard Drahtseils mit dem Aufhängpunkt der Last verbinden.**

- i. Sicherstellen, dass die Mutter des Schäkels des Guard Drahtseils vollständig angezogen wird. Nicht zu stark anziehen oder den Schäkel des Guard Drahtseils zusammendrücken.
- ii. Die minimalen Festigkeitsanforderungen für den Ankerpunkt sind in Anhang A dieser Anleitung spezifiziert und gelten auch für den Lastaufhängpunkt.
- iii. Bei Lasten mit gleichmäßig verteilter Masse muss sich der Lastaufhängpunkt im Mittelpunkt befinden.
- iv. Bei Lasten mit ungleichmäßig verteilter Masse muss sich der Lastaufhängpunkt auf einer Linie mit dem Massenschwerpunkt befinden.
- v. Die rote Markierung, einen Meter vom Ankerpunkt des Seils am Gerät entfernt, sollte außerhalb des Geräts nicht sichtbar sein.

### **D. Sicherstellen, dass ein Abstand von mindestens 1 Meter unterhalb der abgehängten Last und jeglichem Personal, empfindlichem Gerät oder Hindernissen besteht. Zusätzlicher Freiraum sollte wo immer möglich geboten werden.**

## 4.3. Installation mit Umlenkrolle



Legende

A	Guard Lastsicherungsgerät
B	Last
C	Tragmittel
D	Umlenkrollenbefestigung
E	Trägerbalken
F	Sekundär-Ankerpunkt
G	Ankerpunkt

- A. Das Guard Lastsicherungsgerät mit dem Befestigungsschäkel am Ankerpunkt aufhängen.**
- i. Das Guard Lastsicherungsgerät und den Ankerpunkt direkt oberhalb des beabsichtigten Lastaufhängpunkts positionieren.
  - ii. Sicherstellen, dass die Mutter des Befestigungsschäkels vollständig angezogen wird. Nicht zu stark anziehen oder den Schäkel zusammendrücken.
  - iii. Das Guard Lastsicherungsgerät rechtwinklig zum Tragmittel halten, um Verdrehung und Verschleiß zu minimieren.
  - iv. Die minimalen Festigkeitsanforderungen für den Ankerpunkt sind in Anhang A dieser Anleitung spezifiziert.
- B. Die Überprüfungen vor der Nutzung wie in Abschnitt 5 dieser Anleitung beschrieben durchführen.**
- C. Den Schäkel des Guard Drahtseils mit dem Aufhängpunkt der Last verbinden.**
- i. Das Drahtseil aus dem Lastsicherungsgerät herausziehen, unter der Umlenkrolle oder Seilscheibe hindurchführen und am Sekundär-Ankerpunkt befestigen. Das Drahtseil nicht am gleichen Ankerpunkt wie das Guard Lastsicherungsgerät befestigen.
  - ii. Sicherstellen, dass die Mutter des Schäkels des Guard Drahtseils vollständig angezogen wird. Nicht zu stark anziehen oder den Schäkel des Guard Drahtseils zusammendrücken.
  - iii. Die minimalen Festigkeitsanforderungen für den Ankerpunkt sind in Anhang A dieser Anleitung spezifiziert und gelten auch für den Lastaufhängpunkt.
  - iv. Bei Lasten mit gleichmäßig verteilter Masse muss sich der Lastaufhängpunkt im Mittelpunkt befinden.
  - v. Bei Lasten mit ungleichmäßig verteilter Masse muss sich der Lastaufhängpunkt auf einer Linie mit dem Massenschwerpunkt befinden.
  - vi. Wenn diese Konstellation benutzt wird, muss der Winkel  $\theta$  zwischen  $0^\circ$  und  $45^\circ$  bleiben.
  - vii. Die rote Markierung, einen Meter vom Ankerpunkt des Seils am Gerät entfernt, sollte außerhalb des Geräts nicht sichtbar sein.
- D. Sicherstellen, dass ein Abstand von mindestens 1 Meter unterhalb der abgehängten Last und jeglichem Personal, empfindlichem Gerät oder Hindernissen besteht. Zusätzlicher Freiraum sollte wo immer möglich geboten werden.**
- E. Zusätzliche Überlegungen.**
- Wenn eine Umlenkrolle eingesetzt wird, kann das Guard Lastsicherungsgerät eine Last mit dem doppelten Gewicht seiner maximalen Tragfähigkeit auffangen. Als ein Ergebnis ändern sich bestimmte Geschwindigkeiten und Kräfte im System.
- i. Die Umlenkrollenbefestigung muss eine Tragfähigkeit haben, die der doppelten der in Anhang A angegebenen entspricht.
  - ii. Der Trägerbalken muss eine Tragfähigkeit haben, die der doppelten der in Anhang A angegebenen entspricht.
  - iii. Die nutzbare Seillänge wird auf die Hälfte der in Anhang A angegebenen reduziert.
  - iv. Die maximale Laufgeschwindigkeit wird auf die Hälfte der in Anhang A angegebenen reduziert.

# 5. Überprüfung vor der Nutzung

An allen Guard Lastsicherungsgeräten muss nach der Installation und vor jeglicher anschließenden Nutzung eine Überprüfung vor der Nutzung durchgeführt werden.

Die Überprüfungen vor der Nutzung müssen von einer kompetenten Person durchgeführt werden. Es ist gute Praxis, alle Überprüfungen vor der Nutzung aufzuzeichnen. Ein Beispiel eines Prüfprotokolls befindet sich in Anhang B dieses Handbuchs.

Die entsprechende persönliche Schutzausrüstung (PSA) muss während der Durchführung der Überprüfung vor der Nutzung getragen werden.

## **A. Sichtprüfung des Guard Lastsicherungsgeräts**

- i. Das Gehäuse auf Deformationen und jegliche andere Beschädigungen überprüfen.
- ii. Bestätigen, dass alle Befestigungen vorhanden und sicher sind.
- iii. Bestätigen, dass das Lastanzeigefenster klar sichtbar und nicht rot ist.
- iv. Bestätigen, dass alle Produktetiketten vorhanden und klar leserlich sind.

## **B. Sichtprüfung des Drahtseils des Guard Lastsicherungsgeräts**

- i. Bestätigen, dass der Guard Drahtseilschäkel vorhanden und funktionsfähig ist.
- ii. Bestätigen, dass es am Drahtseilauslass keine scharfen Kanten gibt.
- iii. Das Drahtseil ganz aus dem Guard Lastsicherungsgerät herausziehen. Dabei das Drahtseil nicht loslassen.
- iv. Bestätigen, dass es keine beschädigten oder gebrochenen Drahtseillitzen gibt.
- v. Bestätigen, dass es keinerlei Anzeichen von Korrosion gibt.
- vi. Bestätigen, dass der letzte Meter des Drahtseils rot gekennzeichnet ist.
- vii. Das Drahtseil langsam in das Lastsicherungsgerät einziehen lassen und bestätigen, dass es vollständig eingezogen wird.

## **C. Bremsmechanismus**

- i. Bestätigen, dass der Bremsmechanismus verriegelt, wenn das Drahtseil schnell (von Hand) aus dem Guard Lastsicherungsgerät herausgezogen wird.

Alle Guard Lastsicherungsgeräte, die jegliche der obigen Überprüfungen vor der Nutzung nicht bestehen, müssen sofort außer Betrieb genommen und an eine von Globestock zugelassene Kundendienststelle zur Reparatur geschickt werden.

Diese Überprüfung vor der Nutzung ersetzt nicht und löst nicht jegliche relevante Gesetzgebung oder regulatorischen Anforderungen ab, die für diese Art von Arbeitsgerät gültig sind.

## 6. Wartung

Alle Guard Lastsicherungsgeräte müssen regelmäßig gewartet werden, um sicherzustellen, dass sie weiterhin sicher und effektiv funktionieren.

Guard Lastsicherungsgeräte müssen mindestens alle 12 Monate von einer von Globestock zugelassenen Kundendienststelle gewartet werden. Häufigere Wartung der Guard Lastsicherungsgeräte kann erforderlich sein, wenn sie in rauen Umfeldern eingesetzt werden. Guard Lastsicherungsgeräte müssen immer gewartet werden, nachdem sie eine Last aufgefangen haben, unabhängig davon, wann sie zuletzt gewartet wurden. Diese Wartung ersetzt nicht und löst nicht jegliche relevante Gesetzgebung oder regulatorischen Anforderungen ab, die für diese Art von Gerät gültig sind. Öffnen Sie niemals eine Guard-Einheit, es sei denn, Sie wurden von Globestock entsprechend geschult und ausdrücklich dazu autorisiert.

DE

## 7. Nach dem Auffangen

Die Vorgehensweise zur Bergung der aufgefangenen Last nach Ausfall des Tragmittels muss vor Nutzung der Guard Lastsicherungsgeräten von einer kompetenten Person definiert und dokumentiert werden.

Das Guard Lastsicherungsgerät wird aktiviert und fängt die Last auf, wenn das Tragmittel ausfällt, von dem die Last abgehängt ist. In einem derartigen Fall muss das nachstehend Aufgeführte durchgeführt werden:

1. Der unmittelbare Umgebungsbereich muss abgesperrt werden, um unerlaubten Zugang in die Nähe oder unter der abgehängten Last zu verhindern.
2. Die abgehängte Last muss so schnell wie möglich in einen sicheren Bereich manövriert werden. Dies kann der Boden oder eine geeignete Hebebühne sein, die in der Lage ist, das Gewicht der Last aufzunehmen.
3. Die abgehängte Last muss geringfügig angehoben werden, sodass sich das Drahtseil einziehen und der Bremsmechanismus ausrücken kann.
4. Nachdem der Bremsmechanismus ausgerückt hat, kann zusätzliches Drahtseil aus dem Guard Lastsicherungsgerät herausgezogen werden.
5. Unter bestimmten Umständen kann sich das Drahtseil fest mit der Seiltrommel im Guard Lastsicherungsgerät verbinden und so das Heraus- / Einziehen des Drahtseils verhindern. In derartigen Fällen muss die Last vollständig unterstützt und vom Guard Lastsicherungsgerät gelöst werden.

**Alle Guard Lastsicherungsgeräte, die eine Last aufgefangen haben, müssen sofort außer Betrieb genommen und an eine von Globestock zugelassene Kundendienststelle zur Reparatur geschickt werden.**

The table below details the specifications for every product in Guard load arrestor range.

Name	Product Code	Maximum Working Load		Rope Length		Wire Rope Material	Minimum Anchor Strength		Maximum Running Speed		Minimum to Maximum Operating Temperature	
		kg	lbs	m	ft		kN	lbf	m s <sup>-1</sup>	ft s <sup>-1</sup>	c	f
GUARD150	GSE150-14G	150	330	14	46	Galvanised Steel	7.4	1,663	1	3.280		
	GSE150-14S	150	330	14	46	Stainless Steel	7.4	1,663	1	3.280		
GUARD300	GSE300-10G	300	660	10	33	Galvanised Steel	14.1	3,169	0.7	2.297		
	GSE300-10S	300	660	10	33	Stainless Steel	14.1	3,169	0.7	2.297		
	GSE300-25G	300	660	25	82	Galvanised Steel	14.1	3,169	0.7	2.297		
	GSE300-25S	300	660	25	82	Stainless Steel	14.1	3,169	0.7	2.297		
GUARD500	GSE500-10S	500	1,100	10	33	Stainless Steel	20.6	4,631	0.7	2.297		
	GSE500-24S	500	1,100	24	79	Stainless Steel	20.6	4,631	0.7	2.297		
	GSE500-10G	500	1,100	10	33	Galvanised Steel	20.6	4,631	0.7	2.297		
	GSE500-24G	500	1,100	24	79	Galvanised Steel	20.6	4,631	0.7	2.297		
GUARD800	GSE800-10S	800	1,760	10	33	Stainless Steel	45.1	10,123	0.6	1.969		
GUARD1000	GSE1000-10G	1000	2,200	10	33	Galvanised Steel	45.1	10,123	0.6	1.969		
GUARD1500	GSE1500-10G	1500	3,300	10	33	Galvanised Steel	63.3	14,230	0.6	1.969		
											-40 > 50	-40 > 122

# Apéndice A

ES

En la siguiente tabla se detallan las especificaciones de cada producto de dispositivos anticaídas Guard.

Nombre	Código del producto	Carga máxima de trabajo		Longitud de la cuerda		Material del cable de acero	Resistencia mínima de anclaje		Velocidad máxima de circulación		Mínimo a Máximo Operando La temperatura	
		kg	lbs	m	ft		kN	lbf	m s <sup>-1</sup>	ft s <sup>-1</sup>	c	f
GUARD150	GSE150-14G	150	330	14	46	Acero galvanizado	7.4	1,663	1	3.280	-40 > 50	-40 > 122
	GSE150-14S	150	330	14	46	Acero inoxidable	7.4	1,663	1	3.280		
GUARD300	GSE300-10G	300	660	10	33	Acero galvanizado	14.1	3,169	0.7	2.297		
	GSE300-10S	300	660	10	33	Acero inoxidable	14.1	3,169	0.7	2.297		
	GSE300-25G	300	660	25	82	Acero galvanizado	14.1	3,169	0.7	2.297		
	GSE300-25S	300	660	25	82	Acero inoxidable	14.1	3,169	0.7	2.297		
GUARD500	GSE500-10S	500	1,100	10	33	Acero inoxidable	20.6	4,631	0.7	2.297		
	GSE500-24S	500	1,100	24	79	Acero inoxidable	20.6	4,631	0.7	2.297		
	GSE500-10G	500	1,100	10	33	Acero galvanizado	20.6	4,631	0.7	2.297		
	GSE500-24G	500	1,100	24	79	Acero galvanizado	20.6	4,631	0.7	2.297		
GUARD800	GSE800-10S	800	1,760	10	33	Acero inoxidable	45.1	10,123	0.6	1.969		
GUARD1000	GSE1000-10G	1000	2,200	10	33	Acero galvanizado	45.1	10,123	0.6	1.969		
GUARD1500	GSE1500-10G	1500	3,300	10	33	Acero galvanizado	63.3	14,230	0.6	1.969		

Le tableau ci-dessous détaille les caractéristiques de chaque produit de la gamme de dispositifs d'arrêt de charge Guard.

Nom	Code produit	Charge utile maximale		Longueur de la corde		Matériau du câble métallique	Force d'ancrage minimale		Vitesse de fonctionnement maximale		Minimum à Maximum en fonctionnement Température	
		kg	lbs	m	ft		kN	lbf	m s <sup>-1</sup>	ft s <sup>-1</sup>	c	f
GUARD150	GSE150-14G	150	330	14	46	Acier galvanisé	7.4	1,663	1	3.280	-40 > 50	-40 > 122
	GSE150-14S	150	330	14	46	Acier inoxydable	7.4	1,663	1	3.280		
GUARD300	GSE300-10G	300	660	10	33	Acier galvanisé	14.1	3,169	0.7	2.297		
	GSE300-10S	300	660	10	33	Acier inoxydable	14.1	3,169	0.7	2.297		
	GSE300-25G	300	660	25	82	Acier galvanisé	14.1	3,169	0.7	2.297		
	GSE300-25S	300	660	25	82	Acier inoxydable	14.1	3,169	0.7	2.297		
GUARD500	GSE500-10S	500	1,100	10	33	Acier inoxydable	20.6	4,631	0.7	2.297		
	GSE500-24S	500	1,100	24	79	Acier inoxydable	20.6	4,631	0.7	2.297		
	GSE500-10G	500	1,100	10	33	Acier galvanisé	20.6	4,631	0.7	2.297		
	GSE500-24G	500	1,100	24	79	Acier galvanisé	20.6	4,631	0.7	2.297		
GUARD800	GSE800-10S	800	1,760	10	33	Acier inoxydable	45.1	10,123	0.6	1.969		
GUARD1000	GSE1000-10G	1000	2,200	10	33	Acier galvanisé	45.1	10,123	0.6	1.969		
GUARD1500	GSE1500-10G	1500	3,300	10	33	Acier galvanisé	63.3	14,230	0.6	1.969		



# Bijlage A

De onderstaande tabel geeft de specificaties voor elk product in het assortiment Guard-lastbeveiligingen .

NL

Naam	Productcode	Maximale werkbelasting		Draadlengte		Draadkabelmateriaal	Minimale ankersterkte		Maximale afrolsnelheid		Minimaal tot maximaal Bediening Temperatuur	
		kg	lbs	m	ft		kN	lbf	m s <sup>-1</sup>	ft s <sup>-1</sup>	c	f
GUARD150	GSE150-14G	150	330	14	46	Verzinkt staal	7.4	1,663	1	3.280		
	GSE150-14S	150	330	14	46	Roestvrij staal	7.4	1,663	1	3.280		
GUARD300	GSE300-10G	300	660	10	33	Verzinkt staal	14.1	3,169	0.7	2.297		
	GSE300-10S	300	660	10	33	Roestvrij staal	14.1	3,169	0.7	2.297		
	GSE300-25G	300	660	25	82	Verzinkt staal	14.1	3,169	0.7	2.297		
	GSE300-25S	300	660	25	82	Roestvrij staal	14.1	3,169	0.7	2.297		
GUARD500	GSE500-10S	500	1,100	10	33	Roestvrij staal	20.6	4,631	0.7	2.297		
	GSE500-24S	500	1,100	24	79	Roestvrij staal	20.6	4,631	0.7	2.297		
	GSE500-10G	500	1,100	10	33	Verzinkt staal	20.6	4,631	0.7	2.297		
	GSE500-24G	500	1,100	24	79	Verzinkt staal	20.6	4,631	0.7	2.297		
GUARD800	GSE800-10S	800	1,760	10	33	Roestvrij staal	45.1	10,123	0.6	1.969		
GUARD1000	GSE1000-10G	1000	2,200	10	33	Verzinkt staal	45.1	10,123	0.6	1.969		
GUARD1500	GSE1500-10G	1500	3,300	10	33	Verzinkt staal	63.3	14,230	0.6	1.969		
											-40 >	-40 >
											50	122

# Appendice A

La tabella seguente dettaglia le specifiche di ogni prodotto della gamma di dispositivi anticaduta Guard.

Nome	Codice prodotto	Carico max di lavoro		Lunghezza cavo		Materiale del cavo	Resistenza min ancoraggio		Velocità max di corsa		Da minimo a massimo Operativo Temperatura	
		kg	lbs	m	ft		kN	lbf	m s <sup>-1</sup>	ft s <sup>-1</sup>	c	f
GUARD150	GSE150-14G	150	330	14	46	Acciaio zincato	7.4	1,663	1	3.280		
	GSE150-14S	150	330	14	46	Acciaio inox	7.4	1,663	1	3.280		
GUARD300	GSE300-10G	300	660	10	33	Acciaio zincato	14.1	3,169	0.7	2.297		
	GSE300-10S	300	660	10	33	Acciaio inox	14.1	3,169	0.7	2.297		
	GSE300-25G	300	660	25	82	Acciaio zincato	14.1	3,169	0.7	2.297		
GUARD500	GSE300-25S	300	660	25	82	Acciaio inox	14.1	3,169	0.7	2.297		
	GSE500-10S	500	1,100	10	33	Acciaio inox	20.6	4,631	0.7	2.297		
	GSE500-24S	500	1,100	24	79	Acciaio inox	20.6	4,631	0.7	2.297		
	GSE500-10G	500	1,100	10	33	Acciaio zincato	20.6	4,631	0.7	2.297		
	GSE500-24G	500	1,100	24	79	Acciaio zincato	20.6	4,631	0.7	2.297		
GUARD800	GSE800-10S	800	1,760	10	33	Acciaio inox	45.1	10,123	0.6	1.969		
GUARD1000	GSE1000-10G	1000	2,200	10	33	Acciaio zincato	45.1	10,123	0.6	1.969		
GUARD1500	GSE1500-10G	1500	3,300	10	33	Acciaio zincato	63.3	14,230	0.6	1.969		
											-40 > 50	-40 > 122


# Anhang A


Die nachstehende Tabelle gibt Einzelheiten über alle Produkte der Guard Lastsicherungsgerätepalette.

Name	Produktcode	Maximale Tragfähigkeit		Drahtseillänge		Material des Drahtseils	Minimale Ankerstärke		Maximale Laufgeschwindigkeit		Minimum bis Maximum Betriebs Temperatur	
		kg	lbs	m	ft		kN	lbf	m s <sup>-1</sup>	ft s <sup>-1</sup>	c	f
GUARD150	GSE150-14G	150	330	14	46	Verzinkter Stahl	7.4	1,663	1	3.280		
	GSE150-14S	150	330	14	46		7.4	1,663	1	3.280		
GUARD300	GSE300-10G	300	660	10	33	Verzinkter Stahl	14.1	3,169	0.7	2.297		
	GSE300-10S	300	660	10	33	Edelstahl	14.1	3,169	0.7	2.297		
	GSE300-25G	300	660	25	82	Verzinkter Stahl	14.1	3,169	0.7	2.297		
	GSE300-25S	300	660	25	82	Edelstahl	14.1	3,169	0.7	2.297		
GUARD500	GSE500-10S	500	1,100	10	33	Edelstahl	20.6	4,631	0.7	2.297		-40 > 122
	GSE500-24S	500	1,100	24	79	Edelstahl	20.6	4,631	0.7	2.297		
	GSE500-10G	500	1,100	10	33	Verzinkter Stahl	20.6	4,631	0.7	2.297		
	GSE500-24G	500	1,100	24	79	Verzinkter Stahl	20.6	4,631	0.7	2.297		
GUARD800	GSE800-10S	800	1,760	10	33	Edelstahl	45.1	10,123	0.6	1.969		
GUARD1000	GSE1000-10G	1000	2,200	10	33	Verzinkter Stahl	45.1	10,123	0.6	1.969		
GUARD1500	GSE1500-10G	1500	3,300	10	33	Verzinkter Stahl	63.3	14,230	0.6	1.969		



## Inspection Record

 <b>Inspection Record</b>		Guard ID			
		Product Code:			
		Serial Number:			
		Date of Manufacture:			
		Date of Last Service:			
Guard	Date:				
	Inspect case for deformation or any other damage.				
	All fasteners are present and secure.				
	Load indicator is clearly visible and does not show red.				
	All product labels are present and clearly legible.				
Wire Rope	Shackle is present and functional.				
	No sharp edges present at rope exit.				
	Extract all wire rope and slowly allow it to retract back into the Guard.				
	No damaged or broken strands.				
	No signs of corrosion.				
	All wire rope can be extracted.				
	Red marker is present on last metre of rope.				
	All rope retracts back into Guard.				
Arrest Mechanism	Arrest mechanism locks when rope is extracted quickly (by hand).				

 <h2 style="text-align: center;">Registro de inspección</h2>		ID de Guard				
		Código del producto:				
		Número de serie:				
		Fecha de fabricación:				
Fecha del último servicio:						
Guard	<b>La fecha:</b>					
	Inspeccione la caja en caso de deformaciones o cualquier otro daño.					
	Todos los elementos de fijación están presentes y son seguros.					
	La lente del indicador de carga es claramente visible y no está en color rojo.					
	Todas las etiquetas de los productos están presentes y son claramente legibles.					
Cable de acero	El grillete está presente y es funcional.					
	No hay bordes afilados en la salida de la cuerda.					
	Extraiga todo el cable de acero y deje que se retraiga lentamente hacia el interior del protector Guard.					
	No hay hebras dañadas o rotas.					
	No hay signos de corrosión.					
Mecanismo de contención de carga	Todo el cable de acero puede ser extraído.					
	El marcador rojo está presente en el último metro de cable.					
	Todo el cable se retrae el protector Guard					
	El mecanismo de contención se bloquea cuando el cable se extrae rápidamente (a mano).					



## Dossier d'inspection

ID du Guard

Code produit :

Numéro de série :


Date de fabrication :

Date du dernier entretien :

		Date:			
Guard	Inspecter le boîtier pour chercher toute trace de déformation ou de tout autre dommage.				
	Toutes les attaches sont présentes et sécurisées.				
	La lentille de l'indicateur de charge est clairement visible et n'est pas rouge.				
	Toutes les étiquettes des produits sont présentes et clairement lisibles.				
	La manille est présente et fonctionnelle.				
Câble métallique	Pas d'arêtes vives présentes à la sortie de la corde.				
	Extraire tout le câble métallique et le laisser lentement se rétracter dans le Guard.				
	Pas de brins endommagés ou cassés.				
	Aucun signe de corrosion.				
	Tous les câbles métalliques peuvent être extraits.				
Mécanisme d'arrêt	Un marqueur rouge est présent sur le dernier mètre de corde.				
	Toute la corde se rétracte dans le Guard.				
	Le mécanisme d'arrêt se bloque lorsque la corde est extraite rapidement (à la main).				
	Inspecté par :				



## Inspectie-record

 <b>Inspectie-record</b>		Guard-id									
		Productcode:									
		Serienummer:									
		Productiedatum:									
		Datum laatste onderhoud:									
Guard	Datum:										
	Inspecteer de behuizing op vervorming of andere schade.										
	Alle bevestigingsmiddelen zijn aanwezig en zitten goed vast.										
	De lastindicatorlens is duidelijk zichtbaar en niet rood.										
	Alle productlabels zijn aanwezig en duidelijk leesbaar.										
	Beugel is aanwezig en functioneel.										
	Er zijn geen scherpe randen aanwezig bij de uitgang van de draad.										
	Trek de volledige draadkabel uit en laat hem langzaam in de Guard terugrollen.										
	Geen beschadigde of gebroken strengen.										
	Geen tekenen van roest.										
	De volledige draadkabel kan worden uitgetrokken.										
	De rode markering op de laatste meter van de draadkabel is aanwezig.										
	De volledige draadkabel kan in de Guard worden teruggerold.										
Stopzettingsmechanisme	Het stopzettingsmechanisme vergrendelt wanneer de kabel snel (handmatig) wordt uitgetrokken.										
	<b>Geïnspecteerd door:</b>										

# Appendice B



## Scheda d'ispezione

		ID Guard			
		Codice prodotto:	Numero di serie:	Data di produzione:	Data ultima assistenza:
Guard	<b>Data:</b>				
	Ispezionare l'involucro per verificare la presenza di deformazioni o altri danni.				
	Tutti gli elementi di fissaggio sono presenti e ben bloccati.				
	La lente dell'indicatore di carico è chiaramente visibile e non è rossa.				
	Tutte le etichette dei prodotti sono presenti e chiaramente leggibili.				
	Il grillo è presente e funzionante.				
	Nessun bordo tagliente presente all'uscita del cavo.				
	Estrarre tutto il cavo e lasciarlo lentamente rientrare nel Guard.				
	Nessun filo è danneggiato o rotto.				
	Nessun segno di corrosione.				
Cavo	E' possibile estrarre l'intero cavo.				
	Il marcatore rosso è presente sull'ultimo metro di cavo.				
	Tutto il cavo si ritrae nel Guard.				
	Il meccanismo di arresto si blocca quando il cavo viene estratto rapidamente (a mano)).				
Meccanismo di arresto					
<b>Ispezionato da:</b>					





## Prüfprotokoll

		Guard-ID									
		Produktcode:									
		Seriennummer:									
		Herstellungsdatum:									
Datum des letzten Service:											
		Datum:									
Guard	Das Gehäuse auf Deformationen und jegliche andere Beschädigungen überprüfen.										
	Alle Befestigungen sind vorhanden und sicher.										
Drahtseil	Das Lastanzeigefenster ist klar sichtbar und nicht rot.										
	Alle Produktetiketten sind vorhanden und klar lesbar.										
	Schäkel ist vorhanden und funktionsfähig.										
	Keine scharfen Kanten am Drahtseilauslass.										
	Das Drahtseil herausziehen und langsam wieder in das Lastsicherungsgerät einziehen lassen.										
	Keine beschädigten oder gebrochenen Drahtseillitzen.										
Bremsmechanismus	Keine Anzeichen von Korrosion.										
	Das gesamte Drahtseil kann herausgezogen werden.										
	Der letzte Meter des Drahtseils ist rot gekennzeichnet.										
	Das gesamte Drahtseil wird von alleine wieder eingezogen.										
Der Bremsmechanismus verriegelt, wenn das Drahtseil schnell (von Hand) herausgezogen wird.											

# Notes

# Notes



[www.guardloadarrest.com](http://www.guardloadarrest.com)

EU Declaration Of Conformity available at

<https://guardloadarrest.com/declarations-of-conformity/>

100-009, issue #7

Guard Load Arrest is a Globestock Ltd. brand.

Globestock Ltd. reserve the right to change specifications without prior notice.

All information herein is copyright protected by Globestock Ltd. 2022