
MANUAL

User's Manual(Operator)

RJ - Rack Jack



Instruction Manual

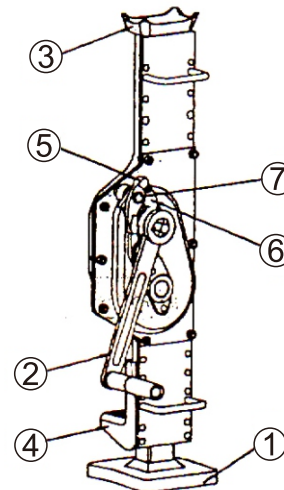
The steel jack is designed by mechanical transmission principle. It's one of the best lift tools used in repairing and supporting, etc. The lifting or lowering speed is controllable. Moreover, it overcomes the shortcoming of the common hydraulic jacks whose lowering height and speed is out of control when oil leaking.

The top-quality all steel structure makes it safe and durable. The compact design with collapsible lever offers easy operation and simple maintenance. It has two applicable support stands. The lifting range is much bigger.

Operation Guide

Put the steel jack on even places. Then place the goods on the lower support stand (4) or the upper support stand (3). Shake the level (2) clockwise to lift the goods, vice versa, the goods are lowered down.

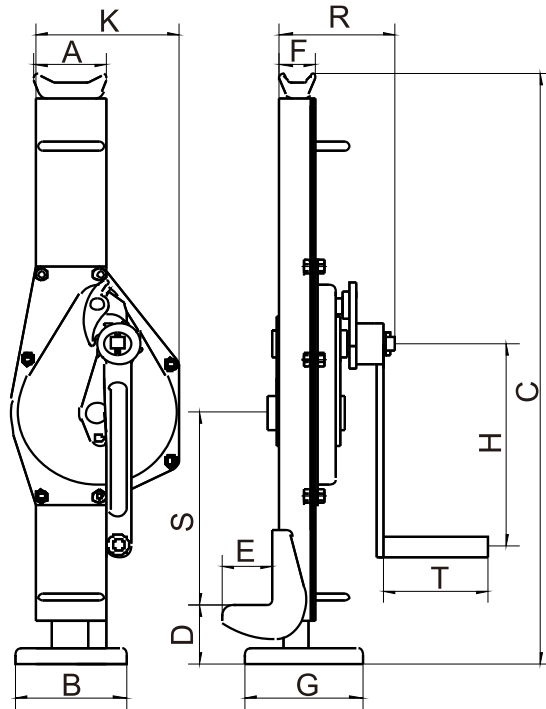
- (1) Base
- (2) Level
- (3) Upper Support Stand
- (4) Lower Support Stand
- (5) Upper Ratchet Pawl
- (6) Lower Ratchet Pawl
- (7) Axle Ring



Attention

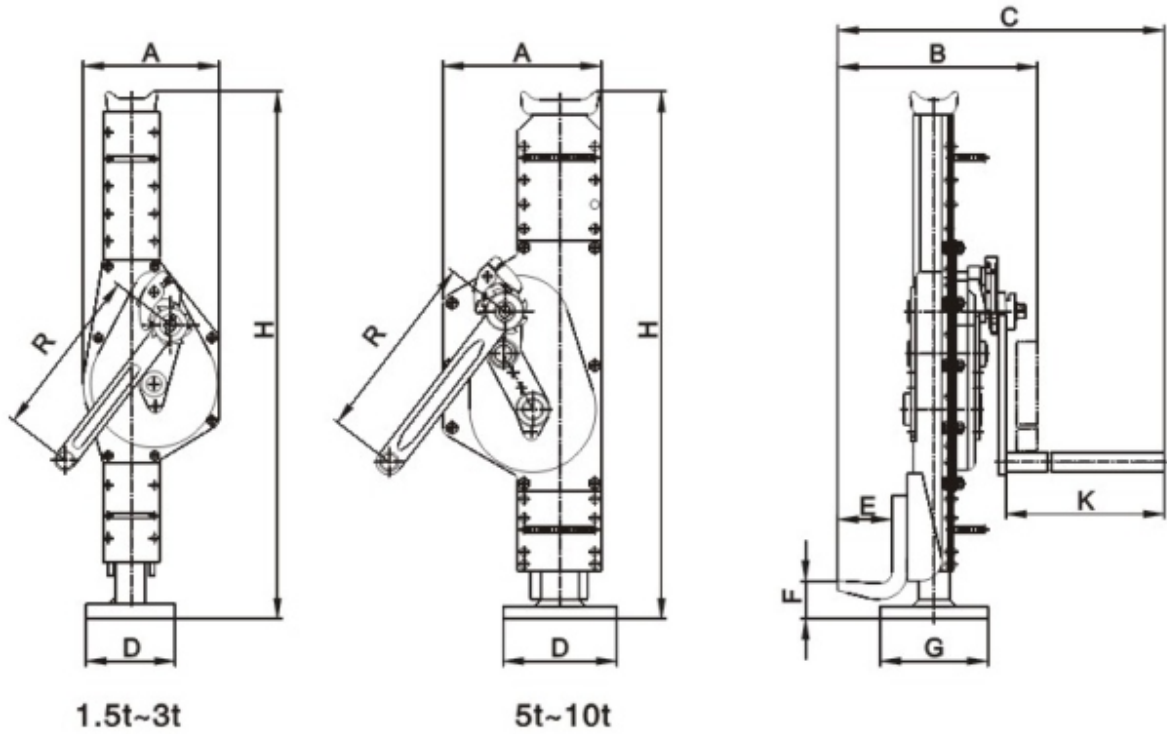
- a. Do not exceed the rated capacity. Overload is forbidden.
- b. Before operation, please check the flexibility of the Ratchet Pawls (5), (6).
- c. Please be sure the jack is on complete balance when operating. Do not put it on beveled, arc or uneven surfaces. The jack must be placed on hard plain grounds.
- d. Before lifting, please be sure the support stand (4) (3) support the goods completely.
- e. When several jacks are used at the same time, please be sure of the same lift or down. The whole operation course should be directed.
- f. It's forbidden putting any parts of the body under the lifted goods.
- g. If working force is abnormal in operation, please stop working immediately to inspect all related transmit components.
- h. Lubricate parts applicably regularly.
- i. The upper support (3) should be on bottom position when the jack is not used.

JQ-A Type

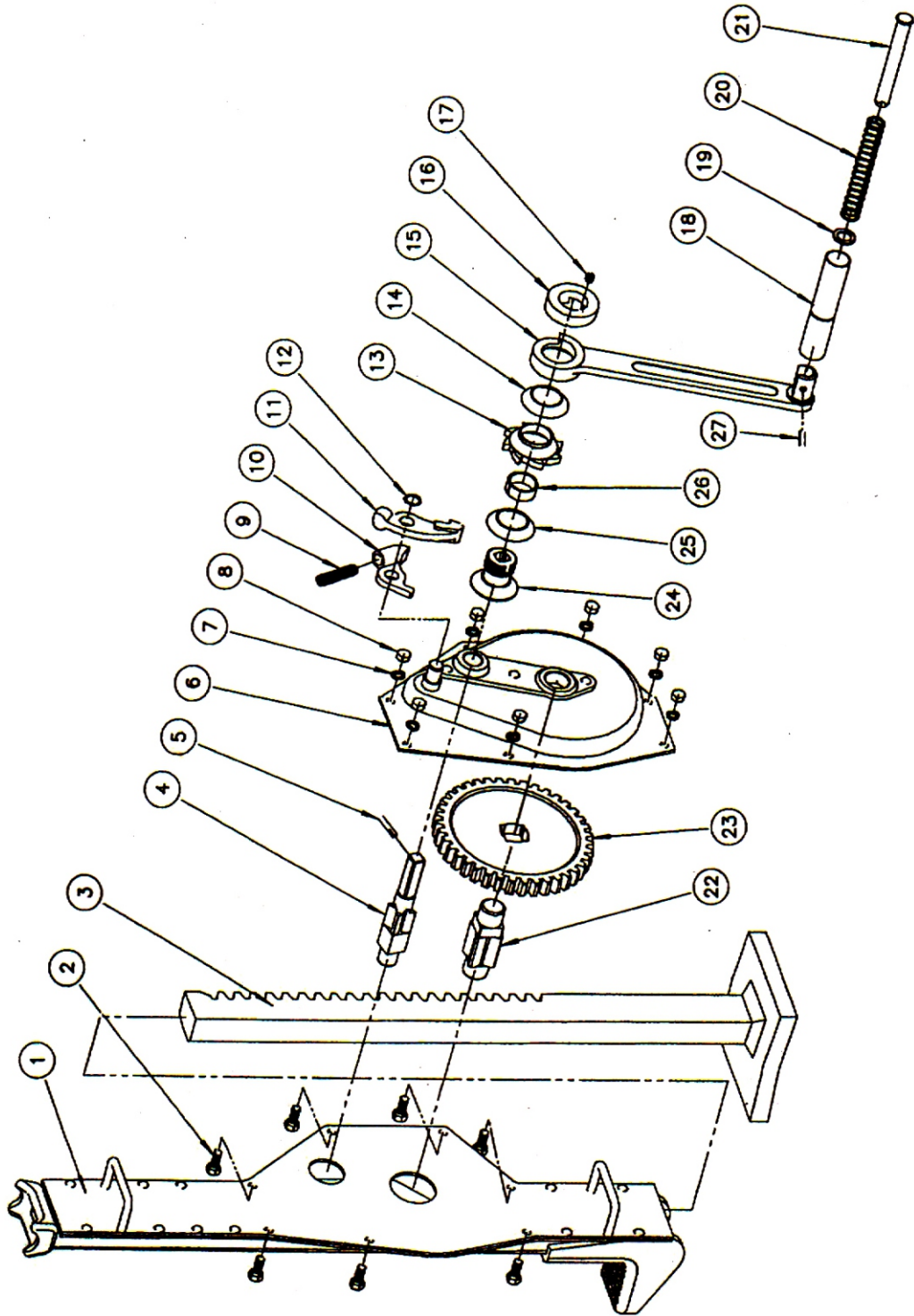


Item No	1.5T	3T	5T	10T	16T	20T	
Rated Capacity/T	1.5	3	5	10	16	20	
Test Capacity/T	18.4	36.8	61.3	122.5	196	245	
Chain Shake to Lift Full Load/N	150	280	280	560	640	640	
Dimensions (mm)	A	81	83	108	124	135	135
	B	100	130	140	140	150	150
	C	600-900	730-1090	730-1075	800-1210	800-1120	860-1180
	D	60-360	70-425	80-425	85-495	95-415	100-420
	E	55	60	71	86	78	78
	F	46	45	68	76	85	85
	G	110	140	170	170	180	180
	H	225	249	275	300	300	380
	K	163	197	189	250	275	275
	R	119	140	155	185	210	220
	S	175	235	217	187	210	210
T	113	127	127	248	250	250	
Net Weight/KG	13.5	21.2	28.5	46.8	65	75	

JQ-B Type

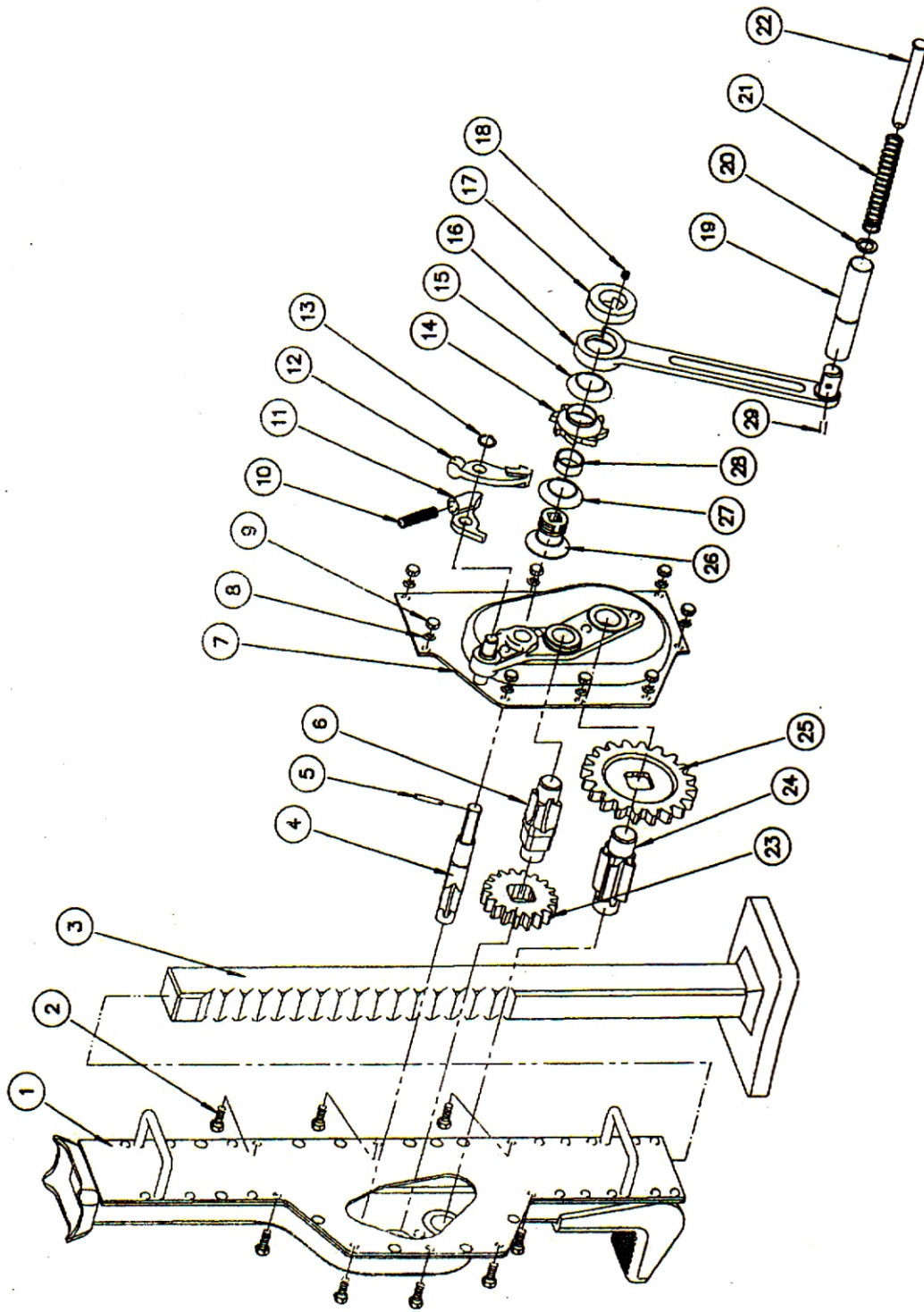


Item No		1.5t	3t	5t	10t
Rated Capacity/T		1.5	3	5	10
Test Capacity/T		18.4	36.8	61.3	122.5
Chain Shake to Lift Full Load/N		150	280	280	560
Stroke/mm		300	350	350	410
Min.Lifting Height/mm	F	25	40	40	40
	H	600	735	735	805
Dimensions (mm)	A	163	197	189	250
	B	206	219	258	318
	C	289	316	355	523
	D	160	170	200	220
	E	55	60	70	86
	G	140	150	170	170
	K	113	127	127	248
Net Weight/KG		14.8	23.3	31.3	49

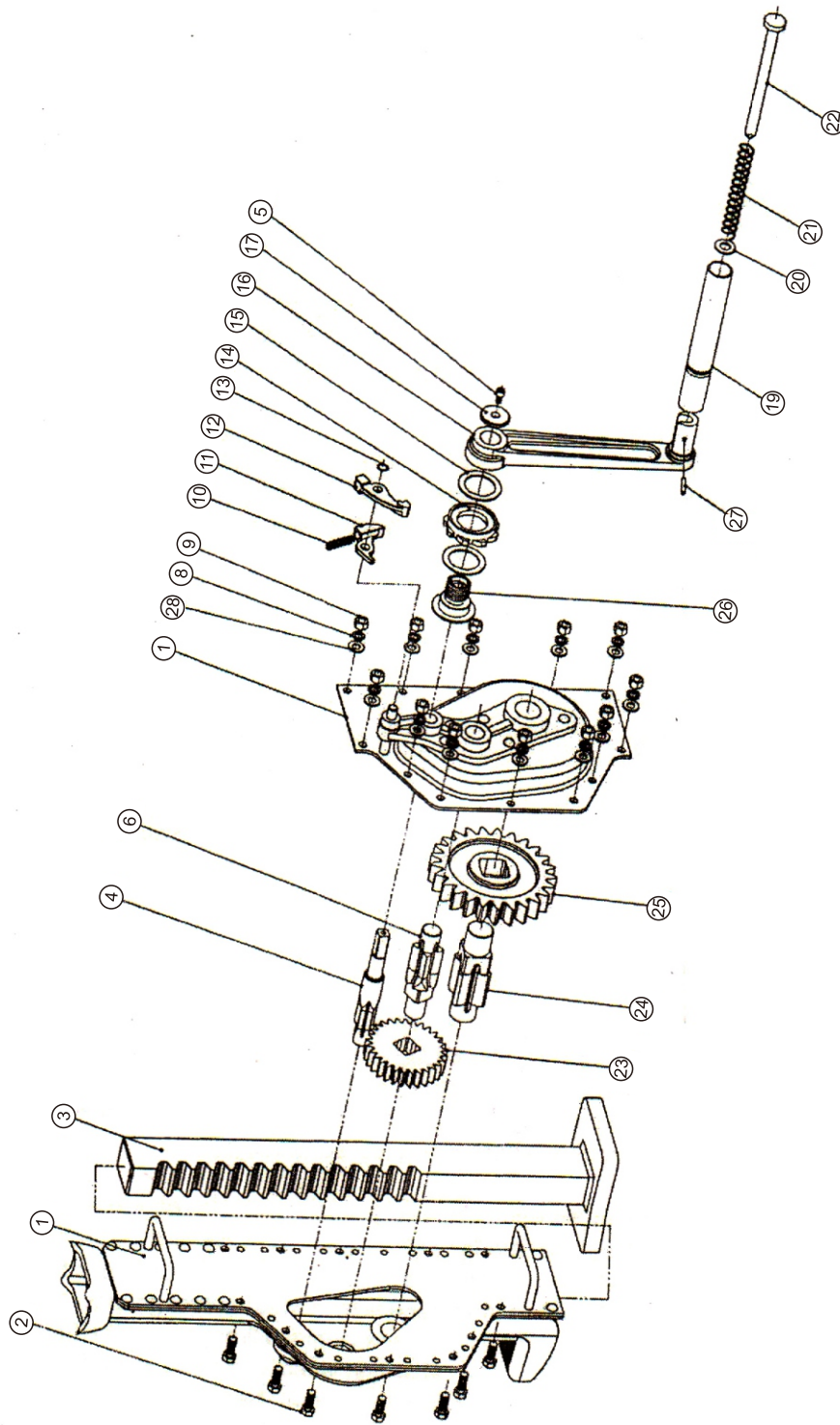


1.5T/3T STEEL JACK

NO.	DESCRIPTION	NO.	DESCRIPTION	NO.	DESCRIPTION
1	jack block	10	lower ratchet pawl	19	washer
2	hexangular bolt	11	upper ratchet pawl	20	spring
3	rack	12	ring for axle	21	spring mandril
4	axle	13	ratchet wheel	22	axle
5	elastic pin	14	ratchet washer	23	gear
6	left bracket	15	handle sleeve	24	axle seat
7	washer	16	lock nut	25	ratchet washer
8	hexangular bolt	17	screw	26	axle seat sleeve
9	pawl spring	18	handle sleeve	27	elastic pin



5T/10T STEEL JACK					
NO.	DESCRIPTION	NO.	DESCRIPTION	NO.	DESCRIPTION
1	jack block	11	lower ratchet pawl	21	spring
2	hexangular bolt	12	upper ratchet pawl	22	spring mandril
3	rack	13	ring for axle	23	gear
4	axle	14	ratchet wheel	24	axle-2
5	elastic pin	15	ratchet washer	25	gear
6	axle-1	16	handle sleeve	26	axle seat
7	left bracket	17	lock nut	27	washer
8	washer	18	screw	28	axle seat sleeve
9	hexangular bolt	19	handle sleeve	29	elastic pin
10	pawl spring	20	washer		



16T/20T STEEL JACK					
NO.	DESCRIPTION	NO.	DESCRIPTION	NO.	DESCRIPTION
1	jack block	11	lower ratchet pawl	21	spring
2	hexangular bolt	12	upper ratchet pawl	22	spring mandril
3	rack	13	ring for axle	23	gear
4	axle	14	ratchet wheel	24	axle-2
5	elastic pin	15	ratchet washer	25	gear
6	axle-1	16	handle sleeve	26	axle seat
7	left bracket	17	lock nut	27	elastic pin
8	washer	18	/	28	washer
9	hexangular bolt	19	handle sleeve		
10	pawl spring	20	washer		