



G100 Swivel Load Ring

Instructions for Safe Use





General

All lifting operations should only be carried out by a suitably trained and experienced person, ensure the area is clear of personnel and obstructions before commencing the lift, large loads should be controlled with tagline(s). Do not leave loads suspended for extended periods.

Before use, the swivel load ring should be inspected for deformation, cracking, wear, mechanical or heat damage and corrosion, if in doubt consult a competent person before use.

Do not exceed the working load limit (WLL) shown on the swivel load ring. The attached table shows the load lifting capacity when used in various lifting operations.

The swivel load rings are designed for use in lifting operations, they may also be used as lashing points but once used as a lashing point they should **not** be re-used for lifting.

Do not subject the swivel load rings to shock loading and ensure that the load is stable and not swinging during the lifting operation.

The swivel load rings are manufactured from high strength steel and should not be used in areas where they may be exposed to strong acids or alkalis or other corrosive chemicals.

Installation

The load ring should be installed by a suitably trained and competent person. Once screwed tight the load ring should be free to rotate 360°.

Tapped holes should be machined deep enough to allow the bearing surface of the load ring to be supported. The holes should be placed in a suitable location away from the edges of the material. The thread must be perpendicular to the surface of the load.

The material where the lifting point for the swivel load ring is attached should be of adequate strength to withstand the lifting forces without deformation.

If the load ring is attached to material using a through hole and nuts then threads should be locked using Loctite or similar, locking nuts or castle nuts and cotter pins.

For a single lift hand tightening with a spanner is enough. For long term use or multiple lifts, the bolt should be tightened to the torque shown in the attached table. If used for turning loads the bolts should be tightened to the recommended torque ensuring the lifting force is always in the plane of the suspension eye.

The lifting point(s) should be positioned in such a way that movement is avoided during lifting, for single leg lifts the load ring should be positioned above the centre of gravity (C of G) of the load. For two leg lifts the lifting points should be placed equidistant from the C of G ensuring the lifting device is above the C of G.

For three or four leg lifts the lifting points should be positioned symmetrically around the C of G in the same plane. Guidance for asymmetrical loads is given in the attached table.

Use

Inspect all swivel load rings once in place ensuring the installation is correct.

Ensure the suspension ring is aligned in the direction of force before lifting. Do not apply the load towards the attachment bolt as this may result in failure.

Make sure the suspension ring is not loaded across a sharp edge and that the hook or other attachment fits easily into the ring without tip loading of the hook.

If the load is applied in line with the axis of the bolt make sure the load cannot spin as this may cause the bolt to unscrew and release the load.

Inspection and Maintenance

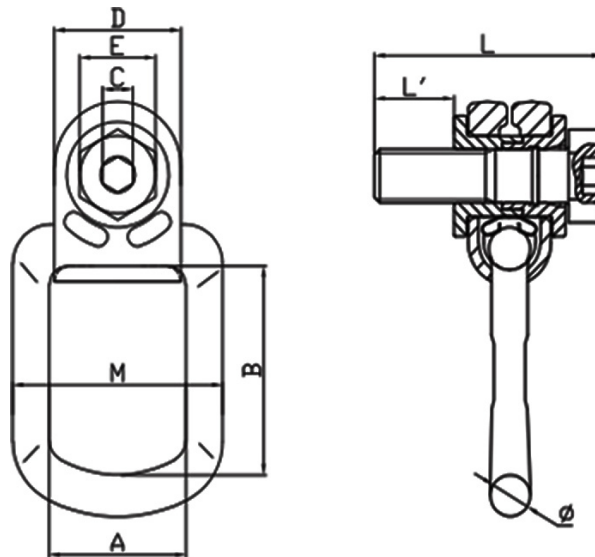
Regular inspections should be carried out and recorded by a competent person in accordance with applicable national standards or at least annually. If used in harsh environments the inspection periods should be shortened as advised by a suitably competent person.

Before inspection, the swivel load ring should be clean and free from oil, dirt and rust which may hide defects.

- Inspect for general condition and repair.
- The load ring should be free from deformation, cracking, wear, mechanical or heat damage, weld spatter and corrosion.
- Ensure the lifting eye is free to rotate in all directions.
- Do not modify, weld or repair the swivel lifting rings.
- Destroy any rejected item by cutting the lifting eye before disposal.

After inspection oil the threads and store the swivel load rings on a suitable rack in dry clean conditions.

Product Specifications



Product Code	Size	WLL (T)	B.L (T)	Torque (N.m)	A	B	C	D	E	M ± 1.5	L ± 1.5	L' ± 1.5	Ø ± 0.5	Weight (kg)
G10-SWIV-RING-8X76	M8x76	0.3	1.2	10-15	35	52.5	6	30	13	45	46	76	14	0.39
G10-SWIV-RING-10X96	M10x96	0.63	2.52	10-15	35	52.5	6	30	17	45	52	96	14	0.43
G10-SWIV-RING-12X114	M12x114	1	4	20-30	40	54	8	36	19	68	158	114	18	0.80
G10-SWIV-RING-16X100	M16x100	1.5	6	20-30	40	54	10	36	24	68	146	100	18	0.85
G10-SWIV-RING-16X149	M16x149	1.5	6	20-30	40	54	10	36	24	68	195	149	18	0.92
G10-SWIV-RING-20X100	M20x100	2.5	10	50-70	54	80	12	50	30	83	156	100	16	1.57
G10-SWIV-RING-20X187	M20x187	2.5	10	50-70	54	80	12	50	30	83	118	187	16	2.27
G10-SWIV-RING-24X100	M24x100	4	16	130-160	54	94	14	50	36	83	158	100	18	1.62
G10-SWIV-RING-24X222	M24x222	4	16	130-160	54	94	14	50	36	83	120	222	18	2.11
G10-SWIV-RING-30X70	M30x70	5	20	200-250	73	106	17	68	41	120	154	70	27	4.19
G10-SWIV-RING-30X279	M30x279	5	20	200-250	73	106	17	68	41	120	154	279	27	5.35
G10-SWIV-RING-36X70	M36x70	7	28	280-400	73	106	17	68	41	120	158	70	27	4.80
G10-SWIV-RING-36X223	M36x223	8	32	280-400	94	140.5	22	86	55	156	324	223	31	8.94