

**HP | MANUALLY OPERATED PUMPS - ALUMINIUM**

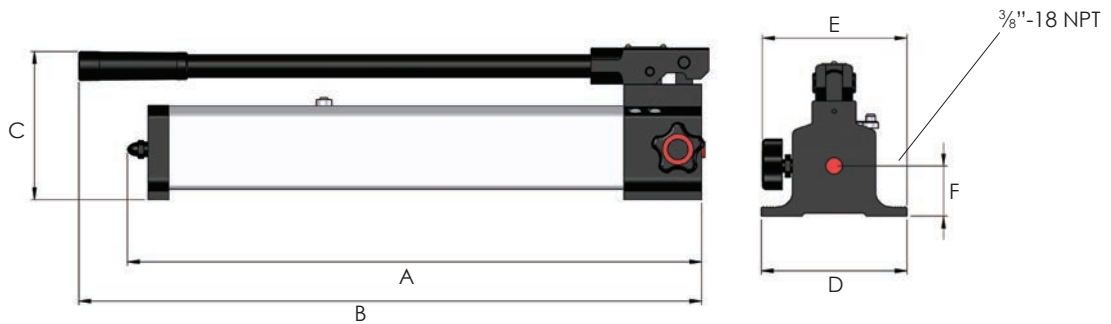


**Two stage operation**

**Working pressure 700 bar**

**Six models with choice of control valve**

- ▶ Oil reservoir capacity up to 5 litres
- ▶ Lightweight aluminium construction with external pressure release valve and factory set safety relief valve
- ▶ Changeover pressure is 14 bar
- ▶ Low handle effort and ergonomic grip for easy operation



Model number	Valve type	Displacement per stroke (cm <sup>3</sup> )		Usable oil capacity (litres)	Handle effort (kg)	Weight (kg)	Dimensions (mm)					
		1 <sup>st</sup> stage	2 <sup>nd</sup> stage				A	B	C	D	E	F
Two stage hand operated pumps for single acting cylinders and tools												
HP211	2-way	12.9	1.0	0.5	27	2.0	335	388	135	100	125	40
HP212	2-way	12.9	2.3	1.0	40	4.0	560	610	140	100	125	40
HP232	2-way	12.9	2.3	2.0	40	6.9	560	610	160	140	155	50
HP252	2-way	12.9	2.3	5.0	40	9.6	585	610	160	168	145	50
Two stage hand operated pumps for double acting cylinders and tools												
HP232D	4-way	12.9	2.3	2.0	40	8.7	580	625	160	140	175	30
HP252D	4-way	12.9	2.3	5.0	40	13.6	605	625	160	168	175	30