

Ultralift Plus Lifting Magnet

Manually operated lifter with 'Safety Shim'

Datasheet no. 301

The Ultralift Plus range of manual lifters provides the safest magnetic lifting available. This range of lifters offers an excellent performance to weight ratio. This is achieved using high-energy neodymium magnets, arranged in an efficient magnetic circuit, to give a superb holding force, providing a safe, reliable lift.

Safety shim

The Eclipse Magnetism Ultralift Plus is the only permanently magnetic lifting magnet to be supplied with a 'Safety Shim'. The 'Safety Shim' allows the user to undertake a safety test prior to the lift. This is fast, effective and guarantees a safe lift factor of 3:1.

Safety interlock

Prevents the accidentally switching the magnet off: once under load, the interlock mechanism prevents the operating handle being moved to the off position.

Hand break release

The magnet can easily be released using one hand.

Suitable for:

- | | |
|----------------------------|---|
| Ferrous sheet/plate | thicknesses greater than 20mm maximum weight of 2000kg |
| Ferrous round bar | up to 600mm diameter maximum weight of 800kg |

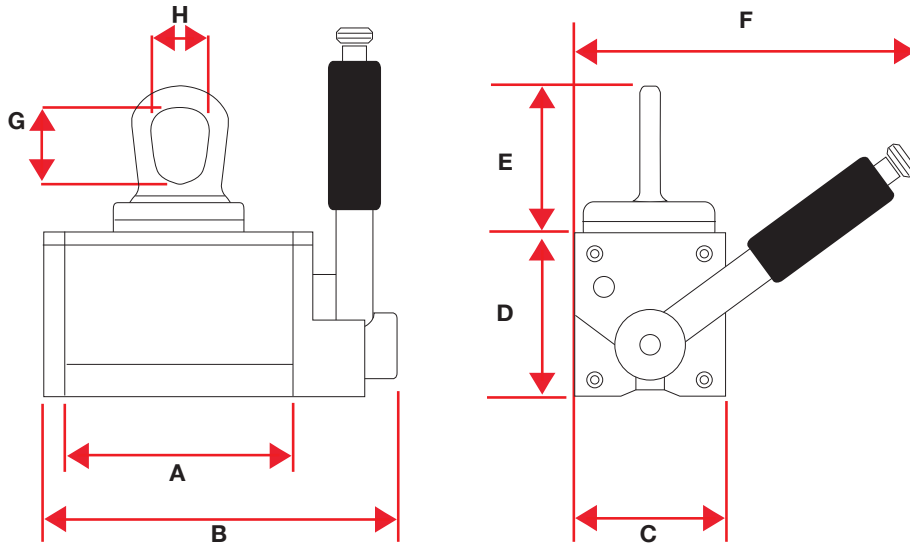
Suitable locations

Machine shops, fabrication shops, steel stockholders, manufacturers.

Benefits

- Easy to install
- Simple one man operation
- No power required
- Load surface not marked
- High performance magnet material providing high performance at a lower weight
- Saves space as access is only needed to the top of the load
- 3 safety mechanisms ensure safe lifting





Product Information

| Product | Self Weight kg | Safety Mechanism Activation Load (kg) (Additional to Lifter Weight) | Flat Section | | | Round Section | | | Dimensions mm | | | | | | | |
|---------|-------------------|--|--------------|----------------|-------------|---------------|---------------|----------|------------------|-----|-----|-----|-----|-----|-----|----|
| | | | SWL * | Thickness Min. | Length Max. | SWL | Diameter Max. | Length** | A | B | C | D | E | F | G | H |
| UL0125+ | 4 | 4 | 125 | 20 | 1500 | 50 | 200 | 1500 | 101 | 155 | 69 | 74 | 138 | 152 | 34 | 27 |
| UL0250+ | 11 | 11 | 250 | 25 | 1500 | 100 | 300 | 1500 | 214 | 155 | 92 | 96 | 192 | 218 | 51 | 40 |
| UL0500+ | 27 | Self Weight | 500 | 30 | 2000 | 200 | 400 | 2000 | 224 | 300 | 122 | 128 | 251 | 266 | 63 | 49 |
| UL1000+ | 63 | Self Weight | 1000 | 45 | 3000 | 400 | 450 | 3000 | 260 | 359 | 176 | 174 | 314 | 382 | 71 | 55 |
| UL2000+ | 157 | Self Weight | 2000 | 55 | 3000 | 800 | 600 | 3000 | 368 | 477 | 233 | 227 | 422 | 552 | 102 | 79 |

*Safe working load

△**The maximum stated length on Diameter is not at the maximum Diameter (Always work within stated SWL)

Performance

SWL performance criteria

Flat ground mild steel plate of thickness equal to, or greater than, the specified minimum thickness

Magnetic material

Rare earth neodymium iron boron

Temperature

-10°C (14°F) / +80°C (176°F)

Maximum humidity

80%

Materials

End plates

Aluminium - painted

Housing

Mild steel

Pole feet

Mild steel - plated

Conformity

The Ultralift Plus range conforms to the following:

Machinery Directive 98/37/CE

BS EN ISO12100-1 Basic Engineering Principles

BS EN 13155:2003 Cranes safety: non-fixed load lifting attachments

SS7665601 Swedish standards for magnetic lifting devices

ASME B30.20

If you have any more questions, require technical assistance and would like a quotation, contact us.

www.eclipsemagnetics.com

Eclipse Magnetics Ltd, Atlas Way, Sheffield, S4 7QQ, England

T +44 (0)114 225 0600 F +44 (0)114 225 0610 E info@eclipsemagnetics.com W www.eclipsemagnetics.com

While every effort has been made to ensure the accuracy of the information in this publication please note that specifications may change without notice.



FM31278



A world leader in magnetic technology



A Spear & Jackson Company