

TCR-500/2 MINI AIR HOIST



RED ROOSTER LIFTING

STANDARD FEATURES

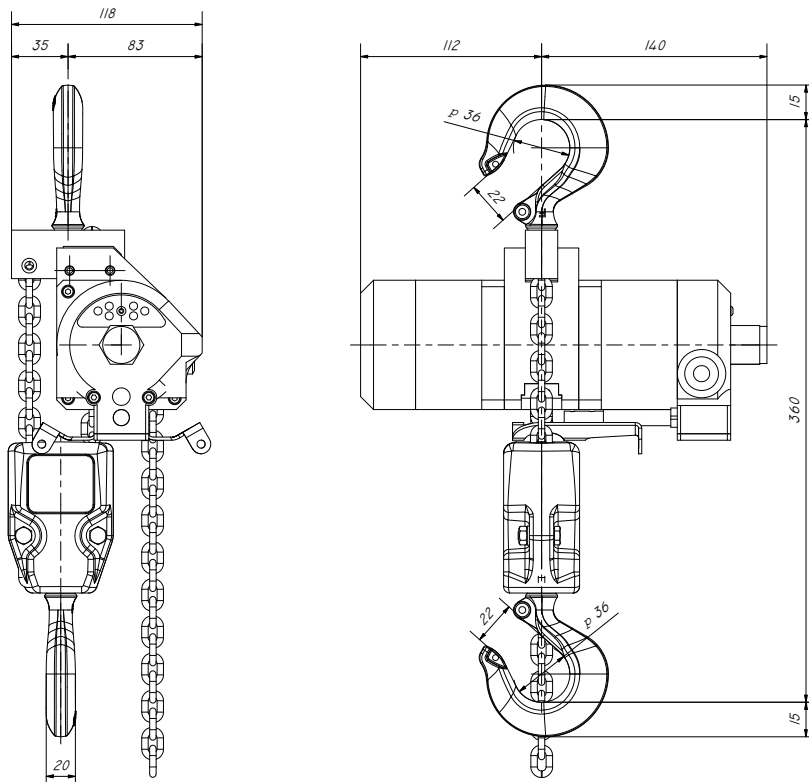
- ▷ Compact and lightweight body
- ▷ ATEX zone 2 specification
- ▷ Toku rotary vane motor
- ▷ Robust epicycle gearbox
- ▷ Failsafe automatic internal disc brake
- ▷ Mechanical upper & lower switches
- ▷ Aluminium housing
- ▷ Internal silencing down to 83 dB(A)
- ▷ Alloy safety swivel hooks with safety catch
- ▷ Load chain 4 x 12mm of European manufacture to EN818-7

AVAILABLE OPTIONS

- ▷ Marine specification
- ▷ Special paint systems
- ▷ Corrosion protection
- ▷ ATEX zone 1 specification
- ▷ Chain collectors (PVC, galvanised or stainless steel)
- ▷ Air Service units
- ▷ Festoon systems
- ▷ Radio control
- ▷ Main air shut off valve

MODEL	WLL	LIFTING SPEED WITH LOAD	LIFTING SPEED WITHOUT LOAD	LOWERING SPEED WITH LOAD
TCR-500/2	500 kg	4.6 m/min	9.5 m/min	9.0 m/min
	AIR CONSUMPTION LIFTING	AIR CONSUMPTION LOWERING	AIR CONNECTION	MINIMUM HOSE DIA.
TCR-500/2	13 l/sec	15 l/sec	1/2" BSP	1/2" HOSE
	CHAIN FALLS	WORKING PRESSURE	WEIGHT WITH 3M HOL	WEIGHT PER ADDITIONAL METRE HOL
TCR-500/2	2	6 bar	9.0 kg	0.7 kg

C = CORD CONTROL DPE = PENDANT



All measurements are in mm
Information subject to change without notice

Image for illustration purposes only



ATEX ZONE 2 AS STANDARD