

# TCR-2000/2 AIR HOIST



# RED ROOSTER LIFTING

## STANDARD FEATURES

- ▷ Toku rotary vane motor
- ▷ ATEX zone 2 specification
- ▷ Robust epicycle gearbox
- ▷ Failsafe automatic internal disc brake
- ▷ Mechanical upper & lower switches
- ▷ Cast steel housing
- ▷ Internal silencing down to 83 dB(A)
- ▷ Alloy safety swivel hooks with safety catch
- ▷ Load chain 7 x 21mm of European manufacture to EN818-7
- ▷ Automatic load limiter

## AVAILABLE OPTIONS

- ▷ Marine specification
- ▷ Special paint systems
- ▷ Corrosion protection
- ▷ ATEX zone 1 specification
- ▷ Chain collectors (PVC, galvanised or stainless steel)
- ▷ Air Service units
- ▷ Festoon systems
- ▷ Radio control
- ▷ Main air shut off valve

| MODEL      | WLL                     | LIFTING SPEED WITH LOAD  | LIFTING SPEED WITHOUT LOAD | LOWERING SPEED WITH LOAD |
|------------|-------------------------|--------------------------|----------------------------|--------------------------|
| TCR-2000/2 | 2000 kg                 | 3.0 m/min                | 5.7 m/min                  | 5.2 m/min                |
|            | AIR CONSUMPTION LIFTING | AIR CONSUMPTION LOWERING | AIR CONNECTION             | MINIMUM HOSE DIA.        |
| TCR-2000/2 | 25 l/sec                | 30 l/sec                 | 1/2" BSP                   | 1/2" HOSE                |
|            | CHAIN FALLS             | WORKING PRESSURE         | WEIGHT WITH 3M HOL         | ADDITIONAL METRE HOL     |
| TCR-2000/2 | 2                       | 6 bar                    | 39.7 kg                    | 2.2 kg                   |

C = CORD CONTROL PE = PENDANT

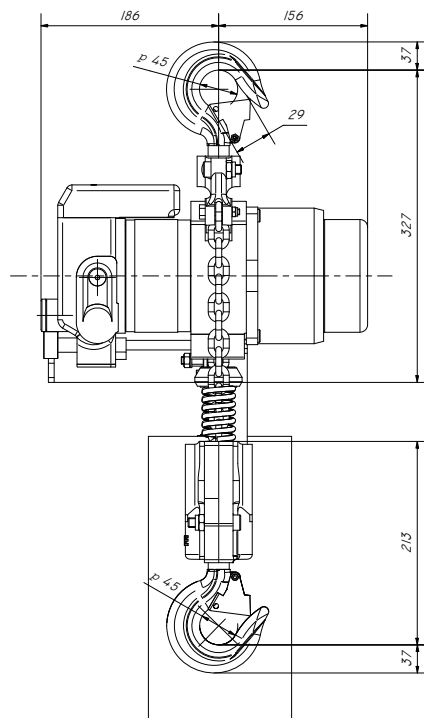
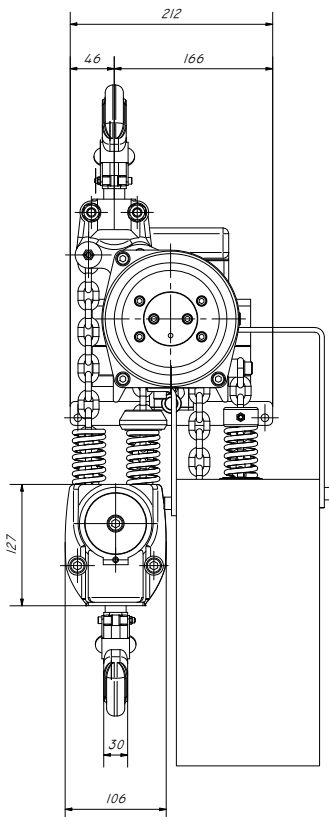


Image for illustration purposes only

All measurements are in mm  
Information subject to change without notice



**ATEX ZONE 2 AS STANDARD**