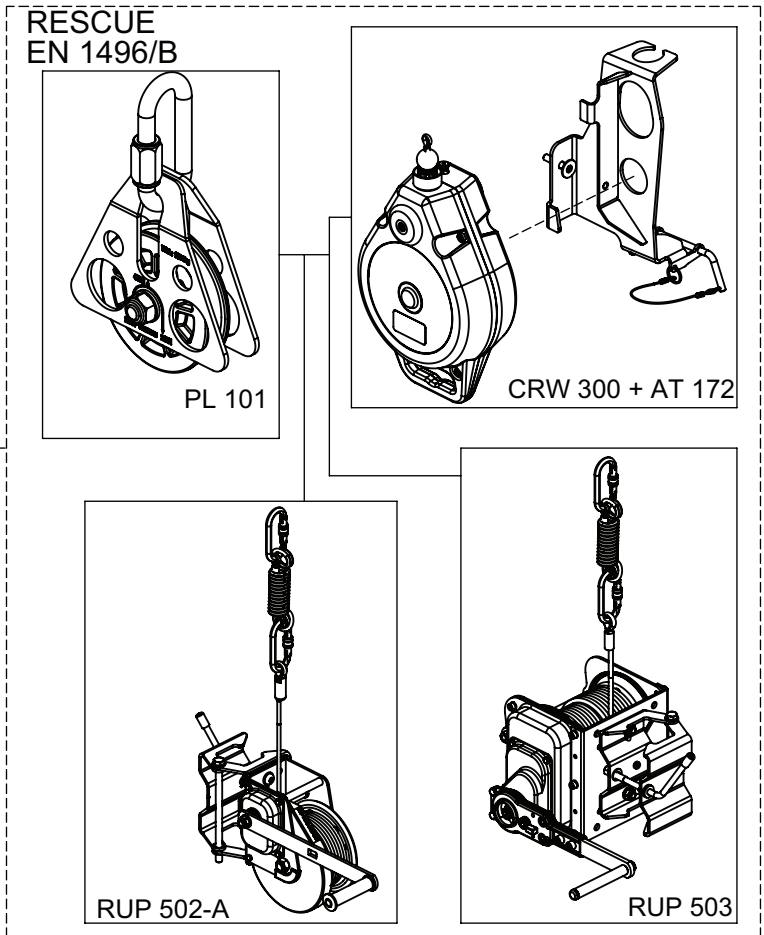
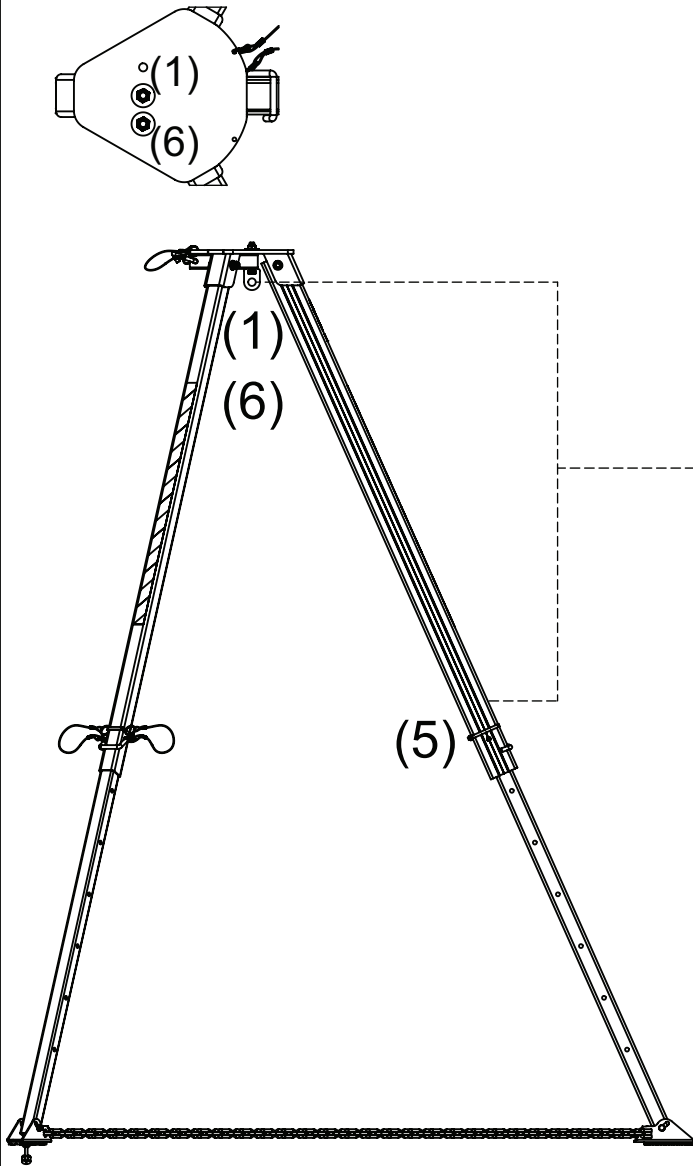


USAGE TM 12-2 MAIN TRIPOD FOR RESCUE PURPOSES

TM 12-2 main tripod can be used in conjunction with rescue lifting devices (RUP 502-A or RUP 503 or CRW 300).

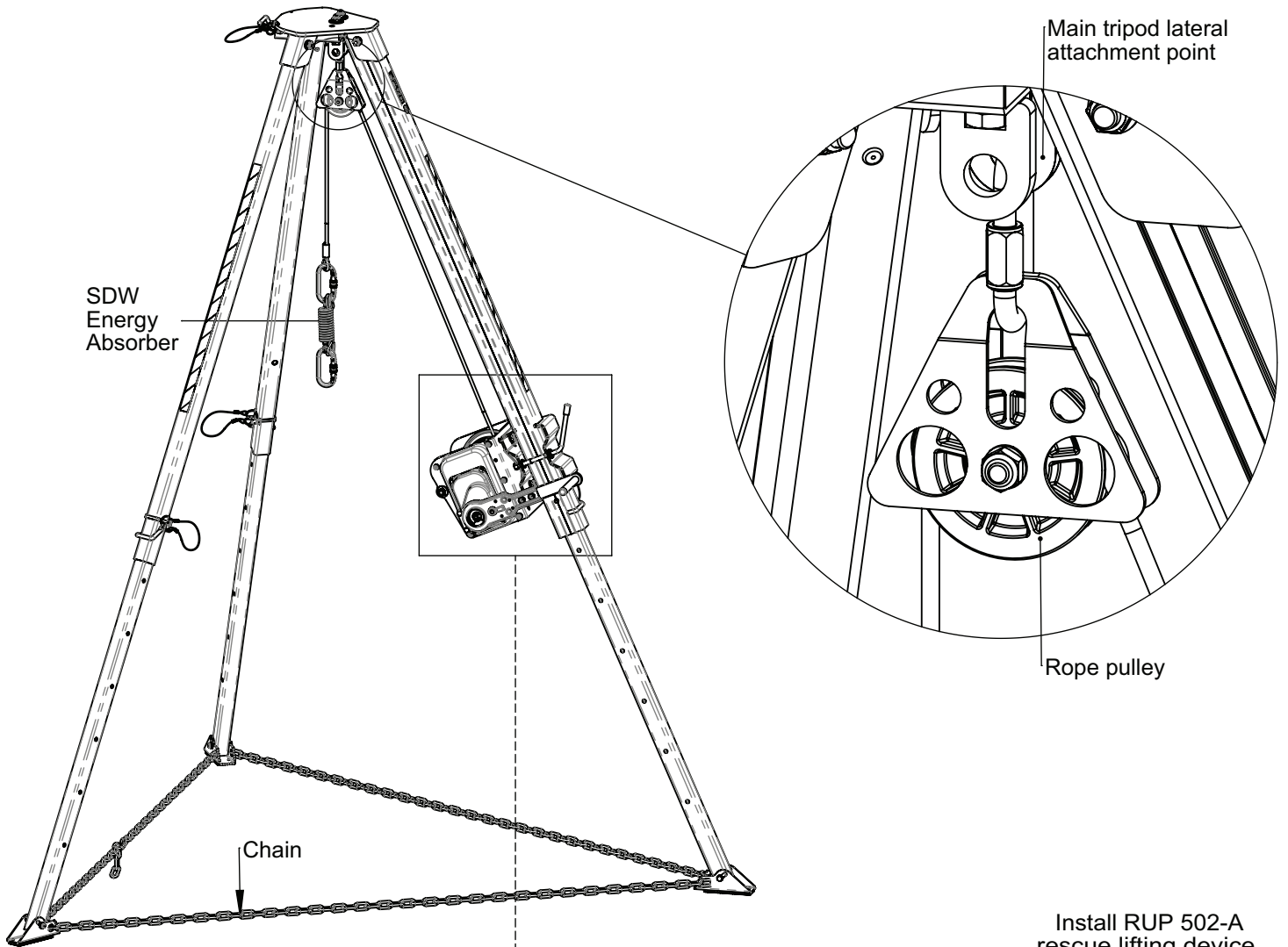


Energy absorber SDW MUST BE ALWAYS USED in conjunction with RUP series rescue lifting devices.

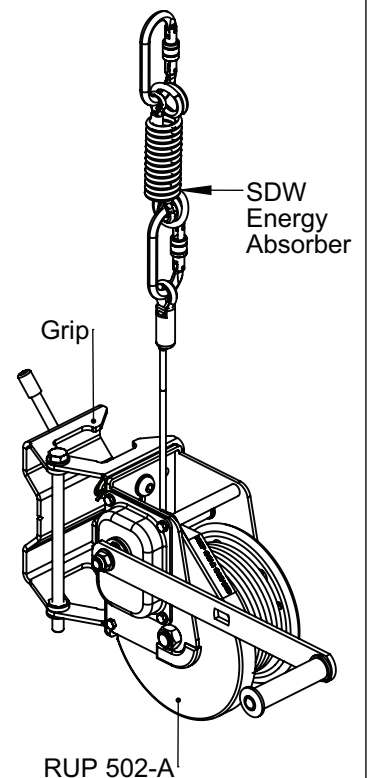
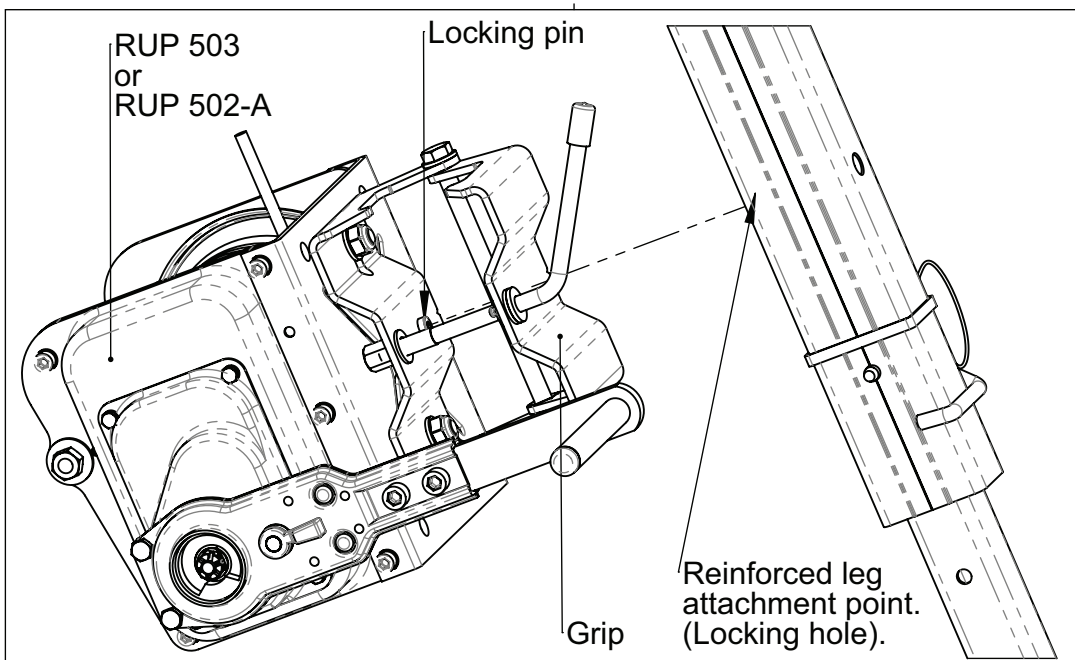
Set	TM 12-2 Main Tripod		
Equipment	+ PL 101 + RUP 502-A	+ PL 101 + RUP 503	+ PL 101 + AT 172 + CRW 300
Standard	EN 1496/B		
Attachment point(s) in use	(5) (6)	(5) (6)	(5) (6)
Max. number of user at the same time	1	2	1
Working Load Limit	140 kg	200 kg	140 kg

INSTALLING RUP 502-A AND RUP 503 RESCUE LIFTING DEVICE ON TM 12-2 MAIN TRIPOD

The TM 12-2 main tripod can be used separately with RUP 502-A / RUP 503 rescue lifting devices. RUP 502-A / RUP 503 should be installed on the main tripod reinforced leg. The grip of the RUP 502-A / RUP 503 should be fastened on the locking hole situated on the internal wall of the reinforced leg. Rope Pulley should be attached to the main tripod lateral attachment point with connector. Working rope should pass through the pulley wheel. For proper and safe installation and use of the RUP 502-A / RUP 503 please refer the instruction manual.

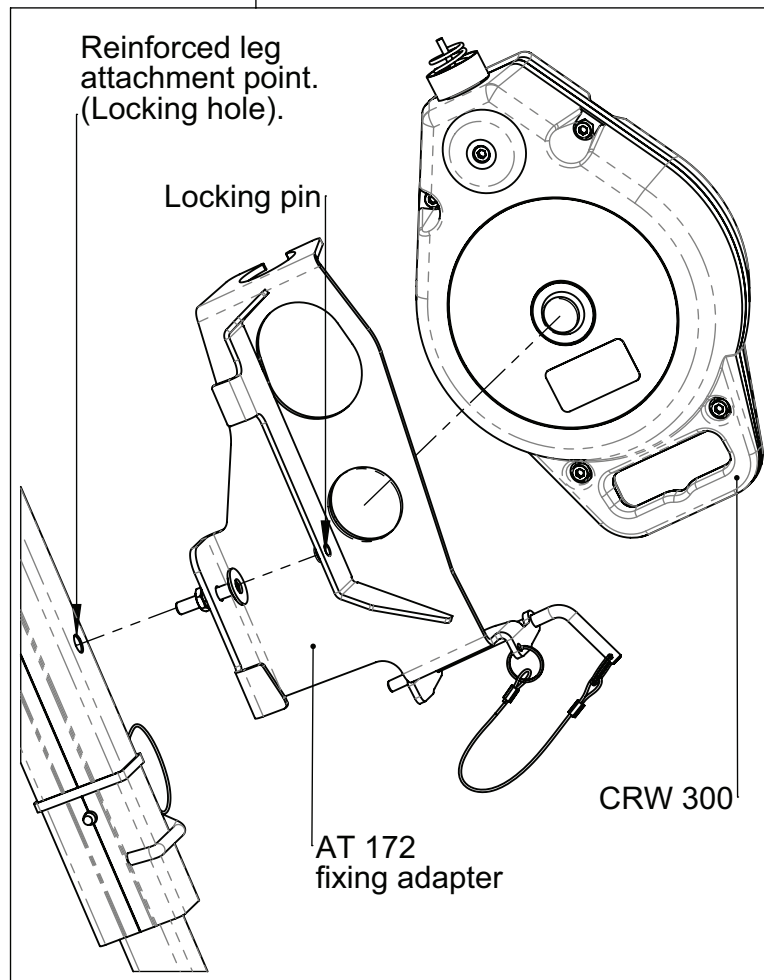
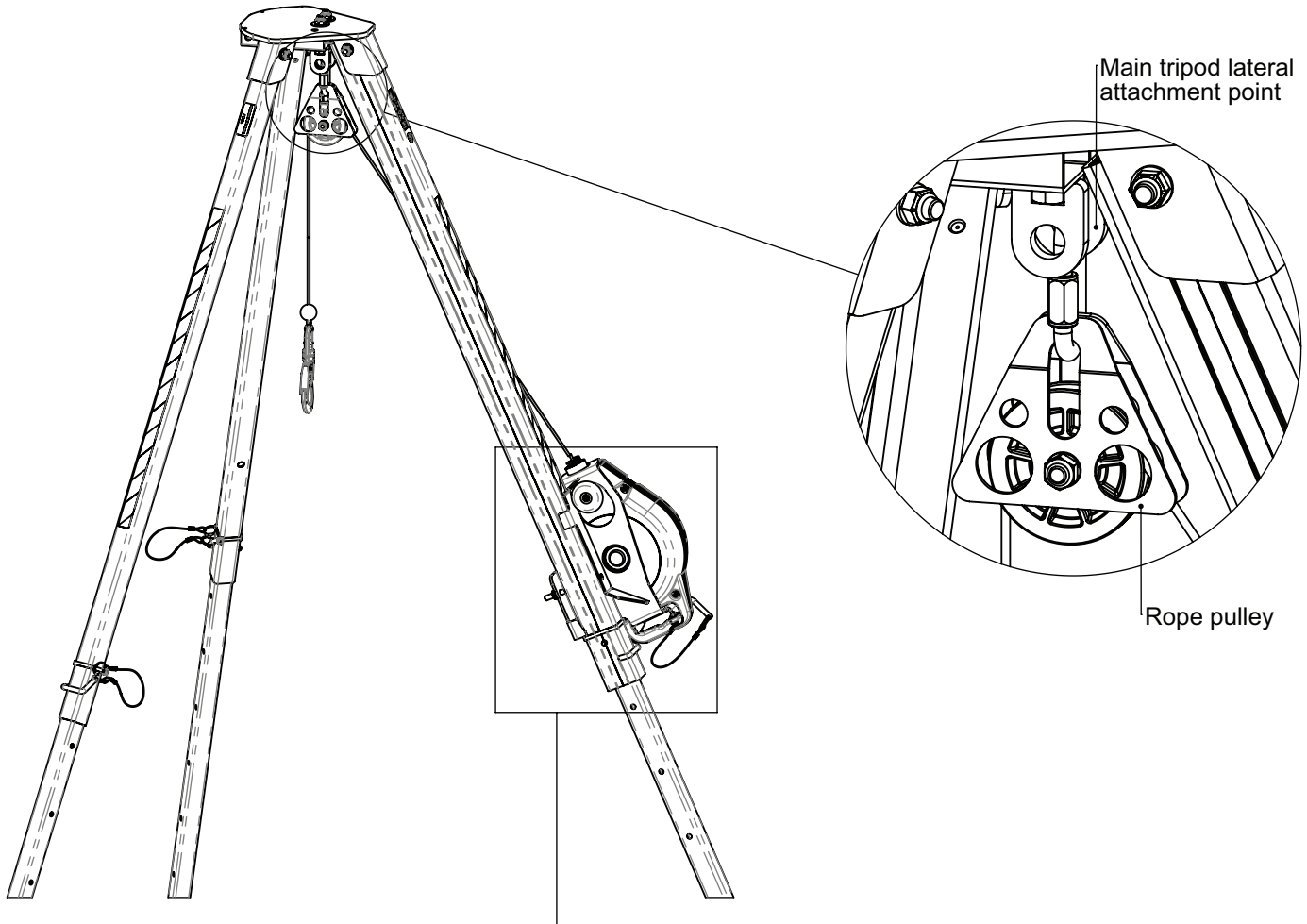


Install RUP 502-A rescue lifting device in the same way as RUP 503.



INSTALLING CRW 300 RESCUE LIFTING DEVICE ON TM 12-2 MAIN TRIPOD

The TM 12-2 main tripod can be used with CRW 300 rescue lifting device / retractabl type fall arrester. CRW 300 should be installed on the main tripod reinforced leg. CRW 300 with fixing adapter AT 172 should be fastened on the locking hole situated on the outer wall of the reinforced leg. Rope Pulley should be attached to the main tripod lateral attachment point with connector. Working rope should pass through the Pulley wheel. For proper and safe installation and use of the CRW 300 please refer the instruction maunual.



SECTION 6 - DEVICE USE SCENARIOS

1. ONE PERSON (NO LIFTING LOADS) - EN 795/B
 - Person attached to the one of anchorage points: (1) or (2) or (3).
 - ! Please refer to "Rules for personal protection" (section 3, page 8).
2. TWO PEOPLE (NO LIFTING LOADS) - TS 16415/B
 - First person attached to the one of the anchorage points: (1) or (2) or (3).
 - Second person attached to the one of the remaining anchorage points: (1) or (2) or (3).
 - ! Please refer to "Rules for personal protection" (section 3, page 8).
3. TWO PEOPLE (NO LIFTING LOADS) - RESCUE USING RUP series rescue lifting devices - EN 1496/B
 - First person attached to the one of the anchor points: (1) or (2) or (3).
 - Second person attached to the end of the end of the SDW energy absorber connected with end of the rope of RUP 502-A / RUP 503 rescue lifting devices using attachment points: (4) and (5) and (6).
 - • ! Please refer to "Rules for personal protection" (section 3, page 8).
 - • ! Please refer to "Rules for rescue" (section 5, page 15).
4. TWO PEOPLE (NO LIFTING LOADS) - RESCUE USING CRW 300 rescue lifting device - EN 1496/B
 - First person attached to the one of the anchor points: (1) or (2) or (3).
 - Second person attached to the end of the connector connected to the end of the rope of CRW 300 lifting device using attachment points: (4) and (5) and (6).
 - ! Please refer to "Rules for personal protection" (section 3, page 8).
 - ! Please refer to "Rules for rescue" (section 5, page 15).
5. ONE PERSON AND LIFTING LOADS UP TO 500 kg
 - Person attached to the one of the anchorage points: (1) or (2) or (3) AND load (up to 500 kg) connected to the end of the rope of RUP 502-AT / RUP 503-T brake winches using attachment points: (4) and (5) and (6).
 - Person attached to the one of the anchorage points: (1) or (2) or (3) AND load (up to 500 kg) connected to the attachment points: (4) and/or (6) using chain hoist or other lifting equipment.
 - ! Please refer to "Rules for personal protection" (section 3, page 8).
 - Total load connected to the attachment points cannot exceed 500 kg.
 - ! Please refer to "Rules for lifting loads" (section 4, page 10).
6. ONLY LIFTING LOADS UP TO 1000 kg
 - Load connected to the end of the rope of RUP 502-AT / RUP 503-T brake winches using attachment points: (4) and (5) and (6).
 - Load connected to the attachment points: (4) and/or (6) using chain hoist or other lifting equipment.
 - Total load connected to the attachment points cannot exceed 1000kg.
 - ! Please refer to "Rules for lifting loads" (section 4, page 10).

NOTES

A series of horizontal dotted lines for writing notes.

IDENTITY CARD

IT IS RESPONSIBILITY OF THE USER ORGANISATION TO PROVIDE THE IDENTITY CARD AND TO FILL IN THE DETAILS REQUIRED. THE IDENTITY CARD SHOULD BE FILLED IN ONLY BY COMPETENT PERSON RESPONSIBLE FOR PROTECTIVE EQUIPMENT. THE IDENTITY CARD SHOULD BE FILLED IN BEFORE THE FIRST USE OF THE EQUIPMENT. ANY INFORMATION ABOUT THE EQUIPMENT LIKE: PERIODIC INSPECTIONS, REPAIRS, REASONS OF EQUIPMENT'S WITHDRAWN FROM USE SHALL BE NOTED. THE IDENTITY CARD SHOULD BE STORED DURING A WHOLE PERIOD OF EQUIPMENT UTILIZATION. DO NOT USE THE EQUIPMENT WITHOUT THE IDENTITY CARD.

MODEL AND TYPE OF EQUIPMENT	
REF. NUMBER	
SERIAL NUMBER	
DATE OF MANUFACTURE	
DATE OF PURCHASE	
DATE OF FIRST USE	
USER NAME	

PERIODIC EXAMINATION AND REPAIR HISTORY

	DATE	REASON FOR SERVICING / REPAIR	REPAIRS CARRIED OUT	NAME AND SIGNATURE OF COMPETENT PERSON	DATE OF NEXT EXAMINATION
1					
2					
3					
4					
5					
6					
7					
8					
9					