

SECTION 3 - PERSONAL PROTECTION ACCORDING TO EN 795/B AND TS 16415/B

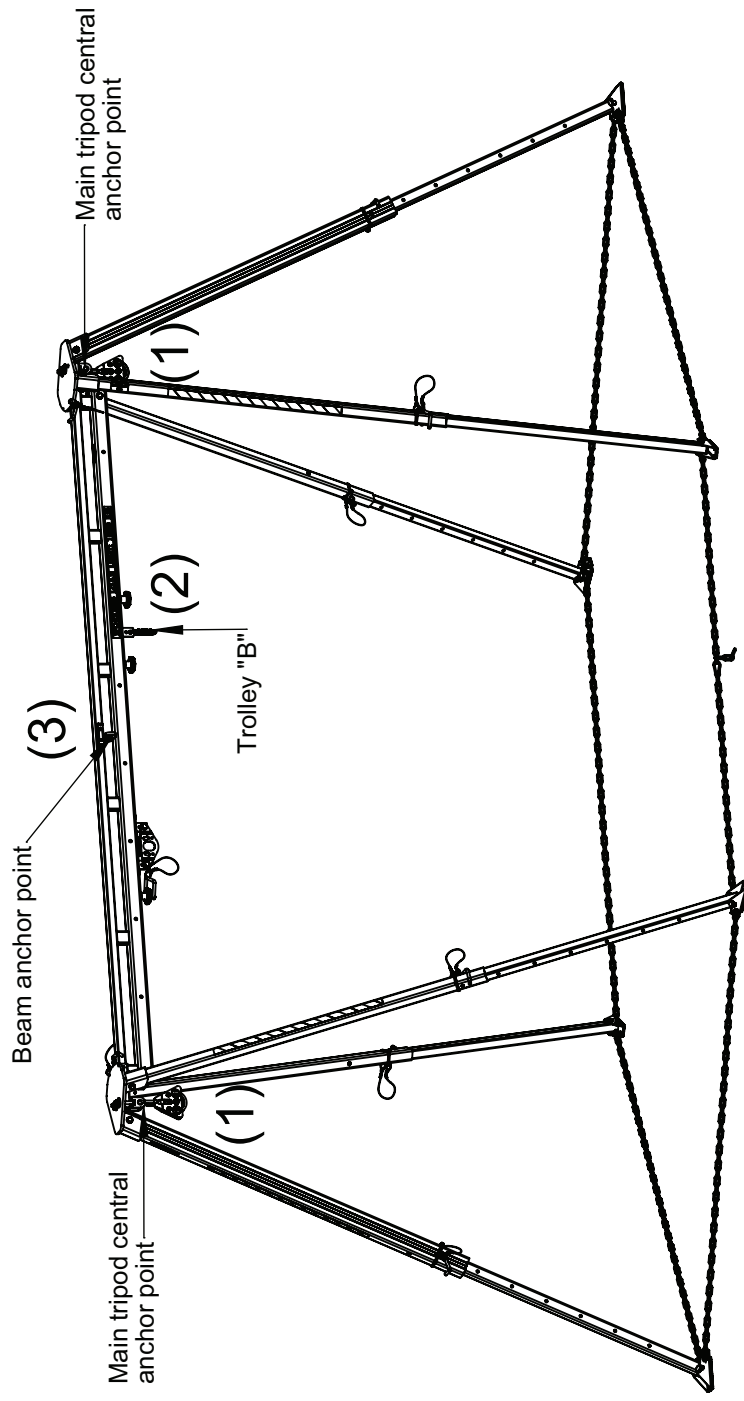
DESCRIPTION

TM 12-2 hexapod and main tripod can be used as a temporary anchorage according to EN 795/B and TS 16415/B.

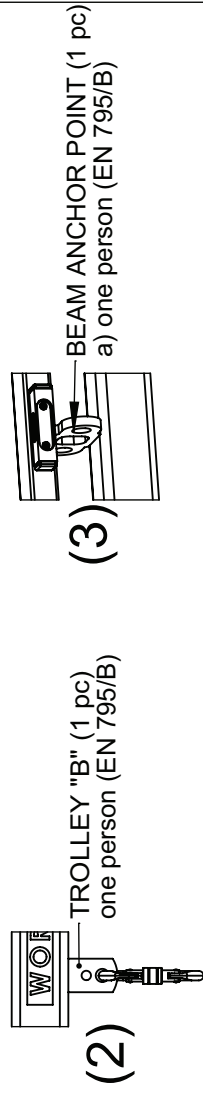
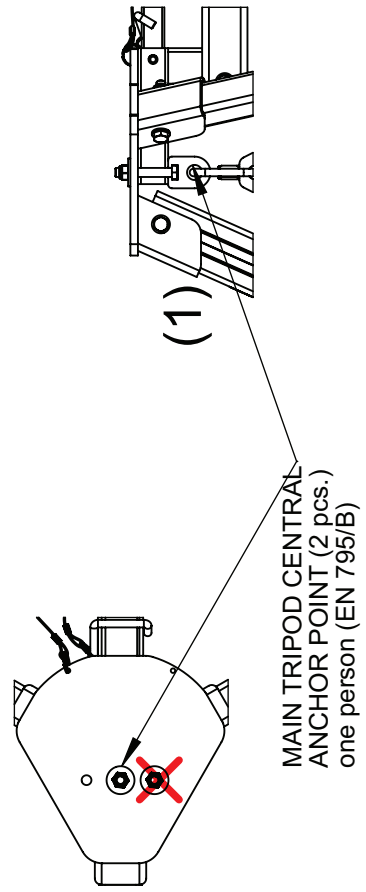
TM 12-2 provides protection for maximum two people at the same time.
 Each anchor point can be used by maximum one person at the same time.
 Maximum two anchor points can be used for personal protection at the same time.

TM 12-2 hexapod is equipped with four anchor points used for personal protection:
 (1) main tripod central anchor point (2 pcs.)
 (2) trolley B (1 pc)
 (3) beam attachment point (1 pc)

DO NOT USE ANCHOR POINTS FOR LIFTING LOADS!



ANCHOR POINTS FOR PERSONAL PROTECTION



RULES FOR PERSONAL PROTECTION:

1. ONE anchor point can be used by ONE person at the same time.
2. Maximum TWO people can be attached to the available anchor points at the same time.
3. Anchor points designed for personal protection should ONLY be used for personal fall protection equipment and NOT for lifting equipment.

GENERAL PRECAUTIONS

- While working PAY ATTENTION to the chain which fastens the tripod legs, as it can cause accidental tripping of the worker.
- Spider and main tripod MUST NEVER BE USED without chain. Legs MUST ALWAYS BE fastened with chain.
- AVOID working where the user may swing and hit an object or where lines may cross or tangle with that of another worker in the area.
- Fall arrest and rescue systems used with this device MUST MEET applicable EN standards requirements (EN 795 for anchor devices; EN 362 for connectors; EN 361 for full body harnesses; EN 360 for retractable type fall arresters; EN 1496 for rescue lifting devices; EN 1497 for rescue harnesses; EN 341 for descender devices).
- Always use T-locks's to maintain trolleys required position during operation.
- The Maximum Arrest Force (MAF) to which a user of a Fall Arrest System (FAS), who wears a full body harness, is exposed during an arrest of his/her fall is limited by law 6 kN in EU. The system used to protect user against fall from height must include fall protection equipment reducing the Maximum Arrest Force, acting on the user while arresting the fall, to maximum value of 6kN (e.g. fall safety energy absorber with lanyard or retractable fall arrester).
- Make sure that device is installed in a upright position on a flat, stable and hard surface. The surface must support the load.
- DO NOT use TM 12-2 safety device for more than two people at the same time.
- It is recommended that the device should be transported and installed by minimum two people.
- The anchor device or anchor point for the fall arrest system should always be positioned, and the work carried out in such a way, as to minimize both the potential for falls and potential fall distance. The anchor device/point should be placed above the position of the user. The shape and construction of the anchor device/point shall not allowed to self-acting disconnection of the equipment. Minimal static strength of the anchor device/point is 13 kN. It is recommended to use certified and marked structural anchor point complied with EN 795.

THE ESSENTIAL PRINCIPLES OF USE OF PERSONAL PROTECTIVE EQUIPMENT

- Personal Protective Equipment (PPE) shall only be used by a person trained and competent in its safe use.
- PPE must not be used by a person with medical condition that could affect the safety of the equipment user in normal and emergency use.
- A rescue plan shall be in place to deal with any emergencies that could arise during the work.
- It is forbidden to make any alterations or additions to the equipment without the manufacturer's prior written consent.
- Any repair shall only be carried out by equipment manufacturer or his certified representative.
- PPE shall not be used outside its limitations, or for any purpose other than that for which it is intended.
- PPE should be a personal issue item.
- Before use ensure about the compatibility of items equipment assembled into fall arrest system. Periodically check connecting and adjusting of the equipment components to avoid accidental loosening or disconnecting of the components.
- It is forbidden to use combinations of items of equipment in which the safe function of any one item is affected by or interferes with the safe function of another.
- It is essential for the safety of the user that if the product is re-sold outside the original country of destination the reseller shall provide instruction for use, for maintenance, for periodic examination and for repair in language of the country in which the product is to be sold.
- A full body harness (conforming EN 361) is the only acceptable body holding device that can be used in a fall arrest system.
- On full body harness use only attaching points marked with big letter "A" to attach a fall arrest system.
- It is obligatory to verify the free space required beneath the user at the workplace before each occasion of use the fall arrest system, so that, in the case of a fall, there will be no collision with the ground or other obstacle in the fall path. The required value of the free space should be taken from instruction manual of used equipment.
- There are many hazards that may affect the performance of the equipment and corresponding safety precautions that have to be observed during equipment utilization, especially:
 - trailing or looping of lanyards or lifelines over sharp edges,
 - any defects like cutting, abrasion, corrosion,
 - climatic exposure,
 - pendulum falls,
 - extremes of temperature,
 - chemical reagents,
 - electrical conductivity.

INSPECTION

Before each use of personal protective equipment it is obligatory to carry out a pre-use check of the equipment, to ensure that it is in a serviceable condition and operates correctly before it is used.

During pre-use check it is necessary to inspect all elements of the equipment in respect of any damages, excessive wear, corrosion, abrasion, cutting or incorrect acting, especially take into consideration:

- in full body harnesses and belts - buckles, adjusting elements, attaching points, webbings, seams, loops;
- in energy absorbers - attaching loops, webbing, seams, casing, connectors;
- in textile lanyards or lifelines or guidelines - rope, loops, thimbles, connectors, adjusting elements, splices;
- in steel lanyards or lifelines or guidelines - cable, wires, clips, ferrules, loops, thimbles, connectors, adjusting elements;
- in retractable fall arresters - cable or webbing, retractor and brake proper acting, casing, energy absorber, connector;
- in guided type fall arresters - body of the fall arrester, sliding function, locking gear acting, rivets and screws, connector, energy absorber;
- in connectors - main body, rivets, gate, locking gear acting;
- in tripods - legs, safety pins, eye bolts, feet, chain, connecting elements.

PERIODIC INSPECTION

After every 12 months of utilization, personal protective equipment must be withdrawn from use to carry out periodical detailed inspection. The periodic inspection must be carried out by a competent person for periodic inspection. The periodic inspection can be carried out also by the manufacturer or his authorized representative. In case of some types of the complex equipment e.g. some types of retractable fall arresters the annual inspection can be carried out only by the manufacturer or his authorized representative.

During this inspection will be established admissible time of the device use till next manufacturer's inspection.

The result of the inspection must be recorded in Identity Card.

Regular periodic inspections are the essential for equipment maintenance and the safety of the users which depends upon the continued efficiency and durability of the equipment.

During periodic inspection it is necessary to check the legibility of the equipment marking.

ADMISSIBLE TIME OF USE

The tripod can be used for 5 years counting from a date of putting the tripod into operation. After this period the tripod must be withdrawn from use to carry out manufacturer's detailed inspection.

The manufacturer's inspection can be carried out by:

- manufacturer
- person recommended by manufacturer
- company recommended by manufacturer.

During this inspection will be established admissible time of tripod use till next manufacturer's inspection and recorded in Identity Card.

WITHDRAWAL FROM USE

Personal protective equipment must be withdrawn from use immediately when any doubt arise about its condition for safe use and not used again until confirmed in writing by equipment manufacturer or his representative after carried out the detailed inspection.

WITHDRAWN FROM USE AFTER ARRESTING A FALL

Safety hexapod TM 12-2 must be withdrawn from use immediately when it have been used to arrest a fall. After that must be carried

out detailed manufacturer's inspection of the tripod.

The manufacturer's inspection can be carried out by:

- manufacturer
- person recommended by manufacturer
- company recommended by manufacturer.

During this inspection will be established if the tripod can be longer used and will be define the admissible time of tripod use till next manufacturer's inspection and recorded in Identity Card.

TRANSPORTATION

Personal protective equipment must be transported in the package (e.g.: bag made of moisture-proof textile or foil bag or cases made of steel or plastic) to protect in against damage or moisture.

MAINTENANCE AND STORAGE

The equipment can be cleaned without causing adverse effect on the materials in the manufacture of the equipment. For textile products use mild detergents for delicate fabrics, wash by hand or in a machine and rinse in water. Plastic parts can be cleaned only with water. When the equipment becomes wet, either from being in use or when due cleaning, it shall be allowed to dry naturally, and shall be kept away from direct heat. In metallic products some mechanic parts (spring, pin, hinge, tec.) can be regularly slightly lubricated to ensure better operation. Other maintenance and cleaning procedures should be adhered to detailed instructions stated in the manual of the equipment.

Personal protective equipment should be stored loosely packed, in a well-ventilated place, protected from direct light, ultraviolet degradation, damp environment, sharp edges, extreme temperatures and corrosive or aggressive substances.

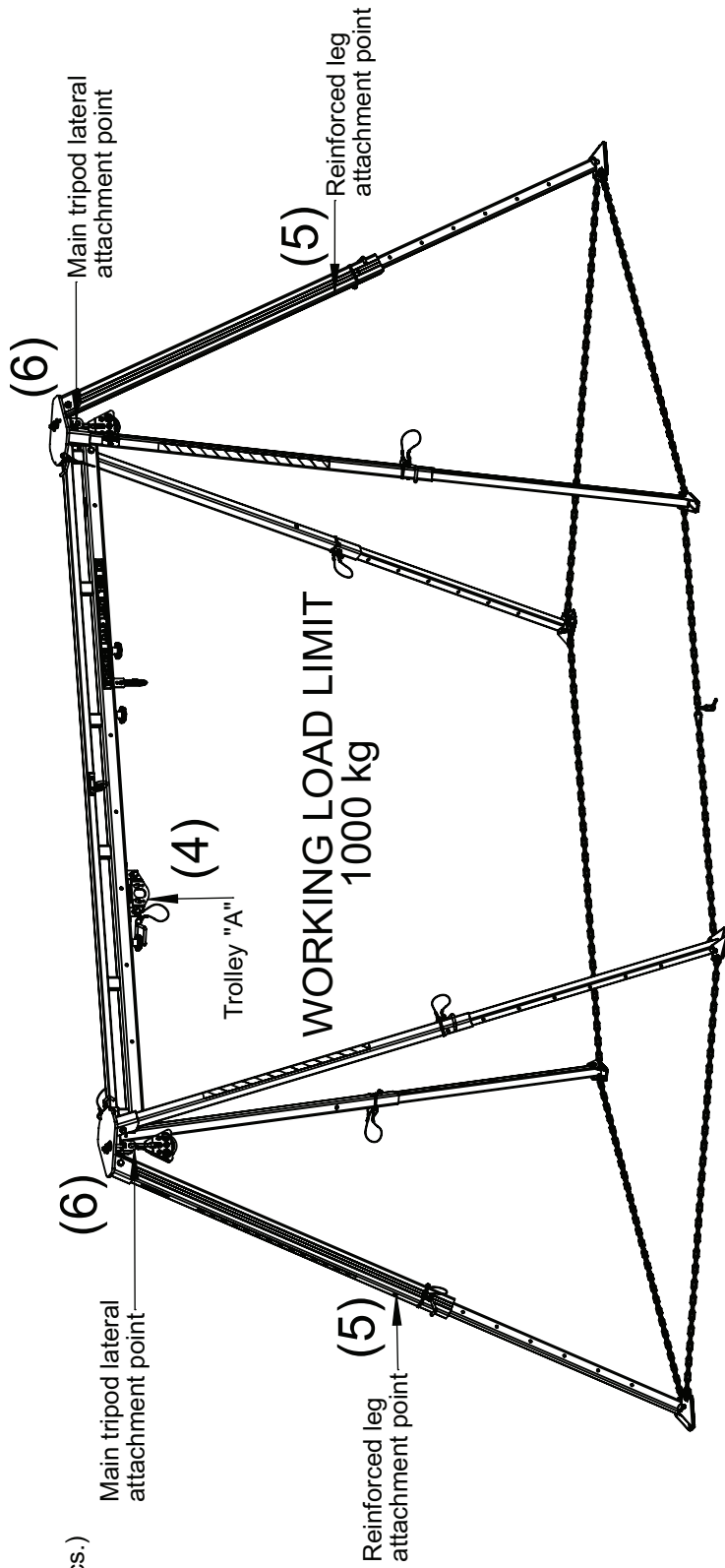
SECTION 4 - LIFTING LOADS

DESCRIPTION

TM 12-2 hexapod and main tripod can be used for lifting loads up to 1000 kg using brake winches (RUP 502-AT and RUP 503-T) and other lifting equipment (e.g. chain hoists, etc.)

TM 12-2 hexapod is equipped with five attachment points used for lifting loads:

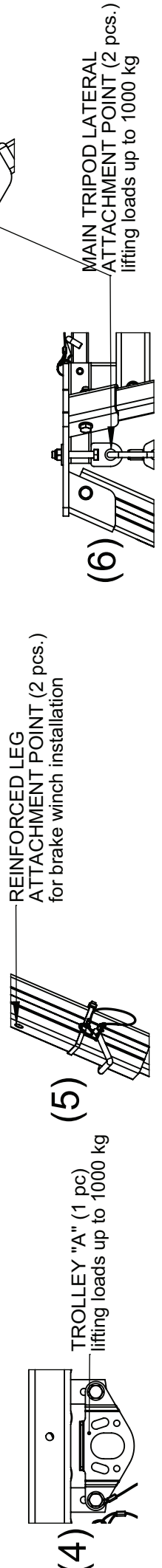
- (4) - Trolley "A" (1 pc)
- (5) - Reinforced leg attachment point (2 pcs.)
- (6) - Main tripod lateral attachment point (2 pcs.)



RULES FOR LIFTING LOADS:

1. DO NOT USE ANCHOR POINTS DESCRIBED IN SECTION 3 FOR LIFTING LOADS.
2. ONLY five attachment points (4) and (5) and (6) can be used for lifting loads.
3. Reinforced leg attachment point (5) is designed for RUP 502-AT or RUP 503-T brake winches installation.
4. ALWAYS USE Trolley "A" detent pin for lock Trolley "A" position during lifting loads using RUP series brake winches.
5. For lifting loads always use lifting devices for loads or chain hoists.

ATTACHMENT POINTS FOR LIFTING LOADS

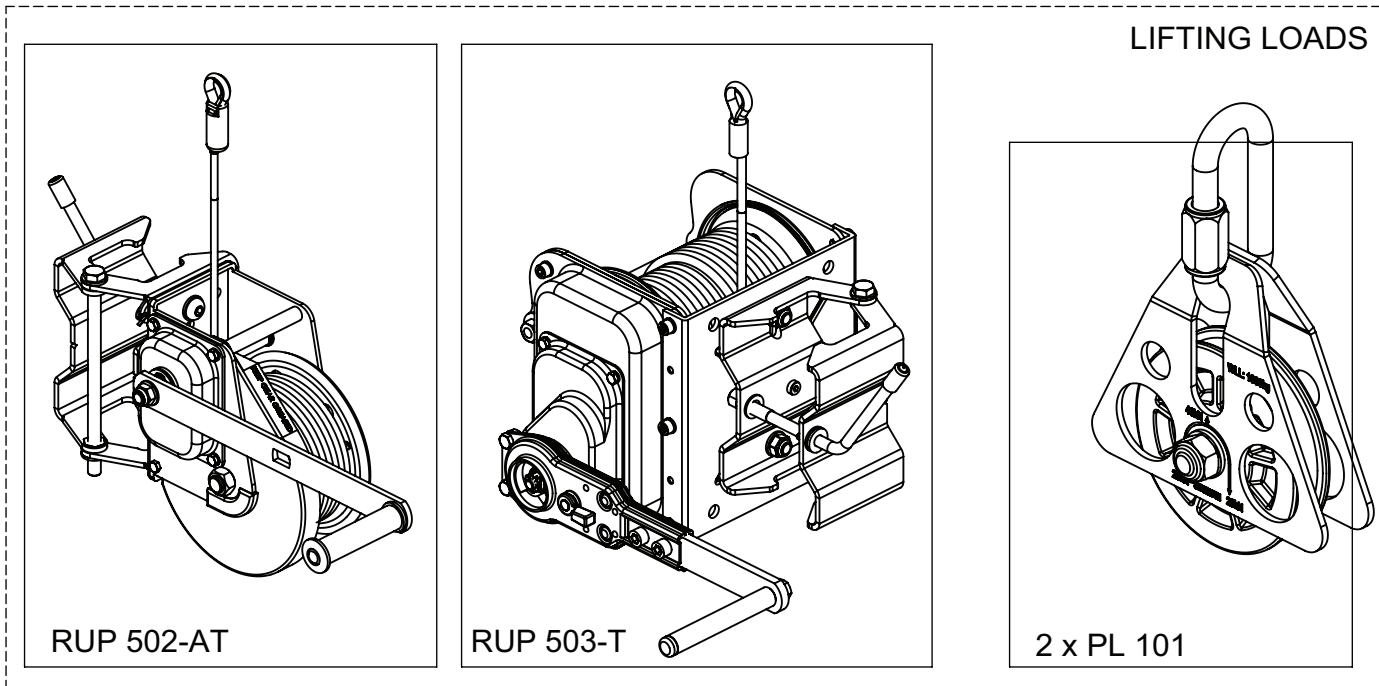
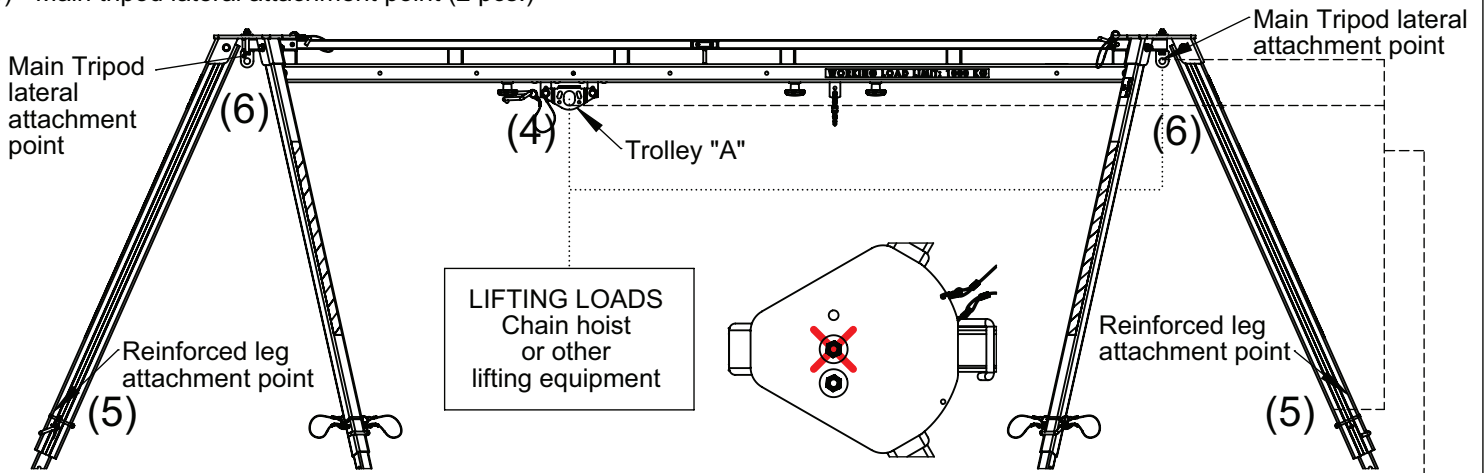


USAGE TM 12-2 HEXAPOD FULL SET FOR LIFTING LOADS

TM 12-2 hexapod can be used for lifting loads up to 1000 kg in conjunction with brake winches RUP 502-AT or RUP 503-T or chain hoists. Do not exceed maximum loading capacity of lifting equipment. Maximum capacity should be indicated on lifting equipment nameplate.

Attachment points used for lifting loads:

- (4) - Trolley "A" (1 pc)
- (5) - Reinforced leg attachment point (2 pcs.)
- (6) - Main tripod lateral attachment point (2 pcs.)



Set	TM 12-2 hexapod		
Equipment	+ chain hoist	+ 2 x PL 101 + RUP 502-AT	+ 2 x PL 101 + RUP 503-T
Attachment point(s) in use	(4) or (6)	(4) (5) (6)	(4) (5) (6)
Working Load Limit	1000 kg	500 kg	1000 kg
TOTAL LOADING CANNOT EXCEED 1000 kg			

INSTALLING RUP 502-AT / RUP 503-T BRAKE WINCH TO THE TM 12-2 HEXAPOD FULL SET

The TM 12-2 hexapod full set can be used with RUP 502-AT / RUP 503-T brake winches. RUP 502-AT / RUP 503-T brake winches should be installed on the main tripod reinforced leg. The grip of the brake winches should be fastened on the locking hole situated on the internal wall of the reinforced leg. Rope pulley #1 should be attached to the Main Tripod Lateral Attachment Point using connector. Rope pulley #2 should be attached to the Trolley "A" with connector. Working rope should pass through the pulleys #1 and #2 wheels. Position of the Trolley "A" should be secured with Trolley "A" detent pin installed in one of Trolley "A" locking holes and back of the Trolley "A" should be supported by T-lock. For proper and safe installation and use of the RUP 502-AT / RUP 503-T please refer their instruction manuals.

