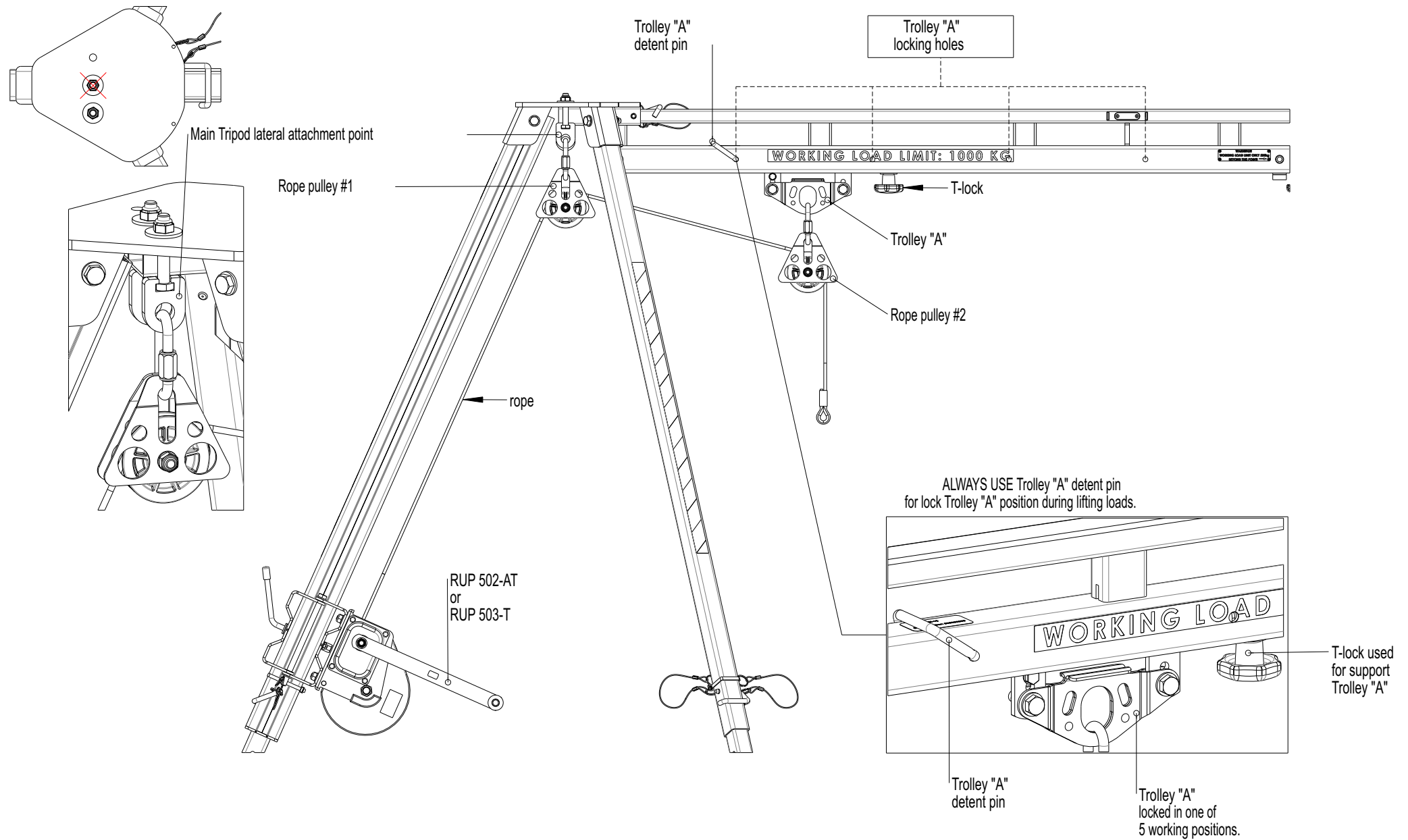


INSTALLING RUP 502-AT / RUP 503-T BRAKE WINCH TO THE TM 12 SPIDER FULL SET

The TM 12 spider full set can be used with RUP 502-AT / RUP 503-T brake winches. RUP 502-AT / RUP 503-T should be installed on the main tripod reinforced leg. The grip of the brake winches should be fastened on the locking hole situated on the internal wall of the reinforced leg. Rope pulley #1 should be attached to the Main Tripod Lateral Attachment Point using connector. Rope pulley #2 should be attached to the Trolley "A" with connector. Working rope should pass through the pulley #1 and #2 wheels. Position of the Trolley "A" should be secured with Trolley "A" detent pin installed in one of 4 Trolley "A" locking hole and back of the Trolley "A" should be support by T-lock. For proper and safe installation and use of the RUP 502-AT / RUP 503-T please refer their instruction manuals.

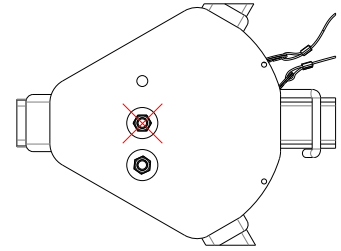
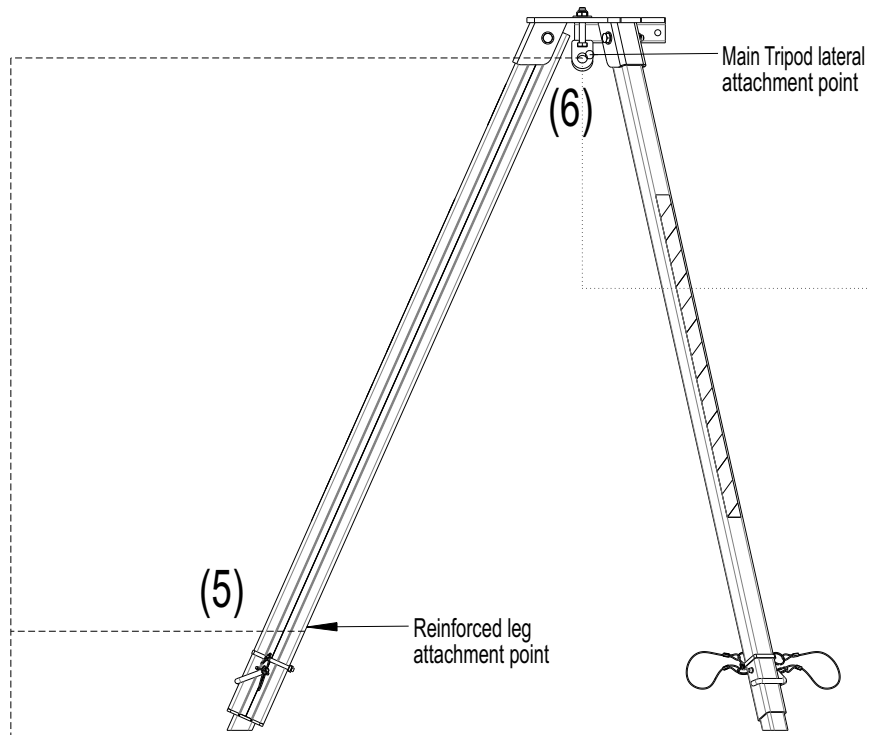


USAGE TM 12 MAIN TRIPOD FOR LIFTING LOADS

TM 12 main tripod can be used separately for lifting loads up to 1000 kg in conjunction with brake winches RUP 502-AT / RUP 503-T or chain hoists. Do not exceed the maximum loading capacity of lifting equipment. Maximum capacity should be indicated on their nameplate.

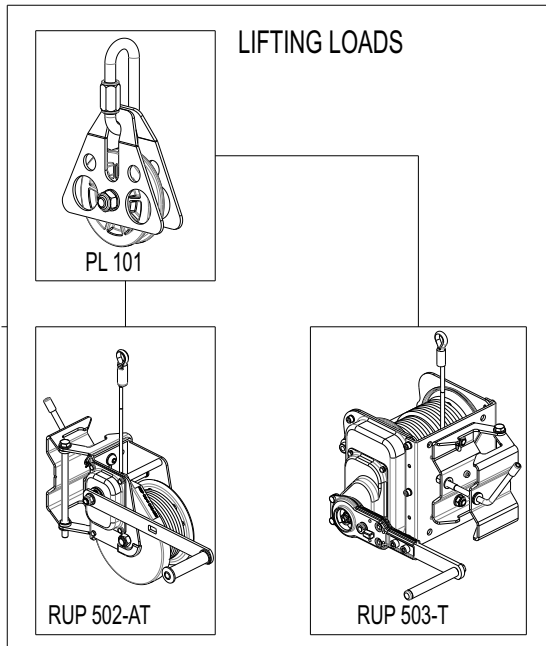
Attachment points used for lifting loads:

- (5) reinforced leg attachment point (1 pc)
- (6) main tripod lateral attachment point (1 pc)



LIFTING LOADS

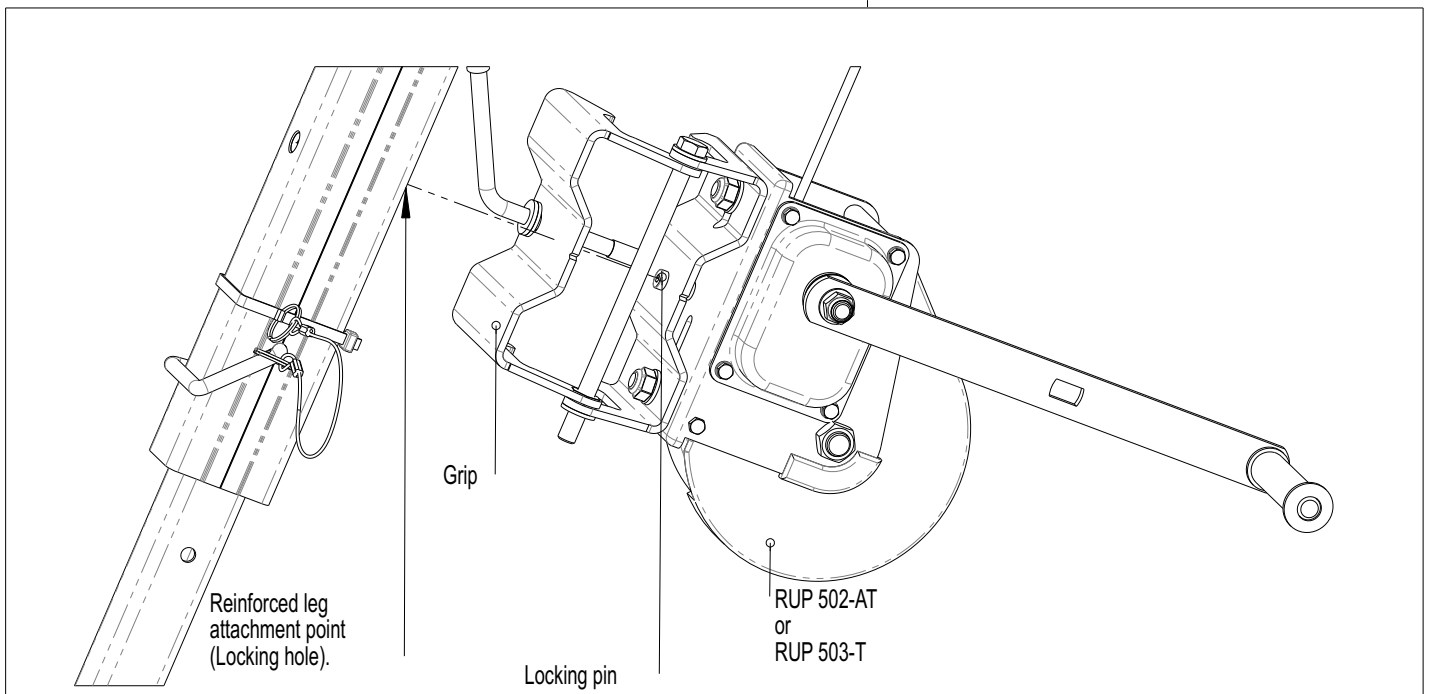
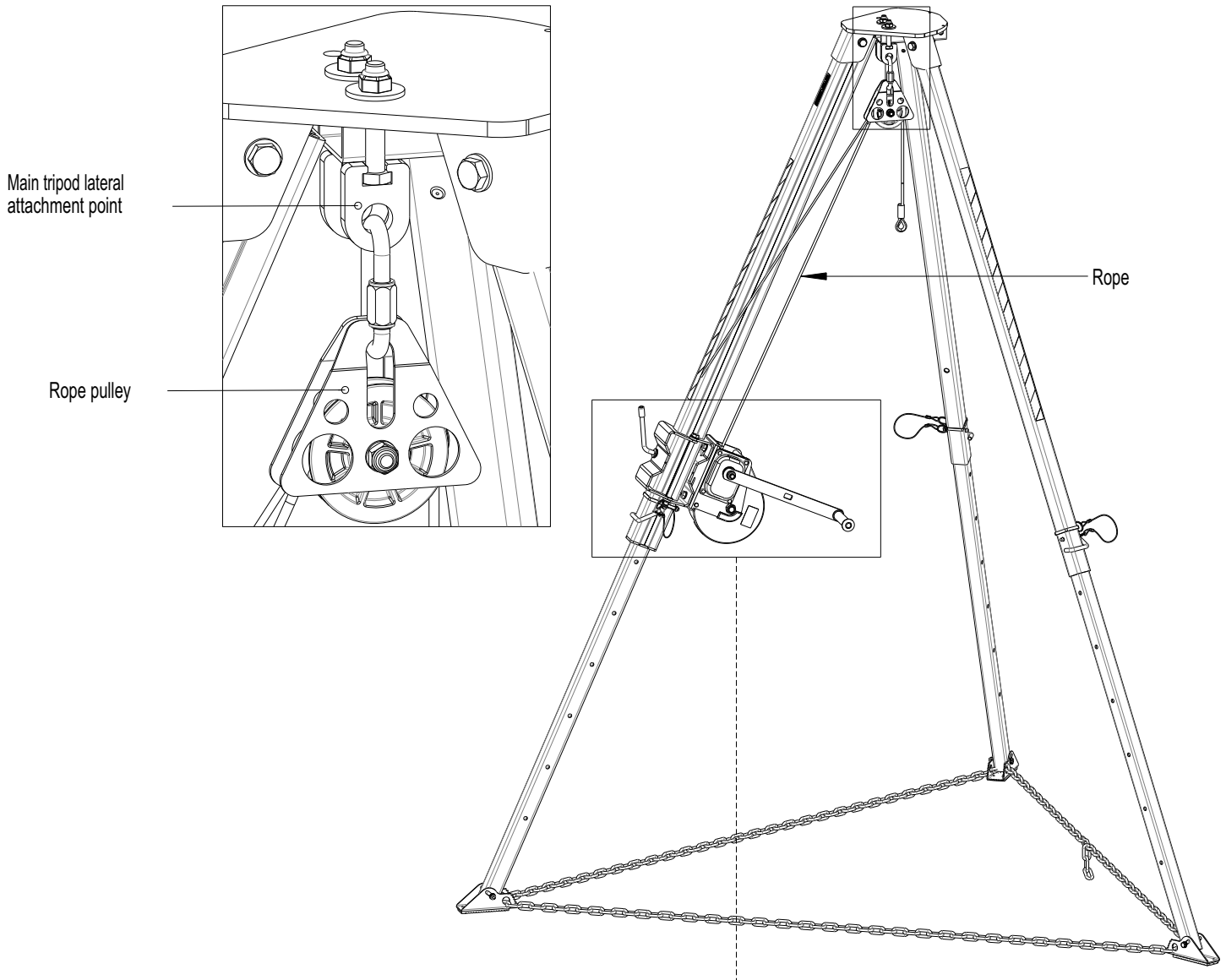
Chain hoist
or other
lifting equipment



Set	TM 12 Main Tripod		
Equipment	+ chain hoist	+ PL 101 + RUP 502-AT	+ PL 101 + RUP 503-T
Attachment point(s) in use	(6)	(5) (6)	(5) (6)
Working Load Limit	1000 kg	500 kg	1000 kg
TOTAL LOADING CANNOT EXCEED 1000 kg			

INSTALLING RUP 502-AT / RUP 503-T BRAKE WINCH TO THE TM 12 MAIN TRIPOD

The TM 12 main tripod can be used separately with RUP 502-AT / RUP 503-T brake winches. RUP 502-AT / RUP 503-T should be installed on the main tripod reinforced leg. The grip of the brake winch should be fastened on the locking hole situated on the internal wall of the reinforced leg. Rope pulley should be attached to the Main Tripod Lateral Attachment Point with connector. Working rope should pass through the pulleys wheel. For proper and safe installation and use of the RUP 502-AT / RUP 503-T please refer their instruction manuals.



SECTION 5 - RESCUE ACCORDING TO EN 1496/B

RULES FOR RESCUE:

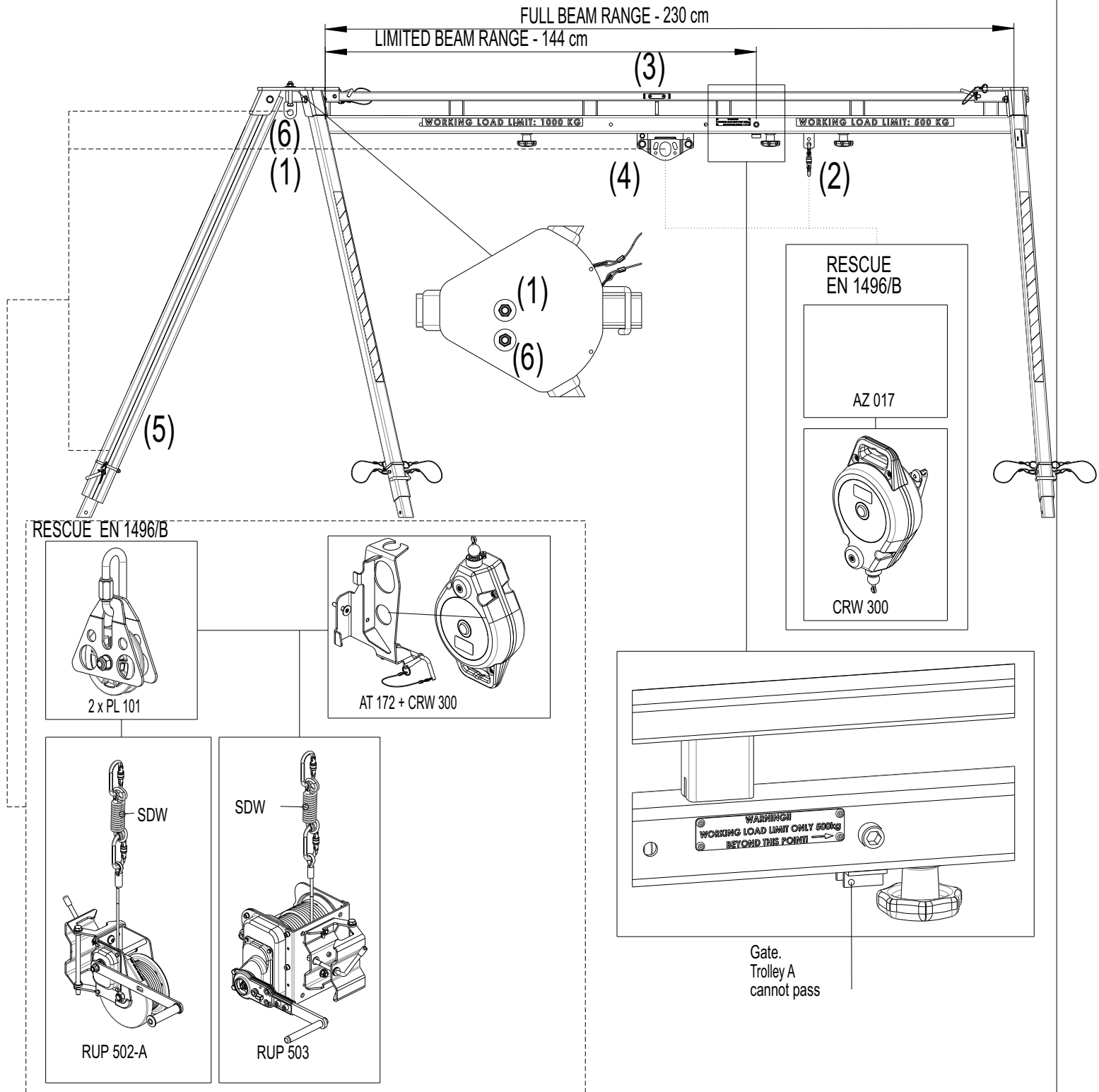
1. Trolley "A" can be use ONLY on the limited beam range.
2. Trolley "B" can be use on the full beam range.
3. One attachment point can be used ONLY by ONE person at the same time.
4. Maximum TWO people can be attached to the available attachment points at the same time.
5. ONLY ONE trolley can be used for rescue purposes at the same time.
6. ALWAYS USE Trolley "A" detent pin for lock Trolley "A" position during rescue using RUP series rescue lifting devices and CRW 300 device.

GENERAL PRECAUTIONS FOR RESCUE:

- Secondary fall arrest system (conforming EN 363) must be used when working with the TM 12 and RUP 502-A / RUP 503.
- Fall arrest and rescue systems used with this device MUST MEET applicable EN standards requirements (EN 795 for anchor devices; EN 362 for connectors; EN 361 for full body harnesses; EN 360 for retractable type fall arresters; EN 1496 for rescue lifting devices; EN 1497 for rescue harnesses; EN 341 for descender devices).
- For rescue purposes with RUP 502-A or RUP 503 rescue lifting devices always use SDW energy absorber (component of RUP 502-A and RUP 503 lifting devices).
- During installing rescue lifting devices RUP 502-A, RUP 503 or CRW 300 (with AT 172 fixing adapter) locking pin MUST BE embedded in locking hole. Only then rescue lifting device can be safely and firmly installed on the spider reinforced leg.

USAGE TM12 SPIDER FULL SET FOR RESCUE PURPOSES

TM 12 spider full set can be used for rescue purposes in conjunction with RUP 502-A, RUP 503, CRW 300 rescue lifting devices.



Set	spider full set + 2 x PL 101 + RUP 502-A	spider full set + 2 x PL 101 + RUP 503	spider full set + 2 x PL 101 + AT 172 + CRW 300	spider full set + AZ017 + CRW 300
Standard	EN 1496/B			
Attachment point(s) in use	(4) (5) (6)	(4) (5) (6)	(4) (5) (6)	(2) or (4)
Max. number of users at the same time	1	2	1	1
Working Load Limit	140 kg	200 kg	140 kg	140 kg

INSTALLING RUP 502-A / RUP 503 RESCUE LIFTING DEVICES TO THE TM 12 SPIDER FULL SET

The TM 12 spider full set can be used with RUP 502-A / RUP 503 rescue lifting devices. RUP 502-A / RUP 503 should be installed on the main tripod reinforced leg. The grip of the rescue lifting devices should be fastened on the locking hole situated on the internal wall of the reinforced leg. Rope pulley #1 should be attached to the Main Tripod Lateral Attachment Point using connector. Rope pulley #2 should be attached to the Trolley "A" with connector. Working rope should pass through the pulley #1 and #2 wheels. Position of the Trolley "A" should be secured with Trolley "A" detent pin installed in one of 4 Trolley "A" locking holes and back of the Trolley "A" should be support by T-lock. For proper and safe installation and use of the RUP 502-A / RUP 503 please refer their instruction manuals.

