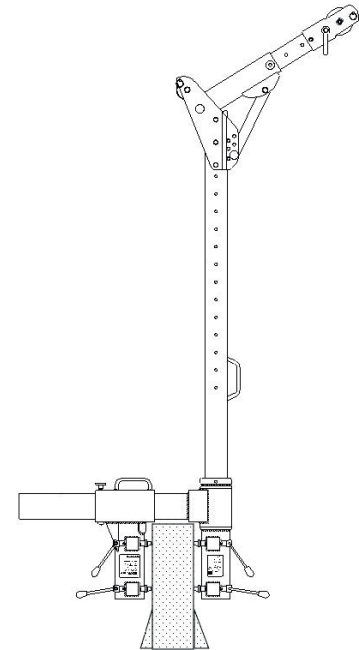
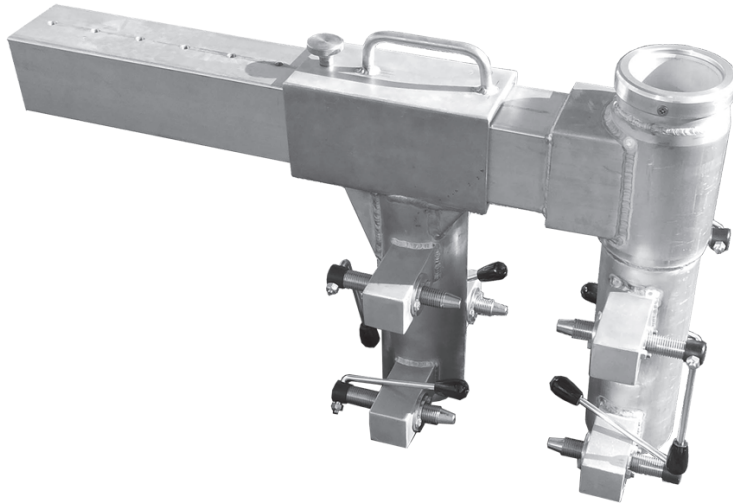


Adjustable Clamp Socket (ACS) for use with the G.Davit.

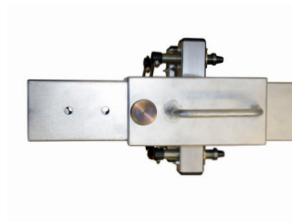
EN795

2006/42/EC

TS16415



- ◆ Suits D200-60 and D200-80 G.Davit models
- ◆ Certified for lifting personnel (200kg) & loads (250kg)
- ◆ Aluminium
- ◆ Weighs approx. 24kg (505mm size)
- ◆ Available for different wall thicknesses (see table below)
- ◆ The supporting structure must be strong enough to support a bending moment of 8,400 Nm.



Size	Code
up to 325mm wall	GSE200ACS325
up to 505mm wall*	GSE200ACS505*
up to 745mm wall	GSE200ACS745

* standard

Personnel MWL	200kg
Loads MWL	250kg