

G.Davit

and associated
brackets



User Instruction Manual

(Original Instructions)

A transportable davit arm for use with a range of base-mounting socket options.

Suitable for both fall arrest use and lifting.

EN795 Class B, PPE Anchor Device

PD CEN/TS 16415:2013

BS EN ISO 12100:2010

Machinery Directive 2006/42/EC

CE



T: +44 (0) 1691 654 966
F: +44 (0) 1691 661 726
info@globestock.co.uk
www.globestock.co.uk
@Globestock_Ltd

Globestock Limited, Mile Oak Industrial Estate,
Maesbury Road, Oswestry, Shropshire, SY10 8GA UK

Notified body responsible for the EU type examination and Module C2/D certification

SGS United Kingdom Ltd.

Inward Way,
Rossmore Business Park,
Ellesmere Port,
Cheshire, CH65 3EN
United Kingdom

SGS MIS Environmental Limited

Eden House,
Watling Street Industrial Estate,
Leadgate,
Consett,
County Durham,
DH8 6TA
United Kingdom

Instructions

Read equipment labels and 'user instructions' before using this product.

If in any doubt of the setup, condition or installation of this product, please contact a Globestock-approved agent for advice.

Contents	Page
1. Introduction	3
2. G.Davit General Assembly	4,5
3. Socket Options & Installation	6
3.1 Socket Installation	6
4. Considerations For Setting Up	6
4.1 Setting Up The G.Davit	6,7,8
4.2 Setting Up The G.Winch Brackets	9,10,11,12,13
4.3 Setting Up The Arrester Brackets	14,15,16,17,18
5. Considerations For Use	19,20,21
6. Inspection & Maintenance	22
6.1 Before Use Inspections	22
6.2 Periodic Examination	22
6.3 Service & Re-Certification	23
6.4 Repairs	23
6.5 Cleaning, Storage And Transportation	23
7. EC Declaration of Conformity	24
8. Examination Record Sheets	25,26,27



Introduction

The G.Davit is a lightweight transportable aluminium davit arm that has been developed to enable the safe entry of personnel to an area of restricted access, into a confined space or to enable work at varying levels beneath the davit.

The G.Davit has dual pulley sets to enable the simultaneous use of two pieces of rope-based equipment, such as a G.Winch and G.Stop/G.Saver II. In addition, there is a shackle attachment point to facilitate the suspension of a variety of safety and lifting equipment. The system has been tested to EN 795 - 2012 Class B.

The G.Davit is adjustable to enable further reach of the davit arm, or greater height, to better suit different working environments. It can be used as a fall arrest anchorage, for the regular raising/lowering of personnel, or for general lifting operations, providing the maximum working load is adhered to. If being used as part of a fall arrest system a suitable fall arrester- such as the G.Saver II – must be fitted.

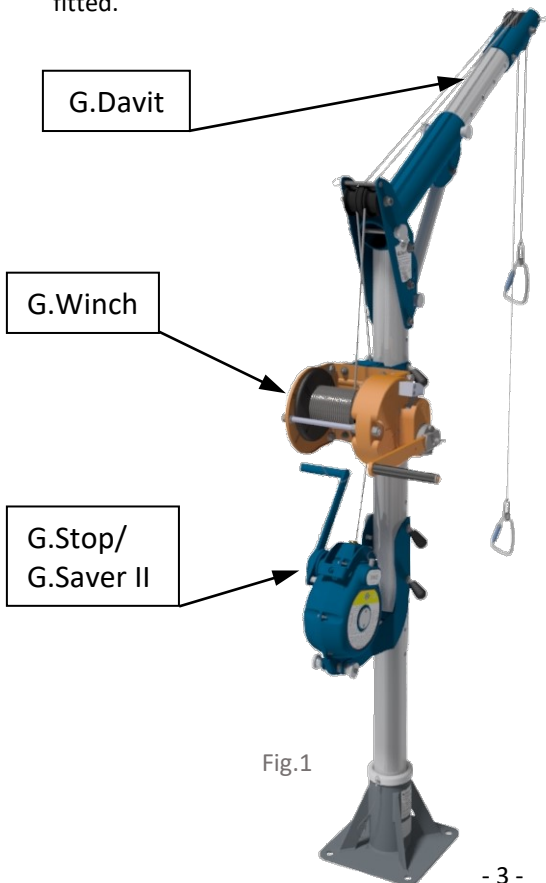


Fig.1

Recommended use is in conjunction with the G.Winch for hoisting personnel, and the G.Saver II fall arrest and retrieval device, to protect against potential falls during use. The G.Saver II also provides a backup retrieval system for use in an emergency.

<u>Model</u>	<u>Reach</u>	<u>Working Height</u>
D200/80	0.4-0.8m	2.0-2.4m
D200/60	0.28-0.6m	1.94-2.27m

200kg maximum working load for people.
250kg maximum working load for materials.

Unit weight 17kg (without accessories)

2. Assembly

The G.Davit is supplied in 3 pieces: Boom sleeve, boom extension and mast, along with 3 thumbwheel pins. See fig. 4 for parts identification.

The G.Davit is now ready for assembly. The bottom of the carry strap can be left attached to the mast handle to prevent it getting lost.

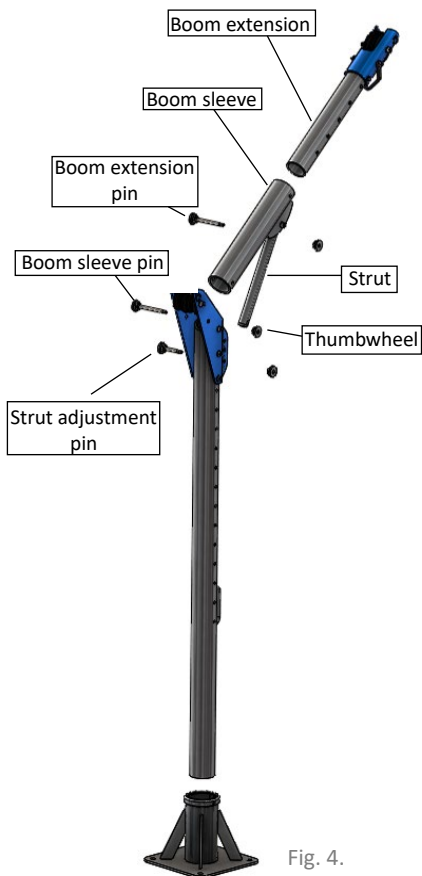
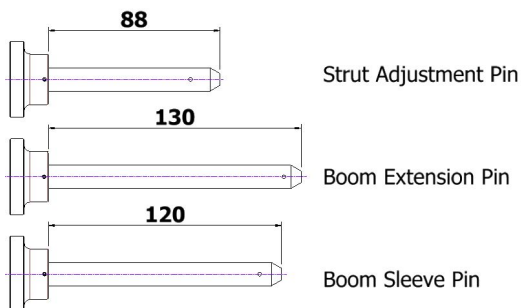


Fig. 4.

To assemble: lay the mast on the ground and place the boom sleeve into the top housing, (see fig. 4)

Insert the boom sleeve pin and screw on the thumbwheel nut on the other side. Align the strut into the required height setting location (see fig. 5) and insert the strut adjustment pin and then screw the thumbwheel nut on. Insert the boom extension into the boom sleeve in the required location (see fig. 5) and insert the boom extension pin and thumbwheel nut to secure it in place.

A socket will also be required and there are variants available depending on the application.



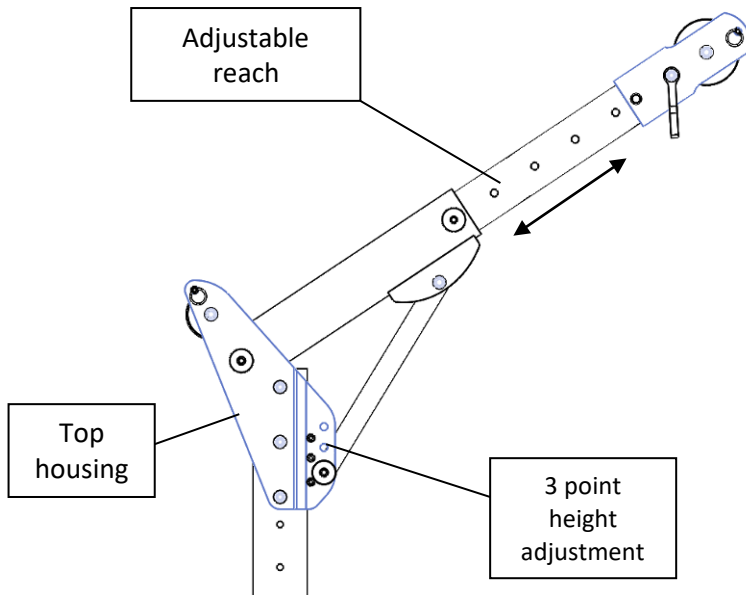


Fig.5
(Full extension)

Using both the height and reach adjustments, the G.Davit can be adjusted to suit differing situations.

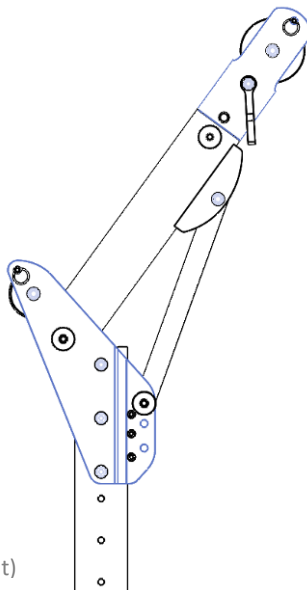


Fig.6
(Retracted with full height)

3. Socket Options

There are a range of socket options available to facilitate use in a range of differing environments. Please contact your distributor for further details.

3.1 Socket Installation

Socket installation should only be carried out by a competent person, it is essential that the competent person has the ability to specify an installation that is safe for use.

It is strongly recommended that the installation of any socket is tested and verified before initial use. This applies to both fixed sockets and the Adjustable Clamp Socket. Please see the applicable manual.

We recommend that an installation should not be carried out using a non-Globestock socket. In the case that a non-Globestock socket is used, we strongly recommend that it complies to EN 795 Class B, PPE Anchor Devices standards. Where a non-Globestock socket is used the installer becomes responsible for the system.

These guidelines are in line with BS 7883:2005.

4. Considerations for Setting Up

Where possible, the equipment should be inspected and setup in a safe area away from any potential hazards.

Fall protection should be considered when setting up the davit if the area poses a risk of a fall from height.

It may be necessary, due to terrain/location, for 2 persons to set up the G.Davit.

It is not advised to fit the G.Davit into its socket with winches or other equipment already attached. Any accessory should be added to the davit after it is located in the socket.

4.1 Setting up the G.Davit (See Fig. 6)

1. The G-Davit should be set down and inspected in a safe place, ideally away from the edge/confined space entry or area of work.

2. With the appropriate socket already installed according to its instructions, the G.Davit can now be fitted into the base socket.
3. Hold the G.Davit horizontal while standing furthest away from the edge. With the socket between the edge and the davit, lay the mast of the davit on the top of the socket.
4. Gradually raise the davit to vertical, keeping the mast end on the top of the socket. When the mast is vertical, lower the davit into the socket.
5. When setting up the accessories on the G.Davit, the operator should stand with the G.Davit between themselves and the entrance. The davit arm can be rotated to gain safe access to the pulley pins on the top of the mast and boom extension. For more detailed instructions see *4.2 Setting up the Winch Brackets*, and *4.3 Setting up the Arrester brackets*.
6. Globestock's G.Saver II/G.Stop and the G.Winch can be attached to the rear of the G.Davit as shown in fig. 7 using brackets (available separately).

If in any doubt, please contact your distributor for further information.

Fig. 7.

(attaching accessories to the G.Davit)



With G.Winch
and G.Saver II



With G.Saver II



With G.Winch

Up to two accessories can be installed on the G.Davit simultaneously. If a single item is used then it can be fixed anywhere on the mast to suit the operator, if two items are to be used then the winch must be mounted at the top and the other below.

To install the wire rope on the pulleys; for each piece of equipment, start at the mast end and pull the spring-loaded pin fully out, place the rope on the pulley then release the pin back, repeat this for the boom extension end.

Regardless of how many pieces of equipment are being used on the G.Davit, the arrester wire always uses the left side pulleys, as viewed when standing behind the G.Davit.

NOTE: if using a retractable type lifeline be sure to hold the cable firmly, if you let go it will quickly retract back into the unit.

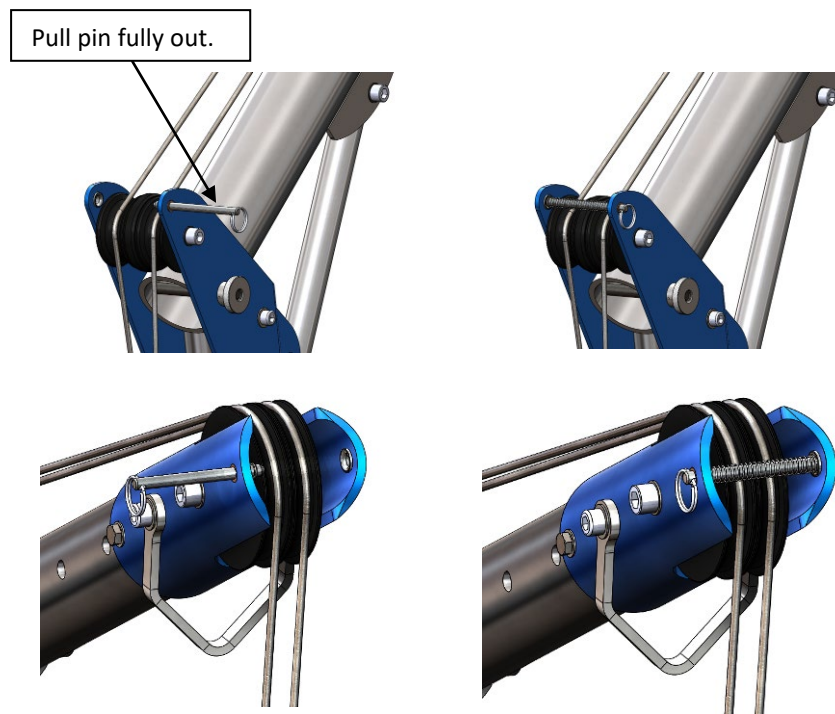


Fig. 8
(fitting rope to the pulleys)

Once the G.Davit has been set up in its socket and with its accessories attached it is ready to use.

4.2 Setting up the Winch brackets

Winch bracket mounting instructions.

When setting up accessories on the G.Davit, the operator should stand with the G.Davit between themselves and the edge. The davit arm can be rotated to gain safe access to the pulley pins on the top of the mast and boom extension.

While fitting any brackets or equipment to the G.Davit we recommend that you wear the appropriate PPE at all times.

Before installation of the accessories begins, take note of the orientation of the bolt handles and hand nuts. The setup in figure 1 on page 3 is recommended to prevent the handles clashing when a G.Winch and/or G.Stop/G.Saver II are installed.

The G.Winch bracket is split into two halves; one half attaches to the G.Winch and the other attaches to the mast, as shown in figures 9 & 10.

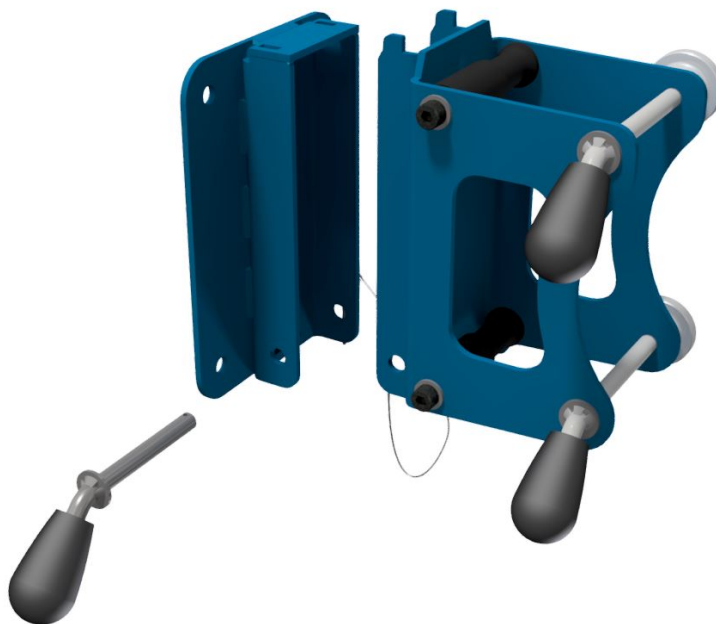


Fig.9

When attaching the first bracket half to the G.Winch, be sure to get the correct alignment as shown in figure 10 and fully tighten the bolts.

Note the orientation of the winch. The rope should exit the winch from the inside of the drum.

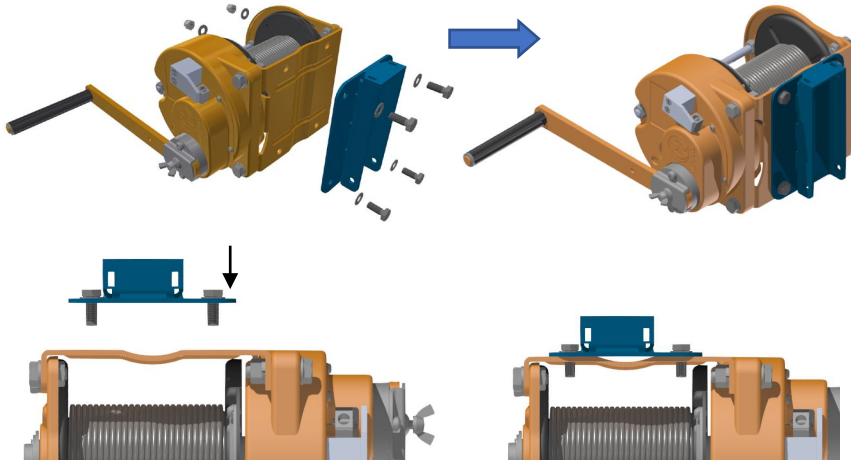


Fig.10

Once the height of the winch has been decided the bracket can be attached to the mast. Hold the bracket in one hand and offer the bracket up to the mast ensuring that the holes for the bolts are aligned correctly. With your other hand locate the bolt into the hole at the top of the bracket and push it through the mast until it can't go any further.

Now that the bolt is fully located the bracket no longer needs to be supported and the hand nut can be tightened. See figure 11.

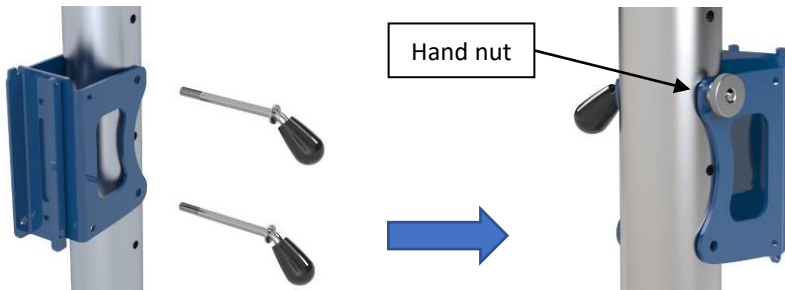


Fig.11

Now locate the second bolt into the lower hole and tighten the hand nut.

You should now have one part of the bracket securely attached to the winch and the second part of the bracket securely attached to the mast of the davit as shown in figure 12.

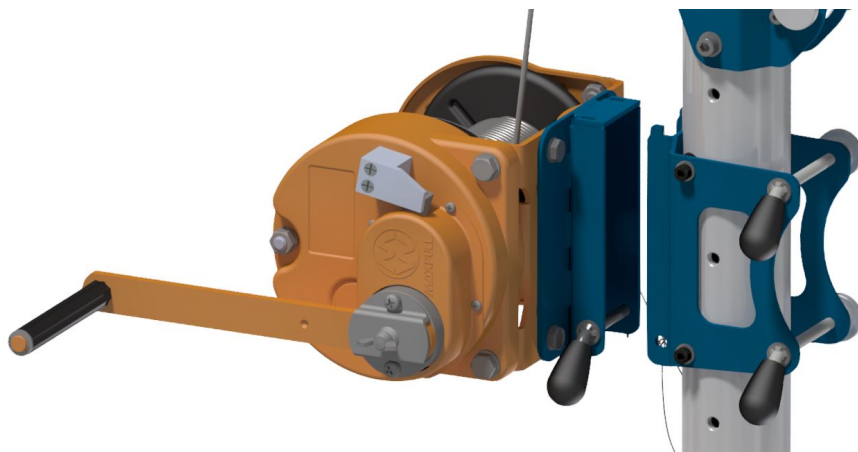


Fig.12

The next step is to attach the two parts of the bracket together. For this you need to be standing directly in front of the winch and in line with the bracket attached to the mast as shown in figure 12.

It is recommended that two people are used to carefully lift the winch up to the bracket on the mast and align the two slots in line with the two tabs on the top of the bracket. Then lower the winch so that the tabs locate through the slots and are both protruding through of the top of the slots as shown in figure 13.

Perform a visual inspection at this stage ensuring that the tabs are fully located and both brackets are parallel and square with each other.

Fig.13

Now that the tabs are located in the two holes the winch will stay in place and the retaining pin can be pushed through the lower hole in the bracket. See figure 14.

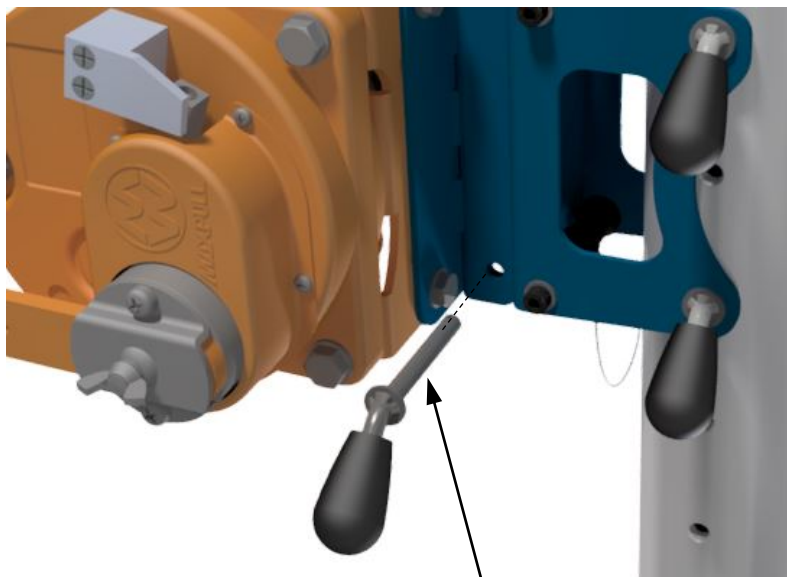
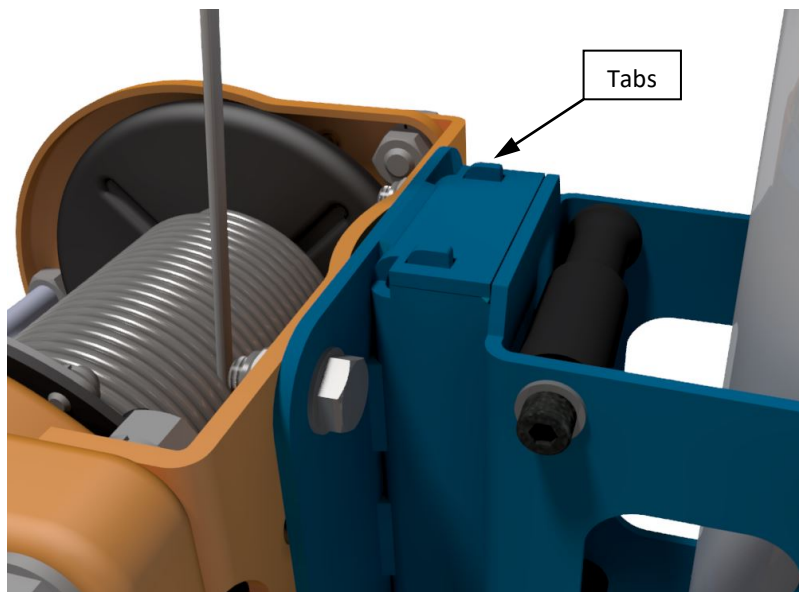


Fig.14

Retaining pin

Once the retaining pin is pushed all the way through be sure to position the R clip into place as shown in figure 15.

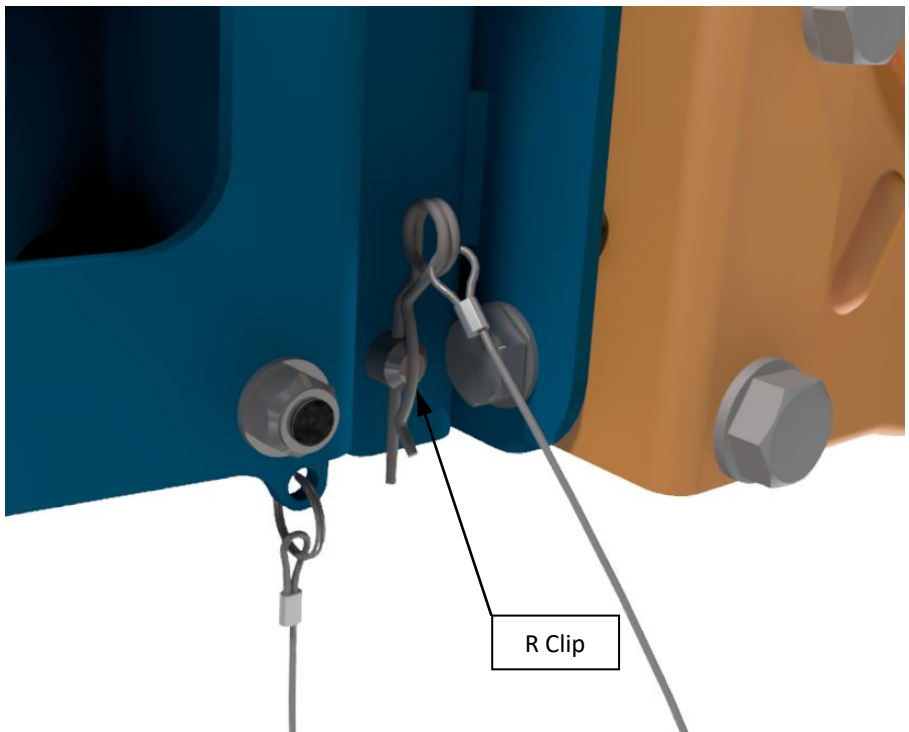


Fig.15

4.3 Setting up the Arrester Brackets

Arrester Bracket Mounting Instructions.

When setting up the accessories on the G.Davit, the operator should stand with the G.Davit between themselves and the entrance. The davit arm can be rotated to gain safe access to the pulley pins on the top of the mast and boom extension.

While fitting any brackets or equipment to the G.Davit we recommend that you wear the appropriate PPE at all times.

Unlike the G.Winch bracket, the arrester bracket is in one piece as shown in figure 16.



Fig. 16

When fitting the arrester with the G.Winch bracket already in place, make sure that the arrester bracket is below the G.Winch bracket and has at least 3 bolt holes on the mast showing between the two brackets.

Once the height of the arrester has been decided the bracket can be attached to the mast. Before installation check that the orientation of the bolt handles matches the image in figure 1 on page 3 so as to prevent the G.Winch/G.Stop/G.Saver II handles clashing during operation. Hold the bracket in one hand and offer the bracket up to the mast ensuring that the holes for the bolts are aligned correctly. With your other hand locate the bolt into the hole at the top of the bracket and push it through the mast until it can't go any further. See figure 17.

Two people may be needed to hold the bracket into position while fitting the top bolt.

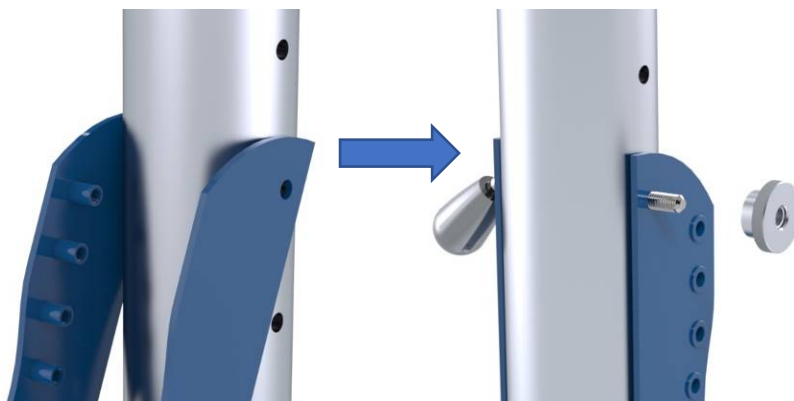


Fig.17

Now that the bolt is fully located the bracket no longer needs to be supported and the hand nut can be tightened. See figure 18.



Fig.18

Now locate the second bolt into the lower hole and tighten the hand nut.

You should now have the bracket securely attached to the mast and the arrester can now be attached to the bracket.

When attaching the arrester to the arrester bracket the operator should stand in line with the bracket with the G.Davit between themselves and the entrance. The G.Davit arm can be rotated to gain safe access to the pulley pins on the top of the mast and boom extension.

When fitting a 14mtr or 20mtr arrester, be sure to have the steel spacers in place either side of the arrester as shown in figure 19. If the 34mtr arrester is being used the spacers need to be removed and replaced with the supplied nylon spacers.

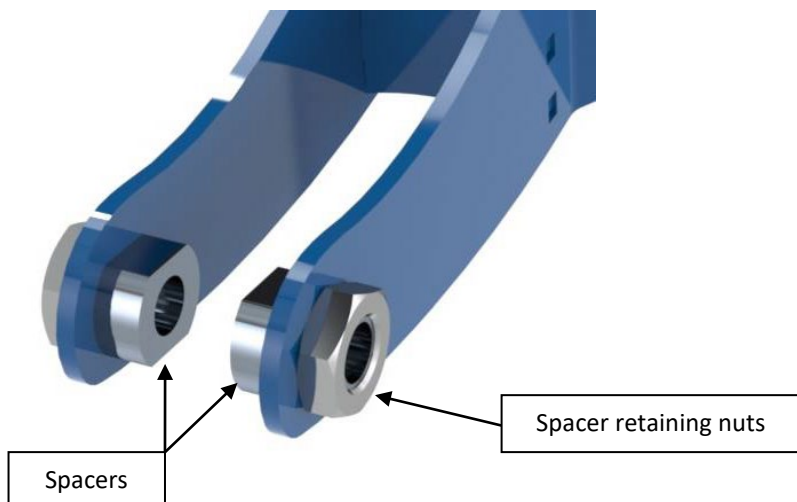


Fig.19

Although it may be possible for a single person to attach the arrester, we recommend that two people are used for safe installation and that the correct PPE is worn at all times.

Standing directly in front of the bracket, lift the arrester onto the bracket aligning the bolt hole of the bracket to the anchor bolt hole at the bottom of the arrester, as shown in figure 20.



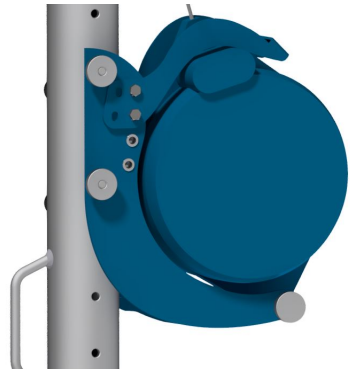
Fig.20

Once you have the arrester in place, push the bolt through the aligned bolt holes until it can't go in any further and tighten the hand nut. Once the bolt is in place and the hand nut has been tightened the top bracket can be attached to secure the arrester in the correct alignment. See figure 21.



Fig.21

While fitting the top bracket it is important to make sure that you have attached the top bracket to the main bracket using the correct bolt holes. See figure 22.



7 & 14mtr G.Saver II

Fig.22



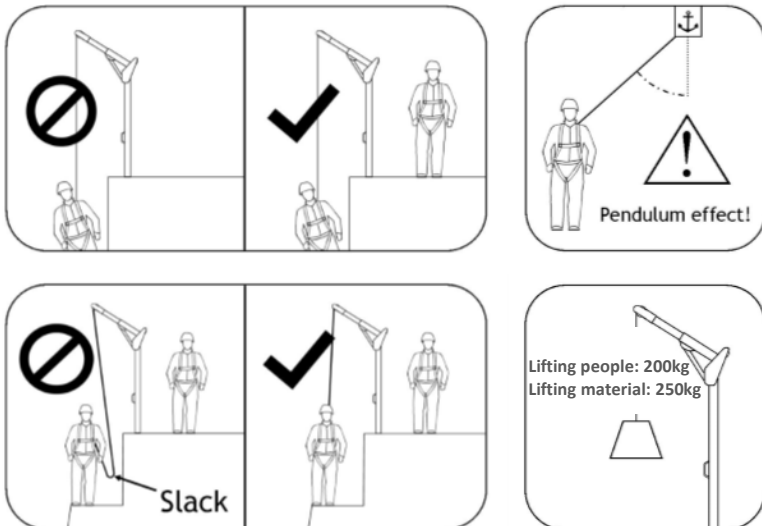
20 & 34mtr G.Saver II

Make sure the top bracket is in the correct position and is being firmly pressed down onto the arrester while tightening the attachment bolts.

While in use, the top bracket should not be removed at any time.

5. Considerations for use

- Before using the equipment, it is essential that users are fully aware of how the equipment operates and where it should be used.
- A formal risk assessment should be carried out and there should be a predetermined action plan for both use and recovery, should an emergency arise.
- The person on the rope end of the G.Davit should never be left to work alone. There must always be another person present to supervise and operate the G.Davit and the equipment used with it. Ensure there is a clear line of communication between both parties.
- Consideration should be given to operator restraint, or edge barriers to reduce the risk of falling.
- Do not allow slack cable during use. Keep the winch line taught at all times while lowering.
- Do not allow the winch or arrester rope to pass over sharp edges or electrical items/cables.
- Personnel Protective Equipment should be worn when using this equipment.
- Verify that the maximum weight to be lifted is within the maximum working load of all equipment that is to be used.



- Verify that the depth of the hole is not greater than the equipment's rope/s being used.
- This equipment must be used by at least two people, one to operate the equipment and the other on the rope end. Both the person on the rope end of the davit and the equipment operator should be adequately trained and competent. See figure 23.
- If used for personnel use, then the person on the rope end must have fall protection. A Globestock G.Saver II or a G.Stop will provide this.
- Only use the G.Davit at up to 45° from centre, see figure 24.
- Position the angle of the G.Davit to its intended operational position before attaching the cable to the harness of the operative.
- The safe working load for the lifting and lowering of people is 200kg. This 200kg limit is a combined weight and is not per person. For example; although the G.Davit is certified for lifting and lowering of two people simultaneously, the combined weight of the two people and their equipment must not be above the safe working load of 200kg.
- When using the Davit for either the lifting of people or of equipment, the combined maximum load should not exceed the safe working load. In the situation that the davit is being used for the lifting or lowering of a person and equipment, the safe working load for the lifting of people should be adhered to (200kg).
- When handling the G.Davit and accessories, always wear appropriate PPE such as gloves. Be aware of any small areas that could potentially trap fingers or pinch your skin and always check all fasteners are tight before using them to hold the product. Where possible, the G.Davit should be carried by the handle provided.
- Although the G.Davit's weight is 18kg and could, in many cases, be carried by a single person, we recommend that a risk assessment is carried out to ascertain that the person required to carry the G.Davit is able to do so without causing strain or harm. If there is any doubt, two people should be used to carry it.
- Temperature range:
It is not recommended to use the product outside the temperature range of -20°C to 50°C.
- When used correctly, there are no parts of this equipment that can propose a risk to the operator.
- This product is certified to EN795, which certifies the G.Davit and Accessories for a single user only. However further testing to PD CEN/TS 16415:2013 certifies this equipment for use by two people simultaneously.

- Ways in which the G.Davit and accessories should NOT be used:
DO NOT:
 - Alter or intentionally misuse this equipment.
 - Exceed the maximum capacity for personnel or loads.
 - Allow personnel or loads to swing.
 - Leave unattended.



Fig 23.
(Two person operation)

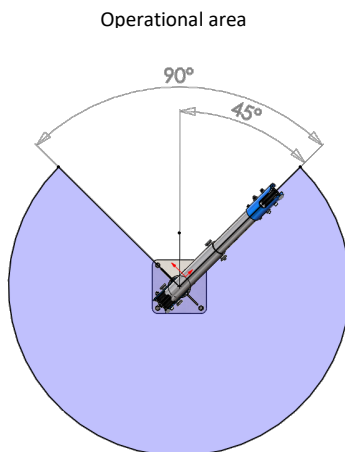


Fig 24.
(G.Davit operational area)

6. Inspection & Maintenance

The G.Davit requires regular inspection and maintenance to ensure that the unit functions safely and correctly.

Repairs or servicing should never be carried out on site or in the field, other than by Globestock-approved personnel. Do not tamper with or modify the unit.

6.1 Before Use Inspections

The G.Davit and all associated brackets need to be thoroughly inspected before each and every use.

1. Check that all threaded fasteners on the davit are present and secure.
2. Visually check that the G.Davit is structurally sound, with no significant damage to the mast, side plates, strut, boom sleeve, boom extension and shackle.
3. Ensure that the G.Davit is securely fixed into position with all adjustment pins in place and secure.
4. Should any doubt arise about the safe condition of this device DO NOT USE.

6.2 Periodic Examination (This satisfies the requirements of LOLER and BS EN 365:2004).

The G.Davit and associated winch and arrester brackets should be periodically examined by a competent person. An examination should be carried out a minimum of **once every 6 months** regardless of the frequency of use and the operating environment. The 'Examination Record' found on the rear cover of this booklet, outlines the main examination criteria. On passing this detailed inspection the examination record can be completed, signed off and the unit returned for use. Every 12 months the G.Davit and all associated brackets require a full examination, carried out by Globestock or a Globestock approved servicing agent. A full service will be carried out if it is deemed necessary at the point of the 12 monthly examination. In the event of a fall being arrested (the fall arrester being used while attached to the G.Davit) the G.Davit and brackets should be withdrawn from use immediately and returned to Globestock or a Globestock approved servicing agent for an examination/service.

If the G.Davit is being used as part of a lifting platform from which a person could fall 2 metres or more, it is not used in any position unless it has been inspected in that position or, in the case of a mobile working platform, inspected on the site, within the previous 7 days. (This satisfies the requirements of the Work at Height Regulations 2005 No. 735 Regulation 12)

6.3 Service, Test & Re-Certification

The G.Davit must undergo a full examination by Globestock or a Globestock approved agent every 12 months and if deemed necessary, receive a full service and be re-certified. Servicing should only be carried out by a Globestock approved servicing agency and should follow the inspection and servicing procedure. On completion of a service and retest, a new certificate will be issued.

6.4 Repairs

If the G.Davit needs repairing please contact your distributor or the manufacturer. No component or assembly is to be modified without written consent of the manufacturer.

6.5 Cleaning, Storage and Transportation

The G.Davit may be cleaned using warm water with a mild detergent, it should then be allowed to dry.

The unit should be stored in a clean, dry, chemical free environment.

When transporting the G.Davit, it should be boxed or retained to prevent movement, damage or deterioration. Avoid dropping the G.Davit and do not stack anything on top of it. Inspect after any period of extended storage.



Globestock Limited
Mile Oak Industrial Estate
Maesbury Road, Oswestry,
Shropshire, SY10 8GA

tel: +44 (0)1691 654966
fax: +44 (0)1691 661726
email: info@globestock.co.uk
web: www.globestock.co.uk

EC DECLARATION OF CONFORMITY

Globestock Ltd.
Mile Oak Industrial Estate
Maesbury Road
Oswestry
Shropshire SY10 8GA

Declares that the Personnel Protective Equipment described hereafter

“G.Davit & Accessories” transportable anchorage device.

Products:	G.Davit,	D200/60 & D200/80
	Adjustable Clamp Socket,	ACS
	Floor Mount Socket,	FMS
	Arrester bracket	D150-Arrester Bracket
	Winch Bracket	D150-Winch Bracket

These models are described in the manufacturer’s technical file “G.Davit & Accessories” dated 02.05.2018.

Is in conformity with the provisions of Regulation (EU) 2016/425 and with the national standard transposing harmonised standards BS EN 795: 2012 and BS EN 365: 2004.

Is in conformity with the relevant provisions of Council Directive 2006/42/EC and with standard BS EN ISO 12100 : 2010.

Is in conformity with the provisions of the Directive 2006/42/EC of the European Parliament and of the council of 17 May 2006 on machinery, and amending Directive 95/16/EC.

Is in conformity with the provisions of the PD CENT/TS 16415:2013 standards for use by more than one person simultaneously.

Is in conformity with the Regulation EU 2016 425.

Is identical to the PPE which is the subject of EU type examination certificate Number GB/18/962101 issued by:

SGS United Kingdom Ltd.
202B Worle Parkway
Weston-super-Mare, BS22 6WA
United Kingdom

is subject to the procedure set out in Article 11.A of Directive 89/686/EEC under the supervision of the notified body SGS United Kingdom Ltd., Notified Body Number 0120.

17th April 2018.
At Globestock Ltd, Oswestry, Shropshire,

Robert Elwin
Managing Director
Globestock Ltd.

Registered in England & Wales No. 01641128 VAT Registration No. 372 3950 43

ENGINEERING PROTECTION SINCE 1982

