

INFO

For the transport of loads above persons (e.g. on construction sites) appropriate security measures against falling loads or parts must be taken.

The load must not exceed the fork length.



Crane forks model TKG vhs

Capacity 200 - 5000 kg

These crane forks are equipped with adjustable tines, height adjustability and an automatic balancing system. Crane forks with automatic balancing* tend to point their tines upward when being transported. This prevents the load from unintentionally slipping off the tines.

The shackle is movable and runs on a track depending on the load. The automatic balancing engages by a pressurized gas spring once the forks are loaded. The load will always be in the center of gravity of the forks, ensuring a safe transport.

***The automatic balancing system requires a minimum load of 20% of the crane forks' working load limit!**

Features

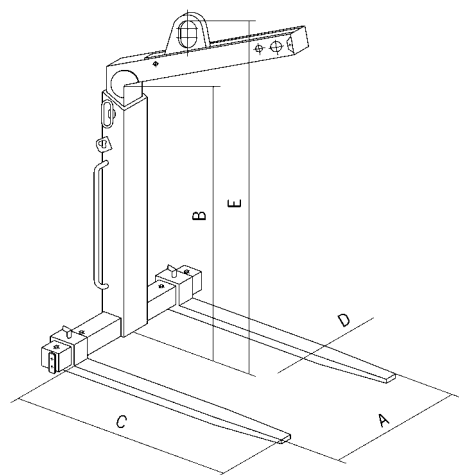
- All crane forks comply with the latest standards and CE-directives.
- Safety factor 4:1
- Maintenance-free
- Highly visible safety colour
- For the transport of rings or coils, the fork tines are simply pushed together.
- Easily adjustable tines for all pallet sizes.

Scope of delivery

Chain for load securing

Technical data model TKG vhs

Model	EAN-No. 4025092*	Capacity kg	Weight kg
TKG 1,0 vhs	*552233	200 - 1000	128
TKG 1,5 vhs	*551113	300 - 1500	158
TKG 2,0 vhs	*550666	400 - 2000	203
TKG 3,0 vhs	*551090	600 - 3000	260
TKG 5,0 vhs	*554794	1000 - 5000	413



Dimensions model TKG vhs

Model	TKG 1,0 vhs	TKG 1,5 vhs	TKG 2,0 vhs	TKG 3,0 vhs	TKG 5,0 vhs
Adjustment of tines A, mm	350 - 900	350 - 900	400 - 900	450 - 900	500 - 1000
Usable height B, mm	1100 - 1600	1300 - 2000	1300 - 2000	1300 - 2000	1300 - 2000
Length of tines C, mm	1000	1000	1000	1000	1000
Section of tines D, mm	100x30	100x40	120x40	120x50	150x60
Overall height E, mm	1420 - 1920	1650 - 2350	1655 - 2355	1720 - 2420	1710 - 2410