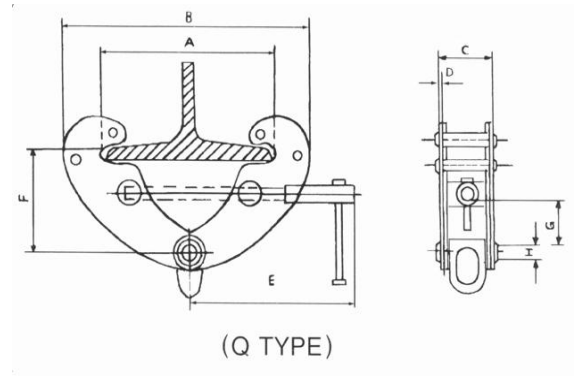


Beam Clamps



- ◆ Adjustable beam clamp
- ◆ Pivoting eye to attach a hoist
- ◆ Easily adjustable to fit most beams by turning central threaded adjusting bar

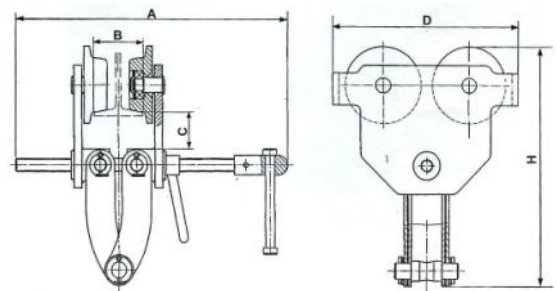


Product Code	Capacity Tonnes	Adjustable Beam width (mm)	A Max	B		C	D	E	F		G Min	H	Weight (kgs)
				Min	Max				Min	Max			
BC1T	1	75-230	270	183	375	66	4	210	165	102	25	20	4.4
BC2T	2	75-230	270	183	375	74	6	210	165	102	25	20	5.1
BC3T	3	70-320	365	240	520	103	8	258	225	135	45	22	10.5
BC5T	5	70-310	365	240	520	111	10	258	225	135	45	28	17
BC10T	10	80-320	365	250	520	120	12	280	230	160	50	38	19

Trolley Clamp



- ◆ Adjustable beam trolley clamp
- ◆ Easily adjustable to fit most beams by turning central threaded adjusting bar
- ◆ Locking lever secures the adjustment.



Product Code	Capacity (tonnes)	Dimensions				
		A	Beam Width (B)	C	D	H
TC1T	1	340	63-203	25.4	175	263-324
TC2T	2	340	76-203	25.4	280	339-387
TC3T	3	345	76-203	26	345	374-438
TC5T	5	465	100-305	31	395	450-528
TC10T	10	488	127-305	60	470	546-611