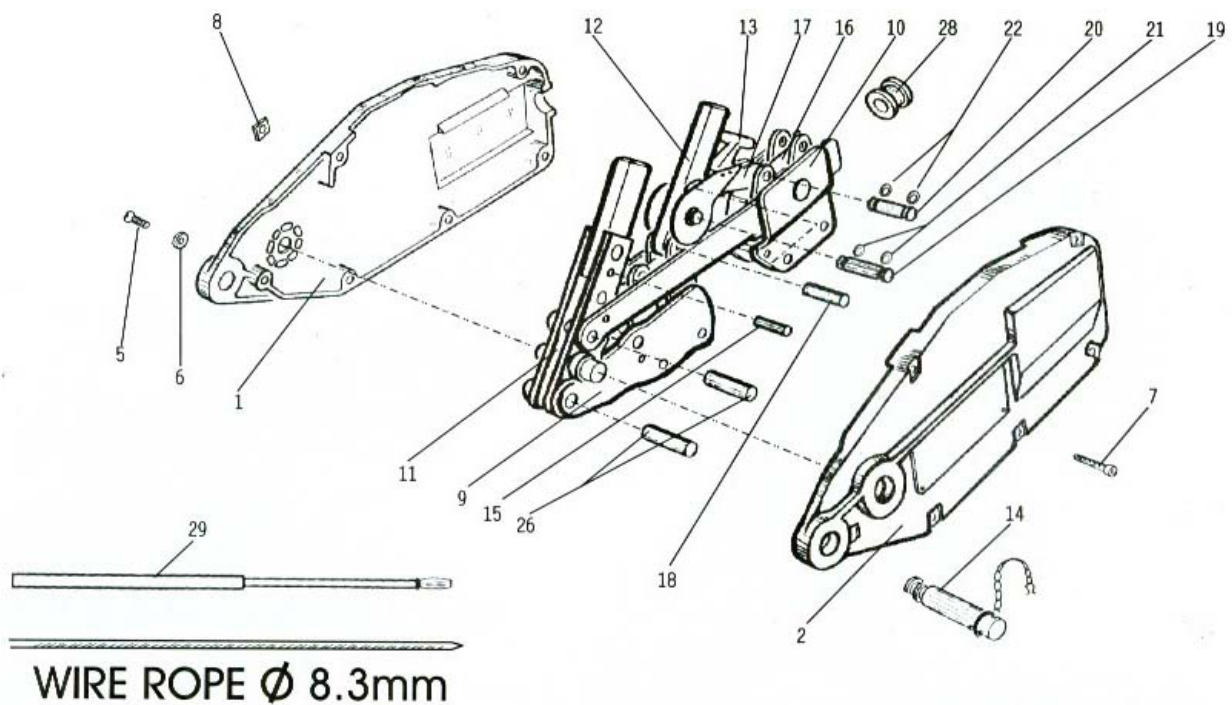


## Wire Rope Winch 800kg Parts Breakdown

Product Code: WRW800



- |                     |                                 |                    |
|---------------------|---------------------------------|--------------------|
| 1. Left Side Plate  | 11. Relaxed Connecting Rod Axle | 21. Clip           |
| 2. Right Side Plate | 12. Forward Handle              | 22. Clip           |
| 3. Handle           | 13. Release Handle              | 23. Shake Rod      |
| 4. Rivet            | 14. Anchor Pin                  | 24. 5th Pin        |
| 5. Screw            | 15. Safety Pin                  | 25. Connecting Rod |
| 6. Lock Washer      | 16. Upper Grip Jaw              | 26. Crank Axle     |
| 7. Hex-Bolt         | 17. Connecting Rod              | 27. Stay Pin       |
| 8. Hex-Nut          | 18. 2nd Pin                     | 28. Guide Tube     |
| 9. Front Jaw Block  | 19. 3rd Pin                     | 29. Tube Handle    |
| 10. Back Jaw Block  | 20. 4th Pin                     |                    |