

**DESIGNATED USE**

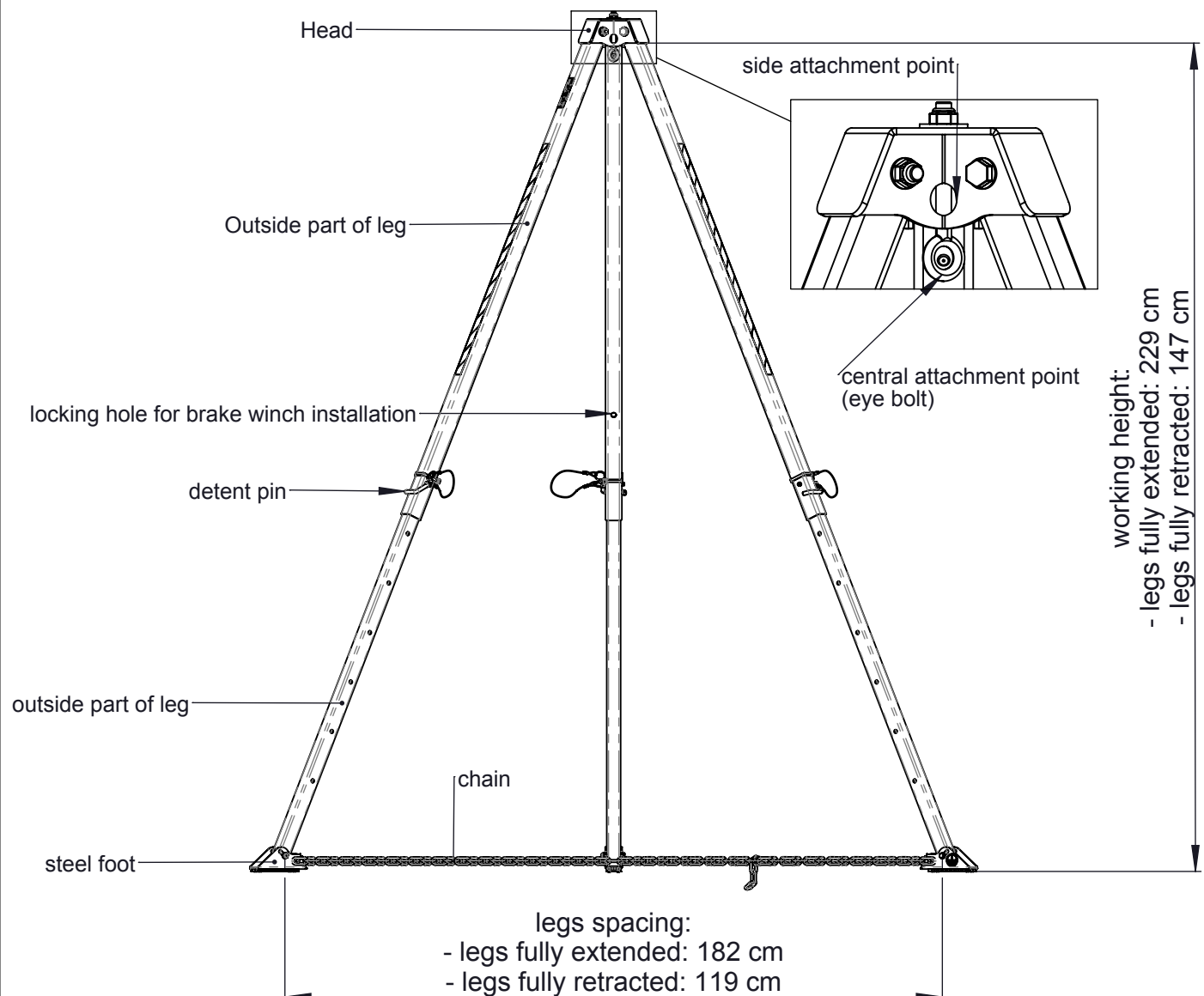
TM 9-T lifting tripod is designed for lifting and lowering loads weighing up to 500 kg.

**TECHNICAL DATA**

- working load limit: 500 kg
- approved for use in potentially explosive areas (according to PN-EN 05201, PN-EN 05204)
- working height
  - legs fully extended: 229 cm
  - legs fully retracted: 147 cm
- legs spacing
  - legs fully extended: 182 cm
  - legs fully retracted: 119 cm
- weight: 16,5 kg
- shipping dimensions: 180x24x24 cm

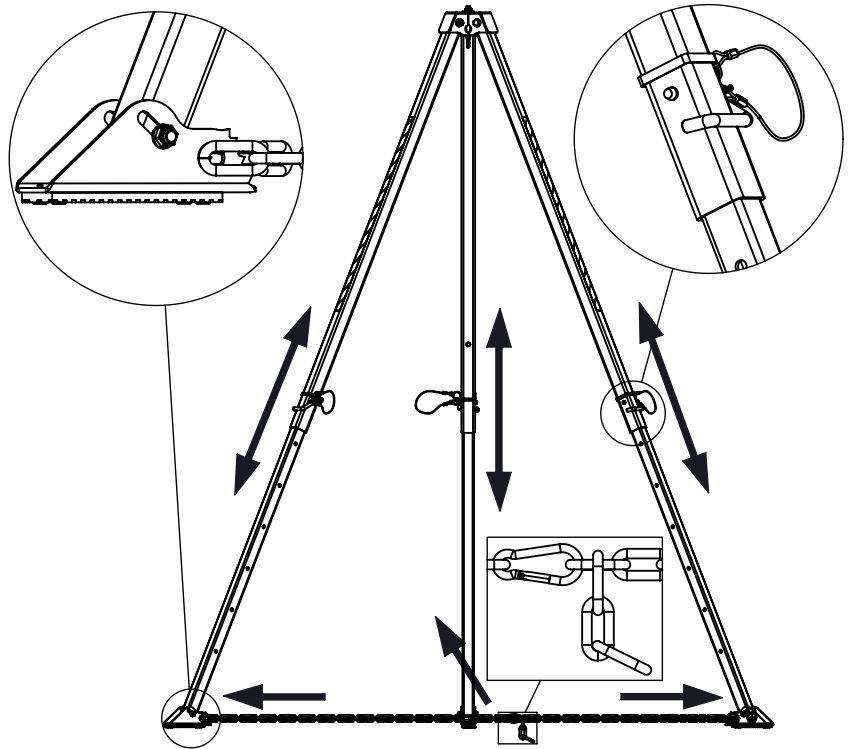
**BASIC EQUIPMENT**

- head - made of zinc-plated painted steel
- attachment points - one central attachment point (eye bolt), 3 side attachment points (holes), located in the head's walls.
- legs - made of reinforced aluminium with rounded edges. The telescopic construction allows the user to adjust their length. To adjust the leg's length locking pin are used. The legs of the tripod are equipped with self-aligning steel feet with rubber pads. The feet have anti-slip "teeth" used when positioning the tripod on a slippery (e.g. icy) surface.
- chain - leg chain is supplied to minimize horizontal forces and prevent the legs spreading and collapsing. The chain can be replaced by a special webbing sold only with the tripod.



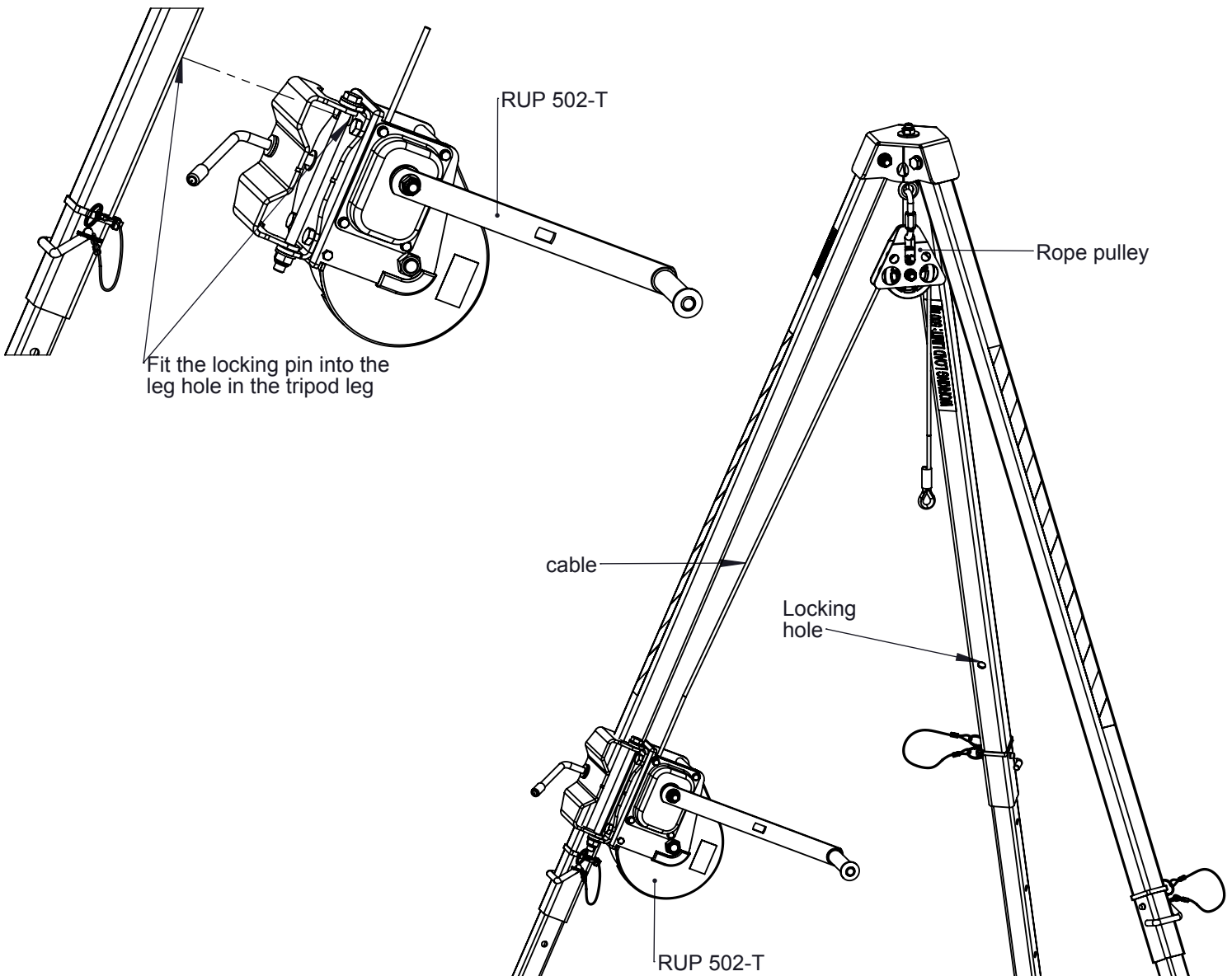
## INSTALLING A TRIPOD

- Place the tripod on a flat, stable and hard surface. Pull out the tripod legs to the desired length and lock with the locking pin.
- Set the tripod in an upright position and fully spread the legs.
- Make sure the feet are on firm ground and can support the load.
- Adjust the length of the legs so that the head is located in the horizontal plane.
- The legs must always have the same length.
- The tripod should be positioned over opening so working line will be located approximately in the center of the opening.
- Make sure that locking pins are properly secured the end of the locking pin must protrude above the surface of the tripod legs.
- Secure the tripod legs with the chain against the accidental sliding open. The ends of the chain must be fastened with a snap hook. The chain should be tight between the legs of the tripod. Remove excess slack of the chain.
- To collapse tripod, pull legs down and swing leg in.



## INSTALLING BRAKE WINCH

The tripod can be used with RUP 502-T brake winch. RUP 502-T should be installed on the tripod legs. The grip of the RUP 502-T should be fastened on the locking hole situated on the inner wall of the outside part of leg. The cable should be guided through rope pulley attached to the central attachment point or one of side attachment points. For proper and safe installation and use of the RUP502-T follow its instruction manual.



## TRIPOD LOAD CARRYING CAPACITY

The load hoisted by the TM 9-T tripod may be connected to one of the attachment points, which are located in the tripod head. Maximum operating load carrying capacity of the TM 9-T is 500 kg.

## TRANSPORT

The tripod should be transported in packaging protecting it from damage or getting wet, e.g. bags made of impregnated fabric or in steel / plastic / waterproof wooden cases or boxes.

## MAINTENANCE AND STORAGE

When using the tripod, protect it against mechanical, chemical and thermal damage. Do not use a damaged or malfunctioning tripod. Clean a dirty tripod with a damp cloth. Store the tripod indoors, away from moisture and sources of heat.

## THE ESSENTIAL SAFETY RULES AND ESSENTIAL PRINCIPLES OF USE

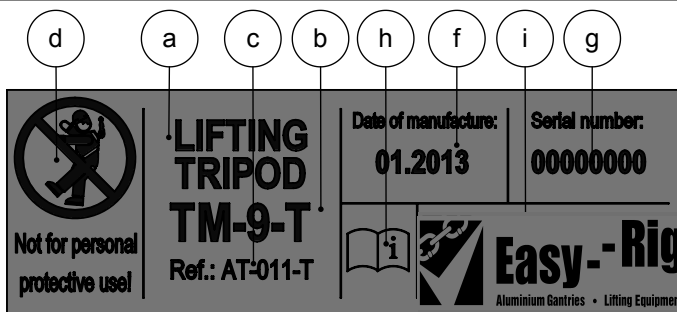
- Tripod is used for lifting and lowering loads weighing up to 500 kg.
- The is not an emergency device for lifting people and it should not be used for this purpose.
- Do not use a tripod contrary to its intended use.
- Do not lift loads over an area occupied by people.
- Do not change the tripod's design, repair or replaceable elements included in the kit.
- Before each use of the tripod, carry out thorough inspection to check the tripod's condition and proper operation. Carefully check all elements of the tripod, paying particular attention to any damage, excessive wear, corrosion, abrasion, cuts and malfunction.
- At least once a year, after 12 months of use the tripod should be withdrawn from use for a detailed interim inspection. The inspection can be carried out by the person responsible in the workplace for the interim inspections of the protective equipment and trained for this purpose. Periodic inspections can also be carried out by the equipment manufacturer or a person or a company authorized by the manufacturer.
- The tripod must be immediately withdrawn from use if there is any doubt about the condition of the device or its operation. The device may be readmitted for use only after a manufacturer's detailed inspection, and manufacturer's written consent for its use.
- Position a tripod on a flat, hard and stable surface, free of loose materials, such as rocks, debris etc.
- Check the stability of the load attached to the cable, on which it is hoisted, to prevent accidental detachment of any of the elements.
- The use of the tripod with other devices (such as devices for lifting and lowering loads) must be in accordance with the instruction for use of these devices.
- It is forbidden to use the kits in which the tripod is included, in which the operation of any component disrupts the operation of other components.
- In case of any doubts as to the condition and usage of the tripod, please contact the manufacturer of the device.

## GENERAL PRECAUTIONS FOR TM 9-T

- While working, pay attention to the chain, which fastens the tripods legs, as it can cause accidental tripping of the worker!
- The tripod must never be used without the leg chain (or the webbing) in place.
- Avoid working where user may swing and hit an object or where lines may cross or tangle with that of another worker in the area.

**CONTENT OF THE IDENTITY LABEL**

- a) Device type.
- b) Model symbol.
- c) Reference number.
- d) Equipment only for lifting loads - notice.
- f) Month and year of manufacture.
- g) Serial number of the tripod.
- h) Caution: read the manual.
- i) Marking of the manufacturer or distributor of the tripod.



**IDENTITY CARD**

IT IS RESPONSIBILITY OF THE USER ORGANISATION TO PROVIDE THE IDENTITY CARD AND TO FILL IN THE DETAILS REQUIRED. THE IDENTITY CARD SHOULD BE FILLED IN ONLY BY COMPETENT PERSON RESPONSIBLE FOR PROTECTIVE EQUIPMENT. THE IDENTITY CARD SHOULD BE FILLED IN BEFORE THE FIRST USE OF THE EQUIPMENT. ANY INFORMATION ABOUT THE EQUIPMENT LIKE: PERIODIC INSPECTIONS, REPAIRS, REASONS OF EQUIPMENT'S WITHDRAWN FROM USE SHALL BE NOTED. THE IDENTITY CARD SHOULD BE STORED DURING A WHOLE PERIOD OF EQUIPMENT UTILIZATION. DO NOT USE THE EQUIPMENT WITHOUT THE IDENTITY CARD.

MODEL AND TYPE OF EQUIPMENT	
REF. NUMBER	
SERIAL NUMBER	
DATE OF MANUFACTURE	
DATE OF PURCHASE	
DATE OF FIRST USE	
USER NAME	

**PERIODIC EXAMINATION AND REPAIR HISTORY**

	DATE	REASON FOR SERVICING / REPAIR	REPAIRS CARRIED OUT	NAME AND SIGNATURE OF COMPETENT PERSON	DATE OF NEXT EXAMINATION
1					
2					
3					
4					
5					
6					
7					
8					
9					